



Explanation of Part Number

WPIANT UGM L R1 200 06 A1
 (1) (2) (3) (4) (5) (6) (7)

Example configuration above:
 UGM: Under Glass Mount
 L: 900MHz / 2.4 GHz
 R1: RG178 cable
 200: 200mm long
 06: RA MMCX connector
 A1: Revision A1



UGM Wraparound Flexible Antenna

Note: See last page of datasheet for part number configuration options

Application

The WPIANTUGM series antenna is typically used in commercial and industrial (C&I) as well as Residential solid state electric meter automated meter reader applications that use the ISM 900MHz, 2.4GHz or WAN GSM850/1900 or GSM900/1800MHz bands. It's ultra-low profile and flexible circuit dipole construction enables high performance efficiency numbers (installed in meter) typically in excess of 60%.

WP Wireless can assist your engineers with ensuring the optimum mounting position for these antennas on your application and are experienced in trouble shooting system integration issues such as TRP/TIS and FCC requirements. Please contact sales@wp-wireless.com with your specific application requirements.

Electrical Properties

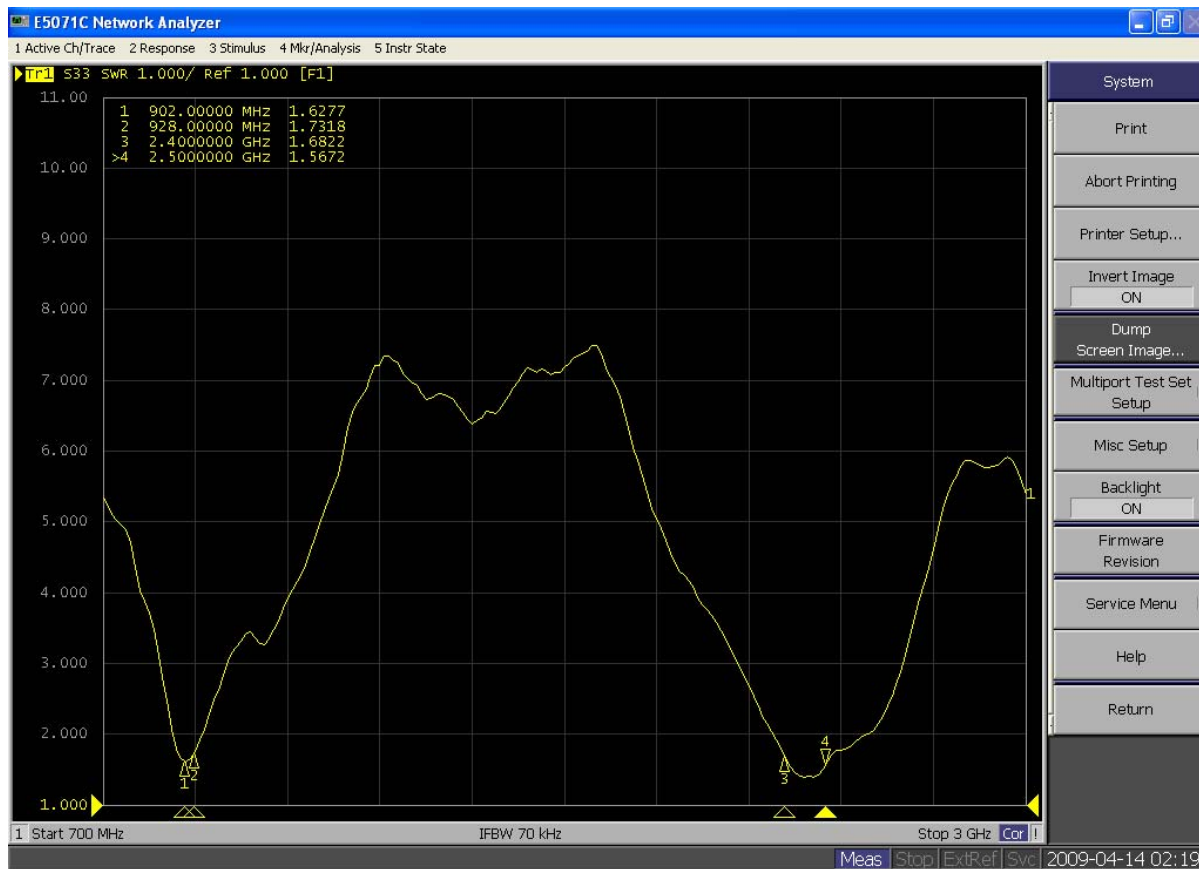
Parameter	Frequency Code: L	
	ISM 915 MHz	ISM 2.4 GHz
Operating Frequency [GHz]	902 ~ 928MHz	2.40 ~ 2.50GHz
Nominal Impedance [Ω]	50 Ohms	
VSWR	2.0:1	2.0:1
Peak Gain [dBi] (Typical)	3.0dBi	3.0dBi
Efficiency (in %)	60%	60%
Polarization	Linear	
Pattern	Omni-Directional	
Accepted Power [W] (Max)	2 watts (+33dBm)	



Mechanical/Environmental Properties

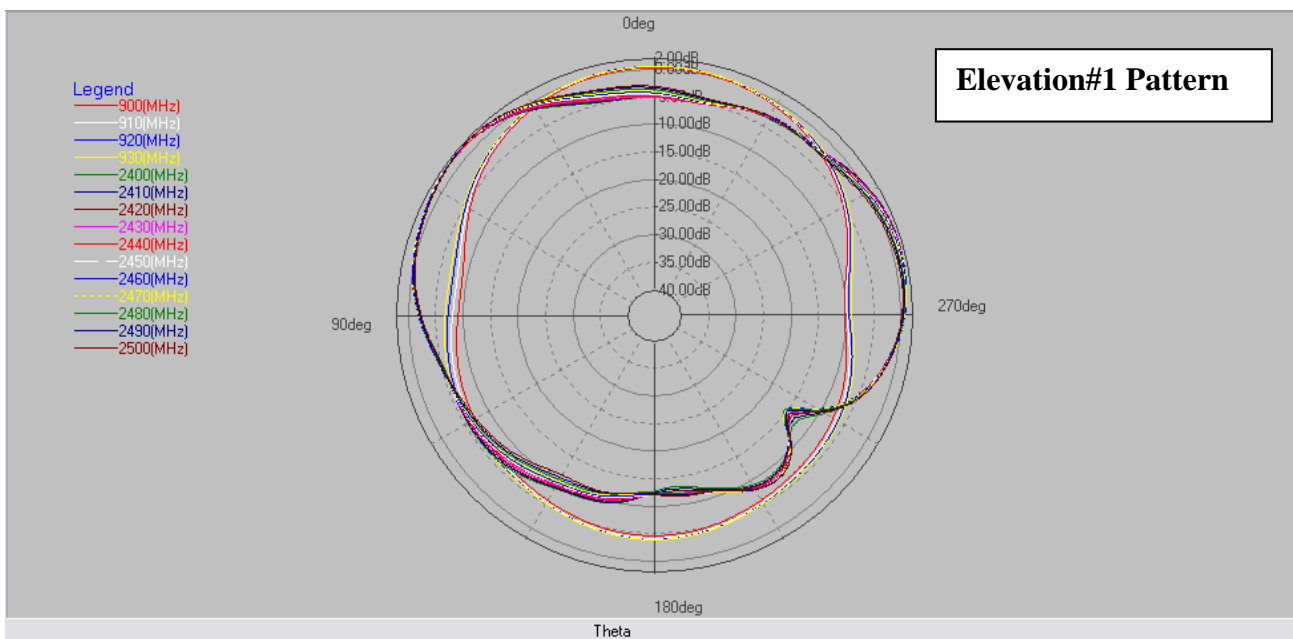
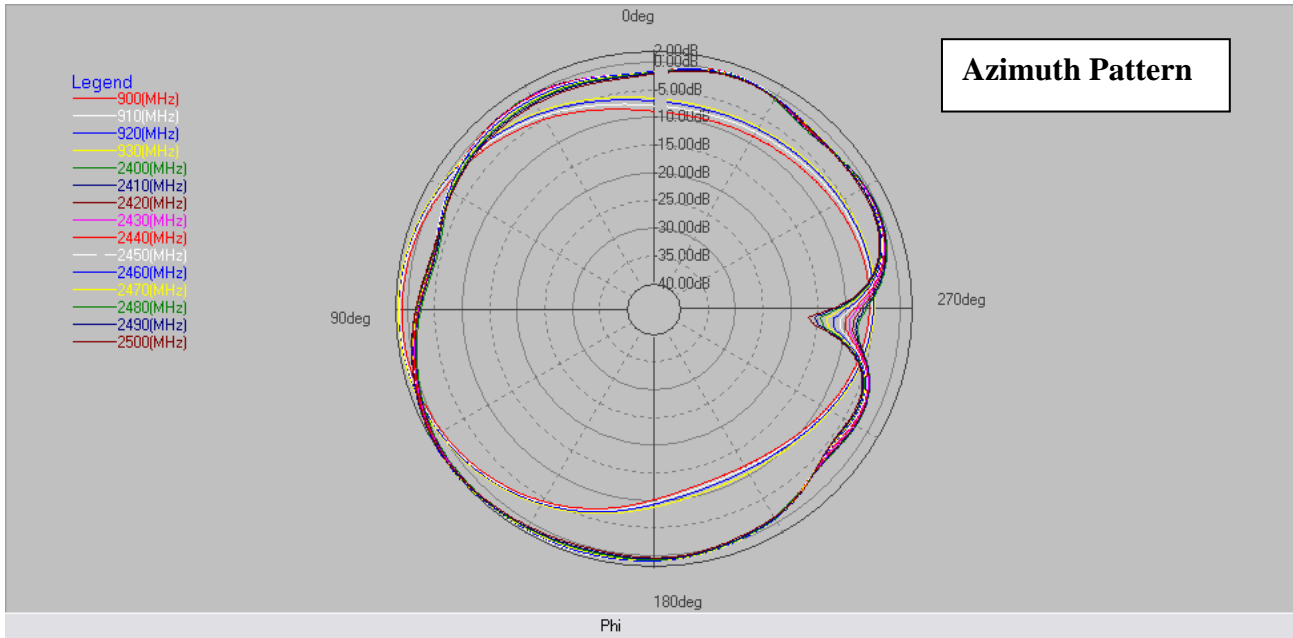
Item	Value
PCB	UL 94-V compliant
Operating / Storage Temperature	-30°C to +80°C
Hazardous Materials	RoHS compliant

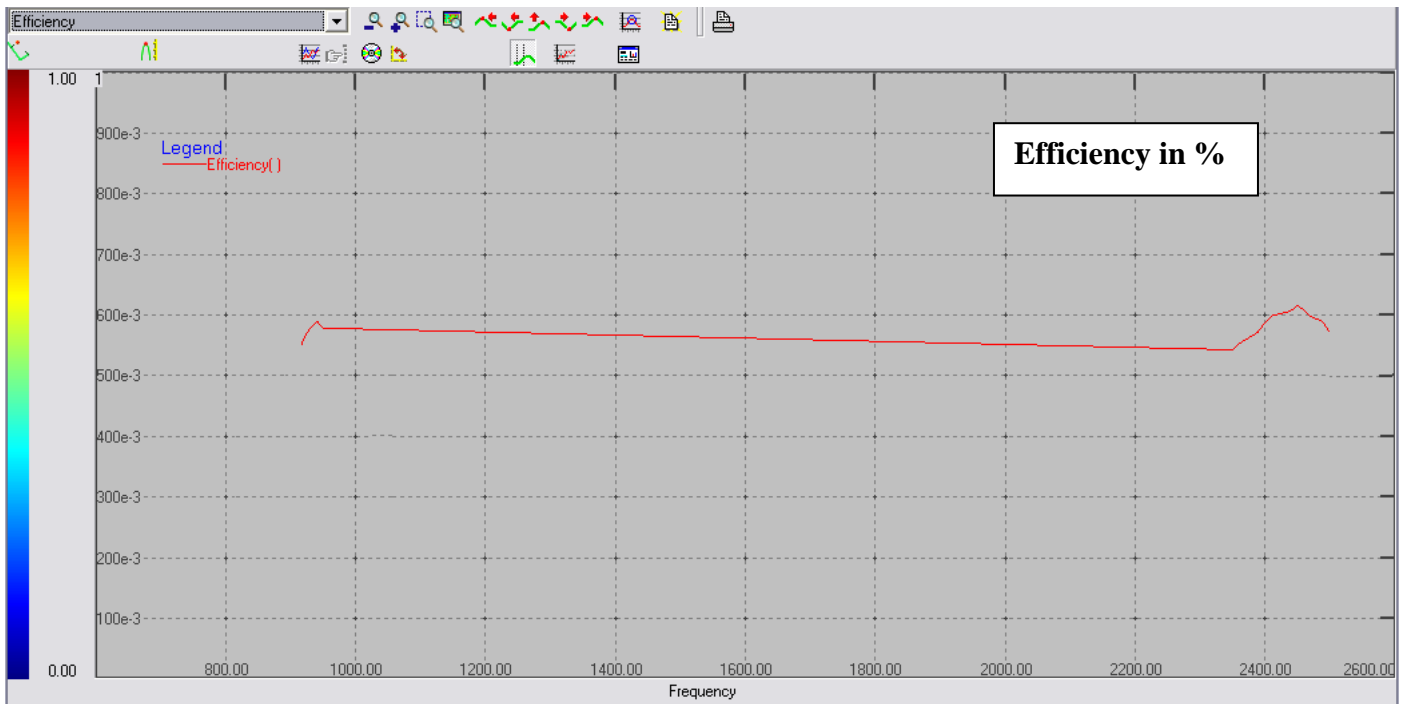
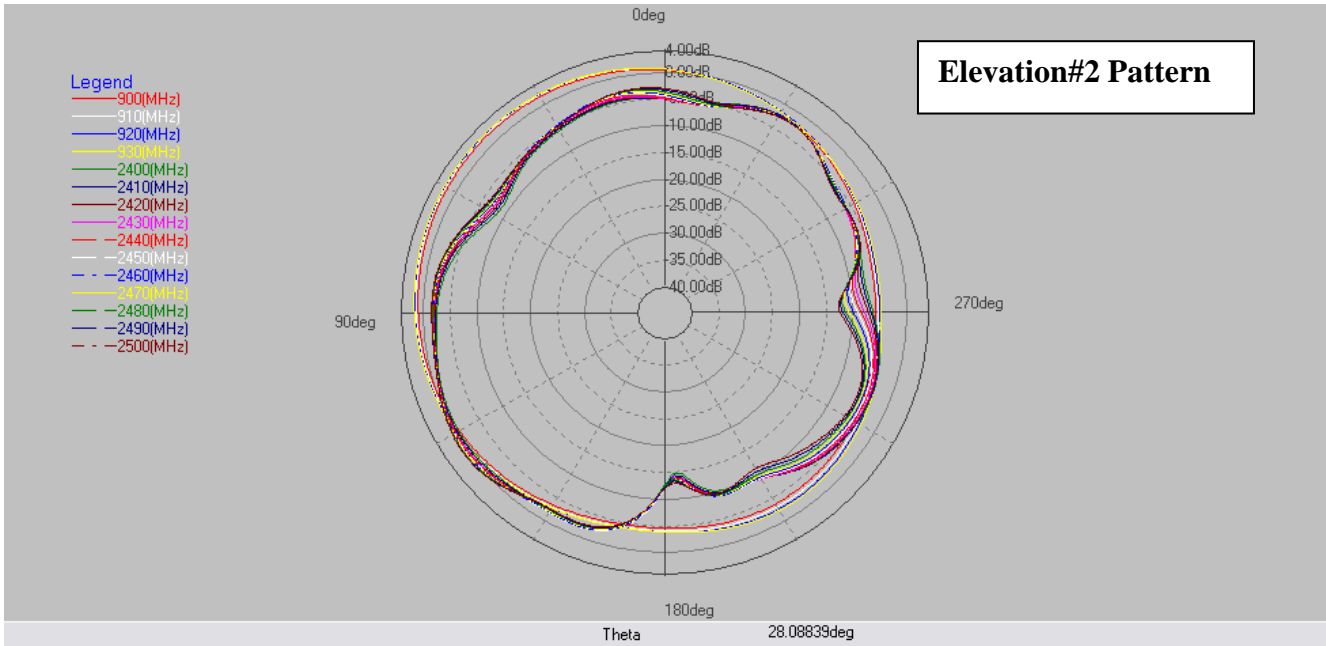
Typical VSWR (Mounted on meter)





Typical 2D Gain Patterns & Efficiency plot (Mounted on meter)







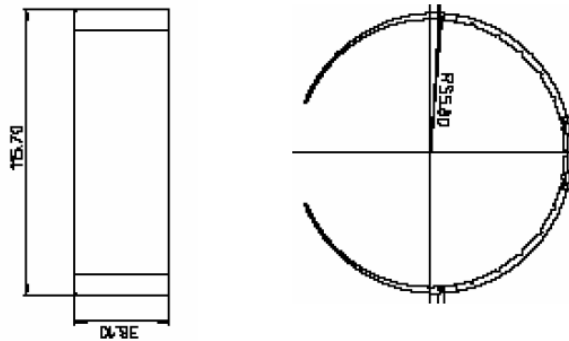
WP WIRELESS

PIONEERING TECHNOLOGY
Enabling Your First to Market Vision

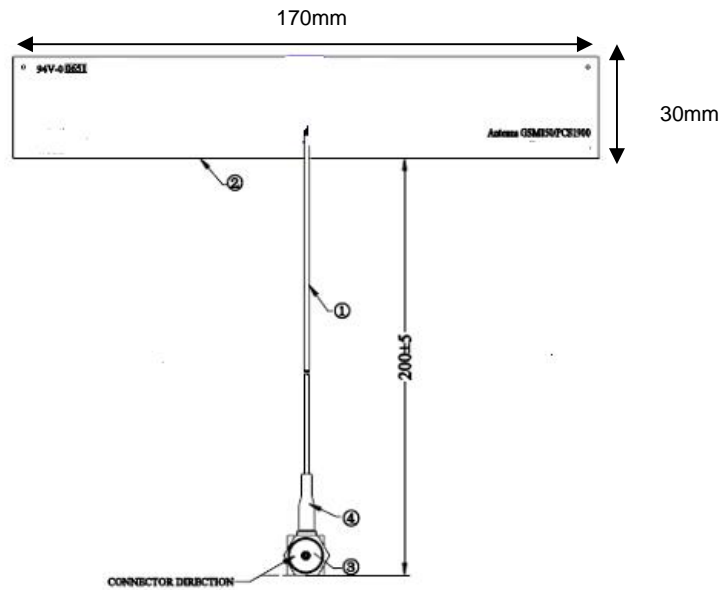
WPIANTUGMLR120006A1

AMR Wraparound Under Glass Mount Antenna

Antenna Installation on a typical meter – Wrapping around the meter, under the top cover



PCB Assembly/Dimensions





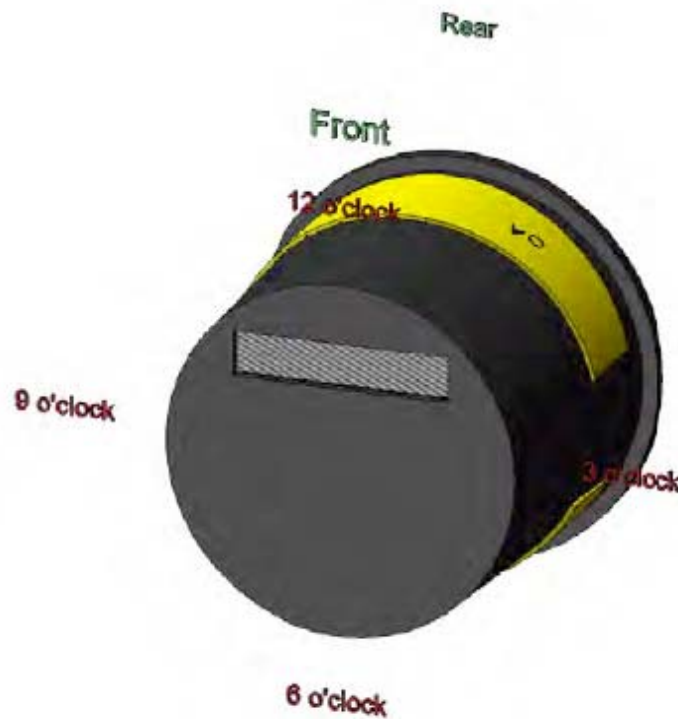
WP WIRELESS

PIONEERING TECHNOLOGY
Enabling Your First to Market Vision

WPIANTUGMLR120006A1

AMR Wraparound Under Glass Mount Antenna

Typical Mounting Location On Meter





Part Number Configuration Guide

WPIANT UGM L R1 200 06 A1
 (1) (2) (3) (4) (5) (6) (7)

Above example= **UGM**; Under Glass Mount (with radome/housing), **F**;GSM 850/1900, **R1**; RG178 cable, **200**; 200mm long, **06**; RA MMCX connector, **A1**; revision A1

(1) Product Type

WPIANT: Antenna

(2) Product Series

UGM: Under Glass Mount Antenna

(3) Frequency Code

- A: 900MHz ISM band (902~928MHz)
- B: 2.45GHz ISM band (2.40~2.50GHz)
- E: GSM900/DCS1800 dual band (880~960MHz + 1710~1880MHz)
- F: GSM850/PCS1900 dual band (824~894MHz + 1850~1990MHz)
- G: GSM850/900/1800/1900 quad band (E+F frequency codes combined)*
- L: 900MHz / 2.4 GHz ISM band (902~928MHz + 2.4~2.5 GHz)

(4) Cable type

- R1: RG178
- R2: 1.13mm OD micro-coaxial
- R3: 1.30mm OD micro-coaxial

(5) Cable Length

XXX: 3 digits in mm (eg: 200= 200mm long)

(6) Connector Style

- | | |
|-----------------------------|--------------------------|
| 00: No connector (pig tail) | 08: IPEX MHF (version 1) |
| 01: TNC | 09: BNC |
| 02: R TNC | 10: Hirose U.FL |
| 03: RA SMA (male) | 11: MMCX (male) |
| 04: SMA (male) | 12: MCX |
| 05: RA MCX | 13: SMA (female) |
| 06: RA MMCX (male) | 14: RA SMA (female) |
| 07: RA SMA (female) | |

(7) Revision

A1 – Revision A, update1

SPECIFICATION

Electrical Specifications	
Frequency Range	890-960MHz/1710-1880MHz
VSWR	≤3.0
Input Impedance	50Ω
Gain	≥5dBi
Polarization	Vertical
Maximum Input Power	50W
Connector Type	SMA -Male
Lightning Protection	DC ground
Mechanical Specifications	
Height	230mm
Weight	85g
Cable length	5m
Antenna Color	Black
Working Temperature	-40~60 C

