



**Explanation of Part Number**

WPIANT    UGM    L    R1    200    06    A1  
 (1)        (2)    (3)    (4)    (5)    (6)    (7)

Example configuration above:  
 UGM: Under Glass Mount  
 L: 900MHz / 2.4 GHz  
 R1: RG178 cable  
 200: 200mm long  
 06: RA MMCX connector  
 A1: Revision A1



UGM Wraparound Flexible Antenna

Note: See last page of datasheet for part number configuration options

**Application**

The WPIANTUGM series antenna is typically used in commercial and industrial (C&I) as well as Residential solid state electric meter automated meter reader applications that use the ISM 900MHz, 2.4GHz or WAN GSM850/1900 or GSM900/1800MHz bands. It's ultra-low profile and flexible circuit dipole construction enables high performance efficiency numbers (installed in meter) typically in excess of 60%.

WP Wireless can assist your engineers with ensuring the optimum mounting position for these antennas on your application and are experienced in trouble shooting system integration issues such as TRP/TIS and FCC requirements. Please contact [sales@wp-wireless.com](mailto:sales@wp-wireless.com) with your specific application requirements.

**Electrical Properties**

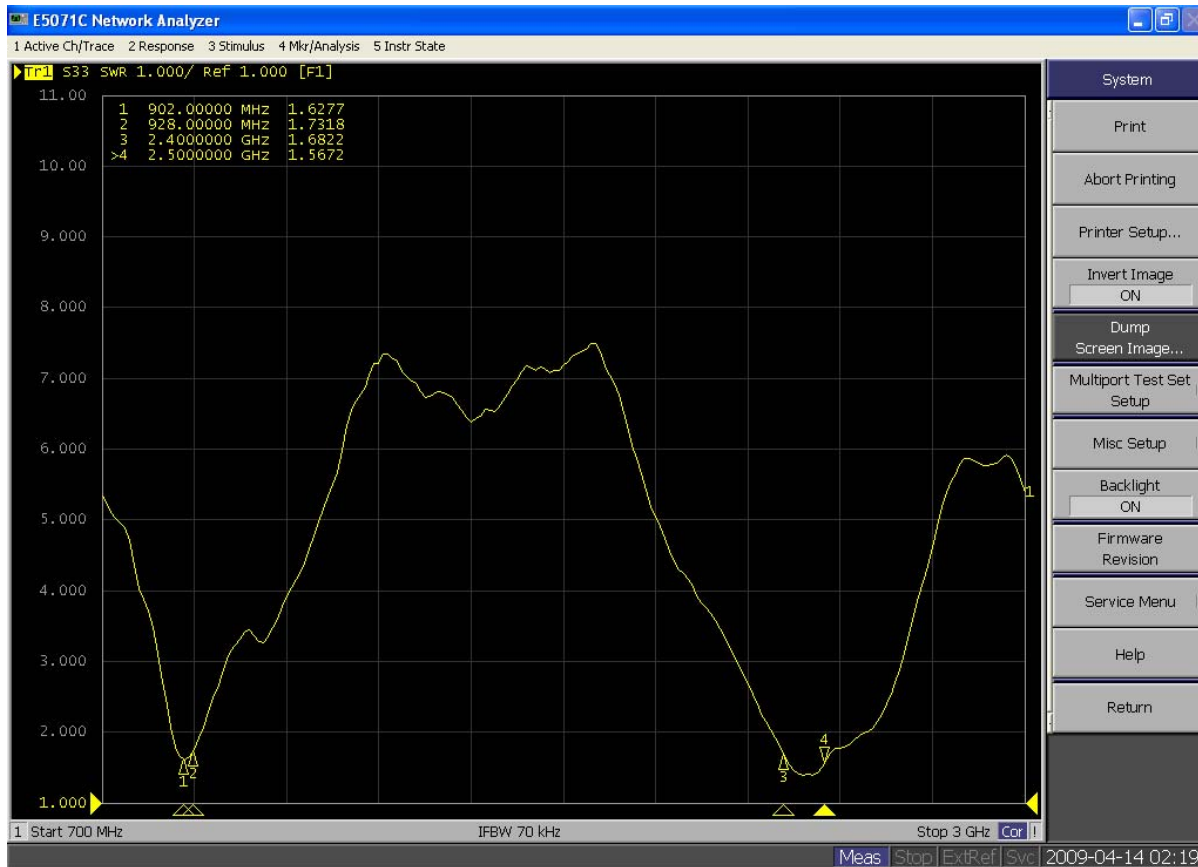
Parameter	Frequency Code: L	
	ISM 915 MHz	ISM 2.4 GHz
Operating Frequency [GHz]	902 ~ 928MHz	2.40 ~ 2.50GHz
Nominal Impedance [ $\Omega$ ]	50 Ohms	
VSWR	2.0:1	2.0:1
Peak Gain [dBi] (Typical)	3.0dBi	3.0dBi
Efficiency (in %)	60%	60%
Polarization	Linear	
Pattern	Omni-Directional	
Accepted Power [W] (Max)	2 watts (+33dBm)	



**Mechanical/Environmental Properties**

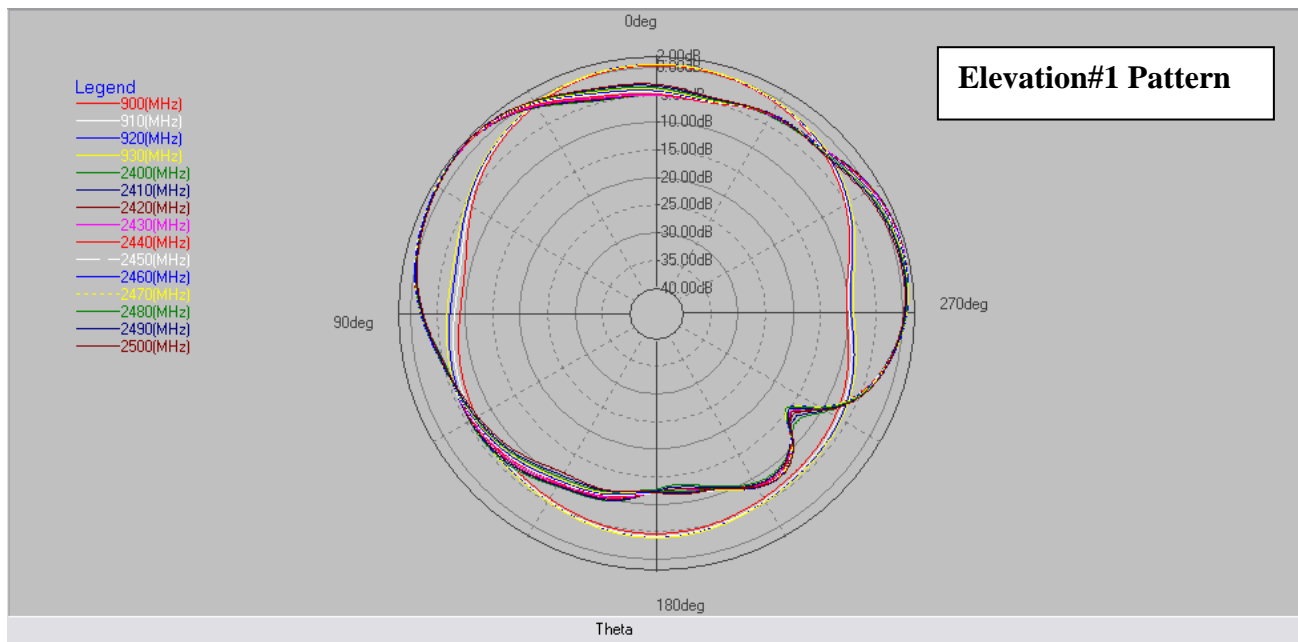
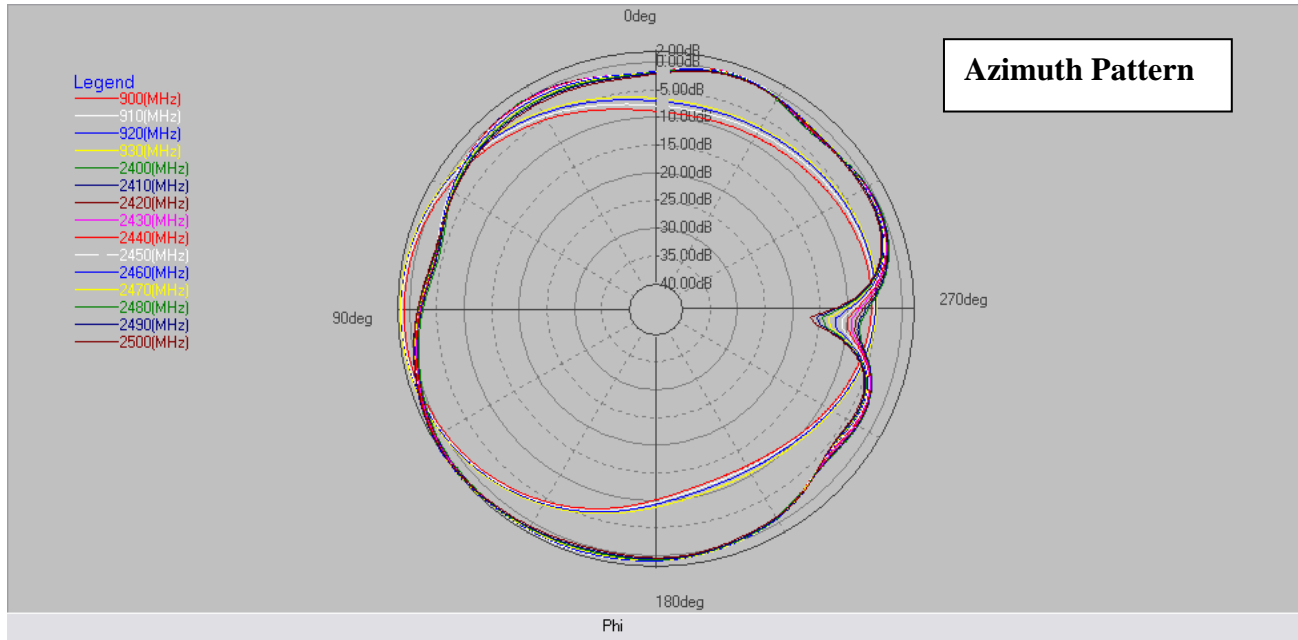
Item	Value
PCB	UL 94-V compliant
Operating / Storage Temperature	-30°C to +80°C
Hazardous Materials	RoHS compliant

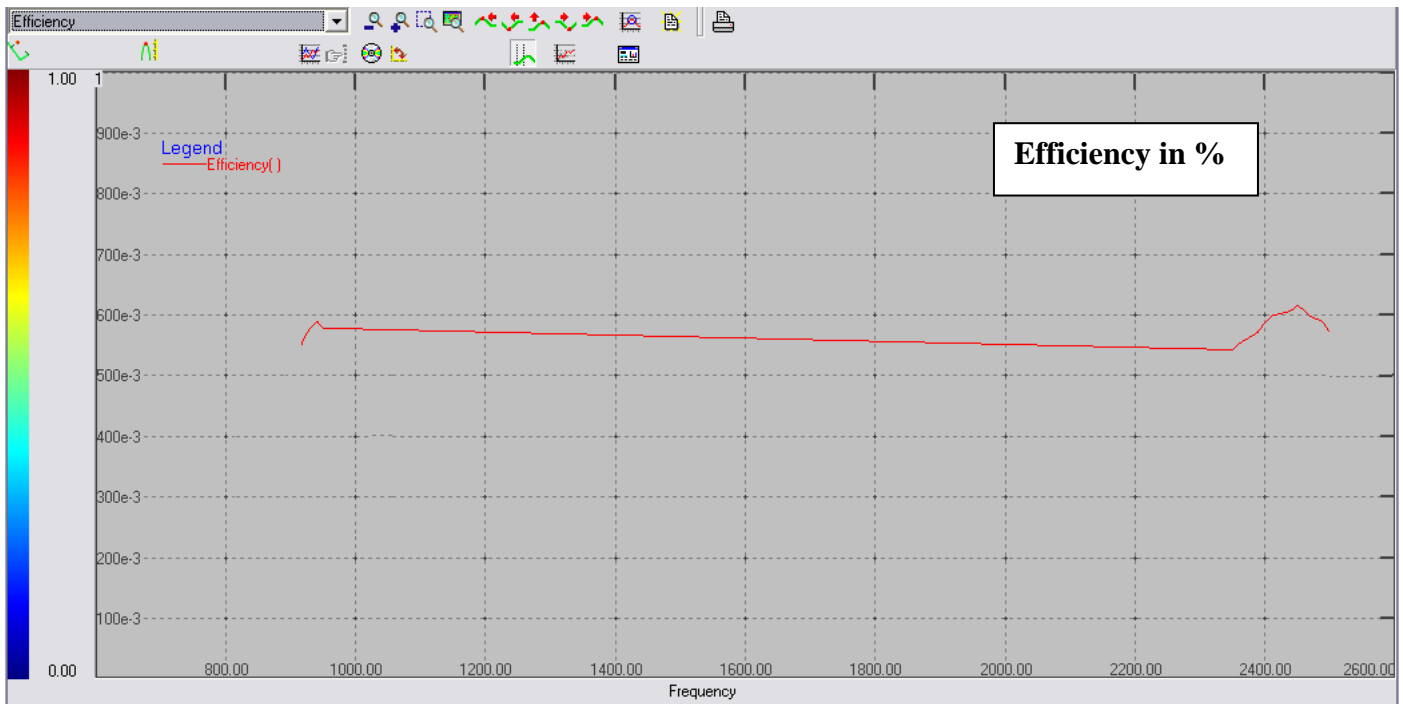
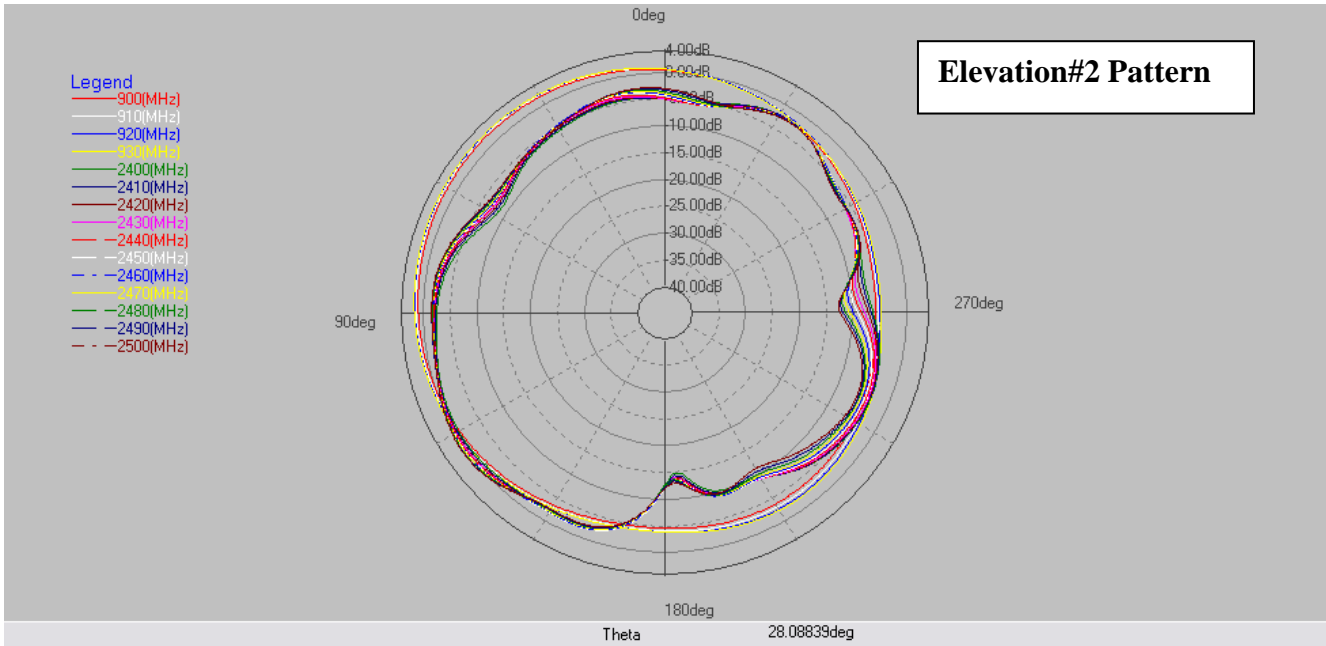
**Typical VSWR (Mounted on meter)**





**Typical 2D Gain Patterns & Efficiency plot (Mounted on meter)**







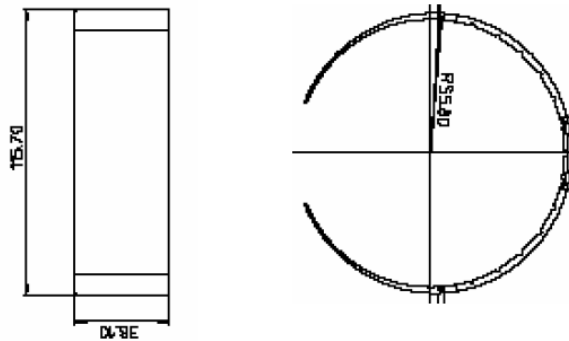
**WP WIRELESS**

**PIONEERING TECHNOLOGY**  
Enabling Your First to Market Vision

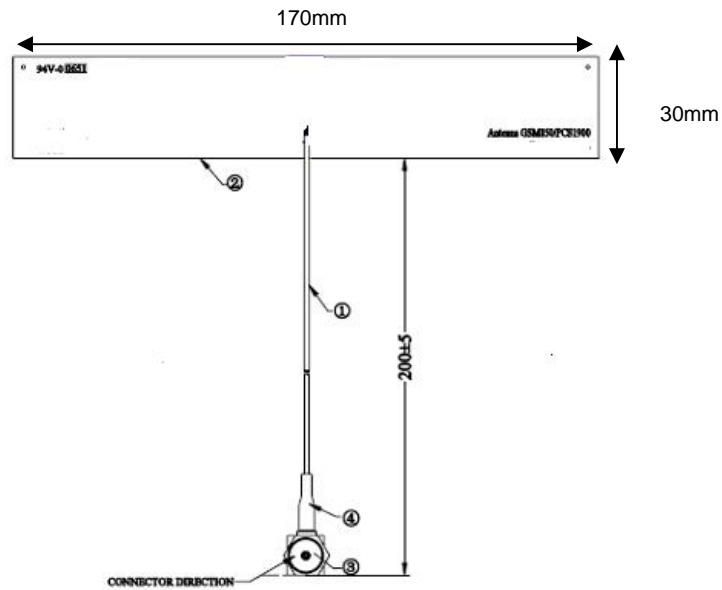
**WPIANTUGMLR120006A1**

**AMR Wraparound Under Glass Mount Antenna**

**Antenna Installation on a typical meter – Wrapping around the meter, under the top cover**



**PCB Assembly/Dimensions**





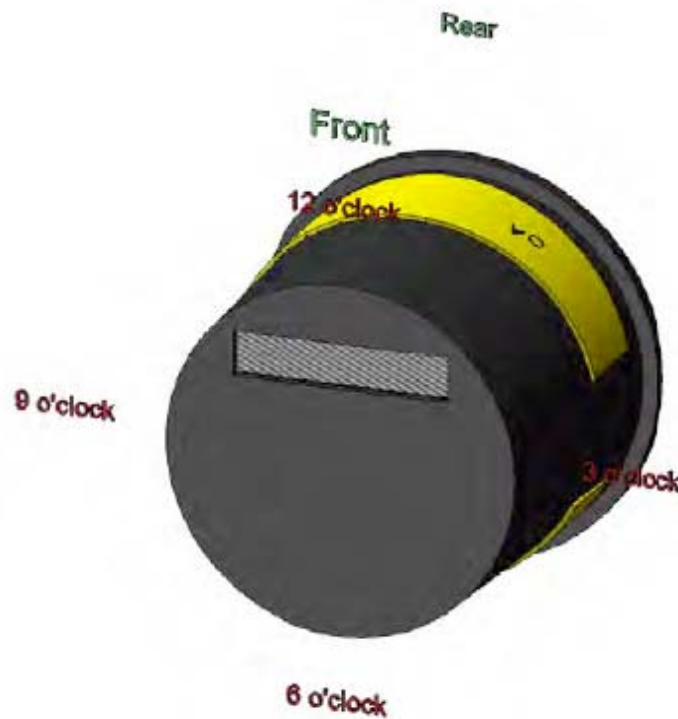
**WP WIRELESS**

**PIONEERING TECHNOLOGY**  
Enabling Your First to Market Vision

**WPIANTUGMLR120006A1**

**AMR Wraparound Under Glass Mount Antenna**

**Typical Mounting Location On Meter**





**Part Number Configuration Guide**

WPIANT    UGM    L    R1    200    06    A1  
 (1)        (2)    (3)    (4)    (5)    (6)    (7)

Above example= **UGM**; Under Glass Mount (with radome/housing), **F**;GSM 850/1900, **R1**; RG178 cable, **200**; 200mm long, **06**; RA MMCX connector, **A1**; revision A1

**(1) Product Type**

WPIANT: Antenna

**(2) Product Series**

UGM: Under Glass Mount Antenna

**(3) Frequency Code**

- A: 900MHz ISM band (902~928MHz)
- B: 2.45GHz ISM band (2.40~2.50GHz)
- E: GSM900/DCS1800 dual band (880~960MHz + 1710~1880MHz)
- F: GSM850/PCS1900 dual band (824~894MHz + 1850~1990MHz)
- G: GSM850/900/1800/1900 quad band (E+F frequency codes combined)\*
- L: 900MHz / 2.4 GHz ISM band (902~928MHz + 2.4~2.5 GHz)

**(4) Cable type**

- R1: RG178
- R2: 1.13mm OD micro-coaxial
- R3: 1.30mm OD micro-coaxial

**(5) Cable Length**

XXX: 3 digits in mm (eg: 200= 200mm long)

**(6) Connector Style**

- |                             |                          |
|-----------------------------|--------------------------|
| 00: No connector (pig tail) | 08: IPEX MHF (version 1) |
| 01: TNC                     | 09: BNC                  |
| 02: R TNC                   | 10: Hirose U.FL          |
| 03: RA SMA (male)           | 11: MMCX (male)          |
| 04: SMA (male)              | 12: MCX                  |
| 05: RA MCX                  | 13: SMA (female)         |
| 06: RA MMCX (male)          | 14: RA SMA (female)      |
| 07: RA SMA (female)         |                          |

**(7) Revision**

A1 – Revision A, update1

### SPECIFICATION

Electrical Specifications	
Frequency Range	890-960MHz/1710-1880MHz
VSWR	≤3.0
Input Impedance	50Ω
Gain	≥5dBi
Polarization	Vertical
Maximum Input Power	50W
Connector Type	SMA -Male
Lightning Protection	DC ground
Mechanical Specifications	
Height	230mm
Weight	85g
Cable length	5m
Antenna Color	Black
Working Temperature	-40~60 C

