

## Statement

In order to use the terminal safely and correctly, please read this operation guide carefully before use and deploy the terminal. Please refer to all of the related contracts and agreements of the terminal or consult with the agent that sold the terminal to you in order to know all of the particular configurations clearly about this terminal.

The company reserves all the rights to this guide. In other words, no individuals or parties are allowed to copy, excerpt, backup, or change any of the contents in this guide unless the company says so.

## Package Content

Components Name	Quantity
A75 hand-held smart POS terminal	1
Lithium battery	1
Power adapter	1
USB cable	1
Quick operation guide (Certificate of qualification and Warranty card)	1

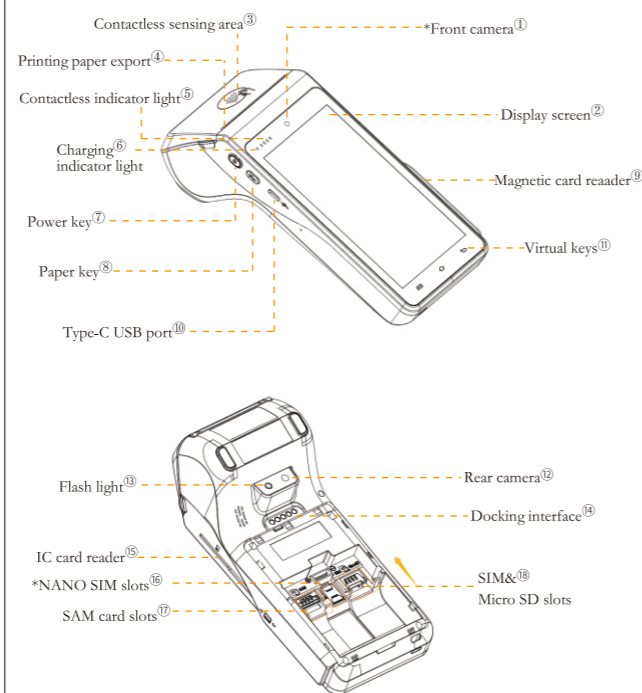
-1-

## Security

- The installation and use of this product must strictly follow the instructions in this guide.
- Unauthorized disassembly of this device will result in the destruction of the built-in security key, resulting in disabling to use.
- Do not drop, scratch, twist, hit, vibrate the machine or place heavy objects on the top of it.
- Do not use sharp objects to touch or collide with the unit, especially the display screen. Disobey to do so may cause the display screen to be damaged or not displayed properly.
- Wipe the screen with a soft, slightly moist, and non-maturing fabric to remove any traces of oil left by fingers. Do not use corrosive cleaners.
- This product uses the standard power adapter. Do not use non-standard power adapters, otherwise they may cause the equipment not being able to function as usual or cause serious damage.
- The power supply of this product must come from the original standard lithium battery. Please do not use any other non-standard batteries, otherwise they may cause the device not being able to function as usual or cause serious damage.
- This product is an electrical product. Do not spill any liquid material, otherwise it may cause the risks of internal short-circuit and serious damage to the device.
- Do not insert any metal foreign matters into any interface or port of the device.
- Do not use the device in direct sunlight, high temperature, humid, dusty, or strong magnetic field environment.
- Finding the device damaged or broken down, please stop using the device immediately and contact the relevant after-sales service department. Unauthorized repair or maintenance is strictly forbidden.

-2-

## Product Description



-3-

Name	Function introduction
*Front camera <sup>(1)</sup>	Used for bar and QR code scanning and taking photos, etc.
Display screen <sup>(2)</sup>	Touch screen, display transaction and operation prompt information, etc.
Contactless sensing area <sup>(3)</sup>	Induction area for contactless IC card reading and writing.
Printing paper export <sup>(4)</sup>	Printed receipts and bills export.
Contactless indicator light <sup>(5)</sup>	The 4-color indicator provides a status indication for the operation that may vary depending on the application configuration.
Charging indicator light <sup>(6)</sup>	The 2-color battery charging indicator light.
Power key <sup>(7)</sup>	For power-on, power-off, restarting, airplane mode.
Paper key <sup>(8)</sup>	Allows printing paper to process.
Magnetic card reader <sup>(9)</sup>	Magnetic stripe card reader, support bi-direction swiping.
Type-C USB port <sup>(10)</sup>	Used for connecting external PC or other terminals, allows to do data transmission and battery charging.
Virtual keys <sup>(11)</sup>	Include Menu, Home, and Back key.
Rear Camera <sup>(12)</sup>	Used for bar and QR code scanning and taking photos, etc.
Flash light <sup>(13)</sup>	Use when the light is dim when taking pictures or scanning code.
Docking interface <sup>(14)</sup>	Connecting Charging Dock or Docking Station.
IC card reader <sup>(15)</sup>	IC card reader.
*NANO SIM slot <sup>(16)</sup>	SIM1 card slot.
SAM card slot <sup>(17)</sup>	SAM1 and SAM2 card slots.
SIM&Micro SD slot <sup>(18)</sup>	SIM card slot and Micro SD card slots.

Note: Those marked with "\*" in front of the module name in the above table are optional parts, which shall be subject to the specific order requirements.

-4-

## Quick installation

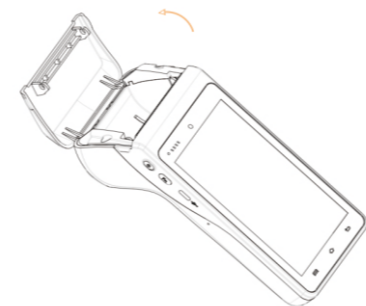
Take out the POS terminal, lithium battery, the power adapter, and other necessary parts from the packing box, then follow the steps below for a quick installation.

### 1 Install the printing paper:

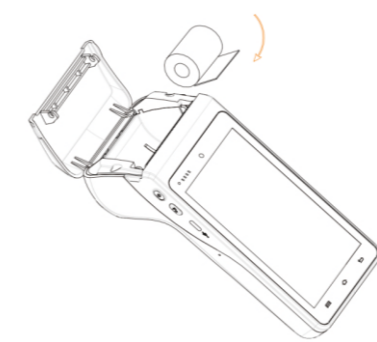
- Pull up the printing paper container cover to open the container.
- Strip off the printing paper. Hold one side of the paper and put it into the container. Leave a bit of the paper on the top of the scudding knife.
- Close the cover when hearing the "tick" sound.

### 【Cautions】

Please be careful with the direction when installing the thermal printing paper, and please do so by following the figures below, otherwise it will cause a failure of printing.



-5-



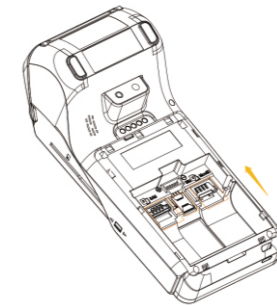
-6-

### 2 Install the SIM/ SAM(PSAM) card:

- Open the battery cover.
- Follow the silkscreen indication and place each of the needed SIM/ SAM card separately into the right slot following the direction as the picture showed.

### 【Cautions】

- When installing or removing the SIM/ SAM card, please confirm that the device is power-offed, otherwise the cards may be damaged;
- When installing the SIM/ SAM card, the chip faces toward the internal side of the device;
- SIM/ SAM card can not paste stickers, tags, or other materials that may change the thickness of the card in order to prevent non-smooth installation or disassembly.



-7-

## Warranty Card

Product Name: \_\_\_\_\_

Product Model: \_\_\_\_\_

- Warranty terms:**
- Our company will provide you with high quality after-sales service.
  - If the user causes product damage due to human factors, the company will charge maintenance fee when repairing.
  - Please take good care of this card, which will be the warranty basis of our company.

## Certification

Inspector: \_\_\_\_\_

Date: \_\_\_\_\_

Please cut along with dotted line

## FCC Caution:

Any Changes or modifications not expressly approved by the party responsible for compliance could void the user's authority to operate the equipment.

This device complies with part 15 of the FCC Rules. Operation is subject to the following two conditions: (1) This device may not cause harmful interference, and (2) this device must accept any interference received, including interference that may cause undesired operation.

### IMPORTANT NOTE:

Note: This equipment has been tested and found to comply with the limits for a Class B digital device, pursuant to part 15 of the FCC Rules. These limits are designed to provide reasonable protection against harmful interference in a residential installation. This equipment generates, uses and can radiate radio frequency energy and, if not installed and used in accordance with the instructions, may cause harmful interference to radio communications. However, there is no guarantee that interference will not occur in a particular installation. If this equipment does cause harmful interference to radio or television reception, which can be determined by turning the equipment off and on, the user is encouraged to try to correct the interference by one or more of the following measures:

—Reorient or relocate the receiving antenna.

—Increase the separation between the equipment and receiver.

—Connect the equipment into an outlet on a circuit different from that to which the receiver is connected.

—Consult the dealer or an experienced radio/TV technician for help.

### FCC Radiation Exposure Statement:

The device has been tested and comply with FCC SAR limits.

## Aisino Vanstone Electronic (Beijing) Co., Ltd.

Address: 3F No 2 Building, Aisino Corporation Park 18A, Xingshikou Road, Haidian District, Beijing, China 100195  
Email: info@vanstone.com.cn

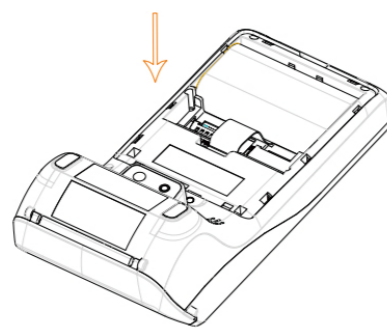
### 3 Install and remove the lithium battery:

#### Install the battery:

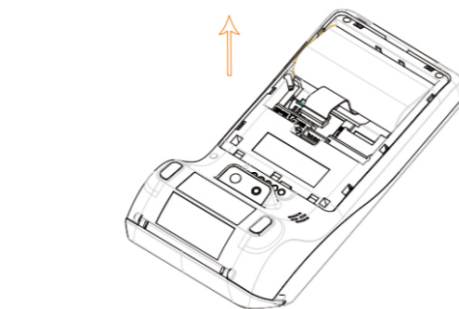
- Open the battery cover;
- Insert the plug side of the battery into the battery socket;
- Put the battery into the battery container;
- Close the battery cover.

#### Remove the battery:

- Open the battery cover after power-off;
- Pull off the battery by grasping the line at the plug and pulling it up and off;
- Gently remove the battery from the battery container.



-8-



## Usage and Operation

### Power on / Power off / Restart:

- Power on:** Press and hold the "U" key on the keyboard for 2 seconds. When the backlight of the display screen is on, the device is activating.
- Power off/ Restart:** Press and hold the "U" key for 2 seconds. The screen will display options for "shutdown/contextual model/restart/airplane mode" menu. Press the "shutdown" key to complete the shutdown; Press the "restart" key to restart the device.

[Cautions] When operating a transaction, the user interface is in the communication status. Please do not turn off your device.

-9-

## Troubles and Troubleshooting

Troubles	Troubleshooting
Failing to turn on the device when pressing the power key	<ol style="list-style-type: none"> <li>The battery is exhausted and cannot be recharged. Please change the battery.</li> <li>The battery volume is low. Please recharge the battery.</li> </ol>
Display screen shows error message about network or service	<ol style="list-style-type: none"> <li>The device may lost the ability of receiving signal when you are in a place where the signal is weak or reception is bad. Please try to relocate and try it again.</li> <li>Some of the options may not be able to use because of the lack of reservation. Please contact your service providers for more information.</li> </ol>
Touch screen slow or incorrect reaction	<p>If the device has a touch screen, and the screen reaction is incorrect, please try with the following options:</p> <ol style="list-style-type: none"> <li>Take off the protective film on the screen because it may prevent the device recognize input correctly. We do not recommend to use any type of protective films for touch screens.</li> <li>Please ensure that the screen is clean without greasy dirt. Please keep fingers dry and clean when touching the screen.</li> <li>Please restart the device to solve any type of temporary software errors.</li> <li>If the screen is scratched or damaged, please contact the agent or distributor selling the device to you.</li> </ol>
Device is frozen or has serious mistakes	<p>If the device is frozen or suspended, it may need to be shutdown or restarted to re-motivate functions. If the device is frozen or has slow reaction, please press the power key for 6 seconds, and the device will be restarted automatically.</p>

-10-

Troubles	Troubleshooting
Short standby duration	<ol style="list-style-type: none"> <li>Please turn off some functions for saving power when do not using them, such as Bluetooth/WiFi/Data service, and etc.</li> <li>Turn off non-use applications on the backstage will help to save power.</li> </ol>
Cannot find another Bluetooth device	<ol style="list-style-type: none"> <li>Please ensure that Bluetooth and wireless functions have been turned on.</li> <li>Please ensure that the connected device has turned on its Bluetooth and wireless functions.</li> <li>Please ensure that the POS terminal and the connected device are within the maximum Bluetooth range of 10 meters.</li> </ol>

If the problem remains the same, please contact customer service.

### Cautions for use

- If the power adapter plug or power cord is damaged, please do not use them in case of electric shock or fire.
- Please do not touch power cord with wet hand or pull out the power adapter like pulling power cable.
- Please do not touch the device and power adapter with wet hand in case of short circuit, malfunction, or electric shock.
- Please stop using the power adapter and contact sales representatives for exchanging if the power adapter is caught in the rain, getting wet, or affected with damp seriously.
- The power adapter has to meet all of the requirements from the "2.5 Restricted power supply" in <<GB4943.1 Safety of information technology equipment>>.
- If the device has to connect USB ports, please ensure that the USB ports has USB-IF identification, and its performance is qualified with the USB-IF requirements.

-11-

## Operating environment

- Do not use the device in thunderstorms which can cause the device malfunction or electric shock.
- Keep the device away from rain, moisture and liquids containing acidic substances that can corrode electronic circuit boards.
- Do not store or use the device in a dusty or dirty place.
- Do not store the device in a high temperature place. High temperature will shorten the life of the electronic device.
- Do not place the device in a super-cooling place. When the temperature of the device rises, moisture may be formed inside the equipment, which may damage the circuit board.
- Do not try to disassemble the device. Non-professional manipulating will damage the device.
- Do not use a pen, pencil, or other sharp objects to touch the screen surface to avoid scratching the screen.
- Do not drop, strike, or seriously crash the device. Rough behaviors may damage the device and may cause malfunction.

### Accessories requirements

- Please use only the battery, power adapter and other accessories that are authorized by product manufacturer and match to the device. Using unauthorized and incompatible accessories may cause fire, explosion, or other dangers.
- If using unauthorized accessories, the user may disobey the warranty rules and countries' related regulations and may lead to accidents. If users want to acquire authorized accessories, please contact your sales agents or distributors.

-12-

## Power adapter safety

- When the device is charged, the power socket should be installed near the device and should be easy to touch. The charging area of the equipment must be clean without debris, flammable or chemical substance.
- When charging is over or uncharged, please cut off the connection between the power adapter and the device, and please unplug the charger from the power socket.
- Please do not drop or crash the power adapter. Once the shell of the adapter is damaged, please contact the agent or distributor who sell the equipment to exchange the power adapter.

### Battery safety

- Please do not use short circuit batteries, or contact the battery terminals with metal or other conductive objects.
- Please do not disassemble, squeeze, twist, or cut the battery.
- Please do not insert external matter into the battery, contact the battery with water or other liquid, and expose the battery to open flame, explosion source, or other risk sources.
- Please do not place or store the battery in an over-temperature environment.
- Please do not throw the battery into water.
- Do not touch the skin or eyes if a battery leak occurs. If you are stained, rinse the contact area with plenty of water and seek medical attention immediately.
- Please do not use broken and damaged battery.

**Cautions:** There will be a danger of explosion using the wrong model of battery. The battery must be disposed in accordance with the instructions.

-13-

## Aisino Vanstone Electronic (Beijing) Co., Ltd.

## Quick Operation Guide

### A75 Android POS Terminal



The pictures and descriptions in this guide are for reference only, please prevail in kind.