

ERICSSON FCC ID: OWDTR001-E0 -- FM Mouth SAR

Generic Twin Phantom; Flat Section; Probe: ET3DV5 - SN1368 -- Probe Cal Date 2/99

Medium Parameters 835 Muscle: $\sigma = 0.95$ mho/m $\epsilon_r = 56.2$ $\rho = 1.00$ g/cm³; Antenna Position -- Out; Crest Factor 1.0

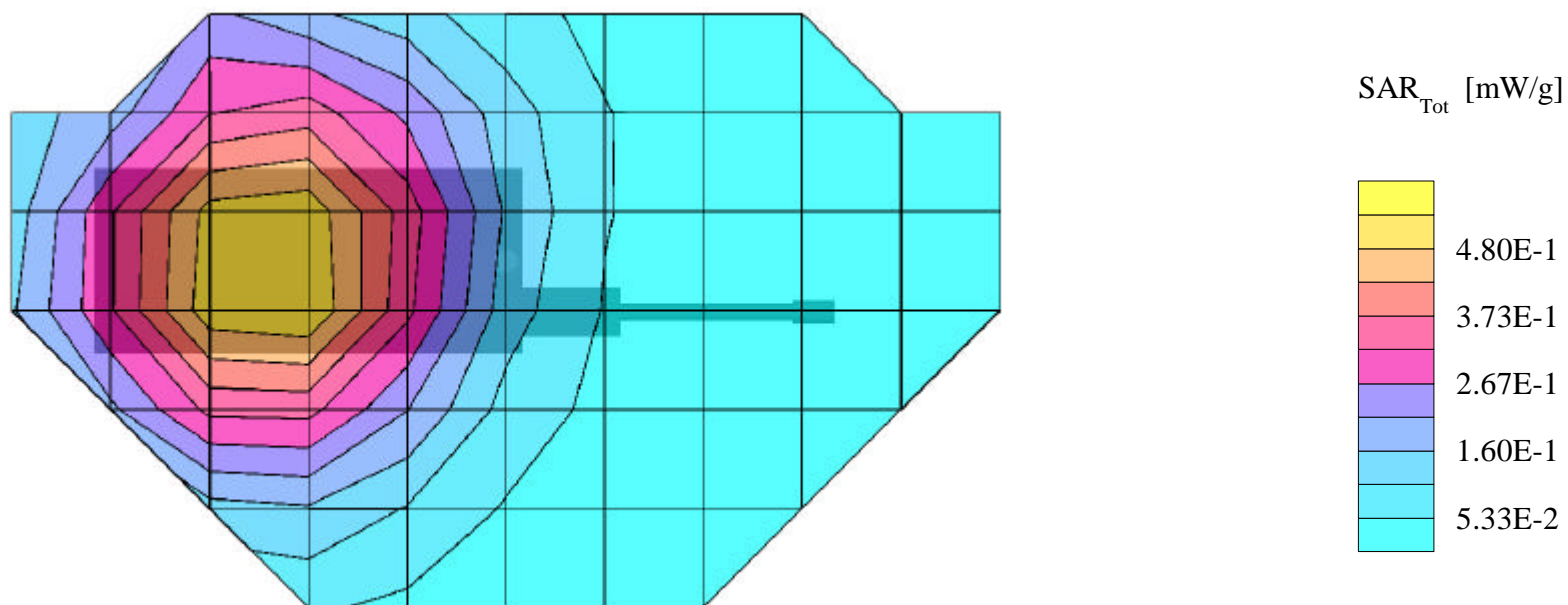
SAR (1g): 0.775 mW/g, SAR (10g): 0.555 mW/g

ERICSSON FM Portable Radio -- Model: EDACS 300P

FM Ch.01 [806.0250MHz]; **Antenna #1**, S/N:11445

3 Watts Output Power [spacing = 5.0cm from flat phantom to phone]

Test Date -- 02-15-2000



ERICSSON FCC ID: OWDTR001-E0 -- FM Mouth SAR

Generic Twin Phantom; Flat Section; Probe: ET3DV5 - SN1368 -- Probe Cal Date 2/99

Medium Parameters 835 Muscle: $\sigma = 0.95$ mho/m $\epsilon_r = 56.2$ $\rho = 1.00$ g/cm³; Antenna Position -- Out; Crest Factor 1.0

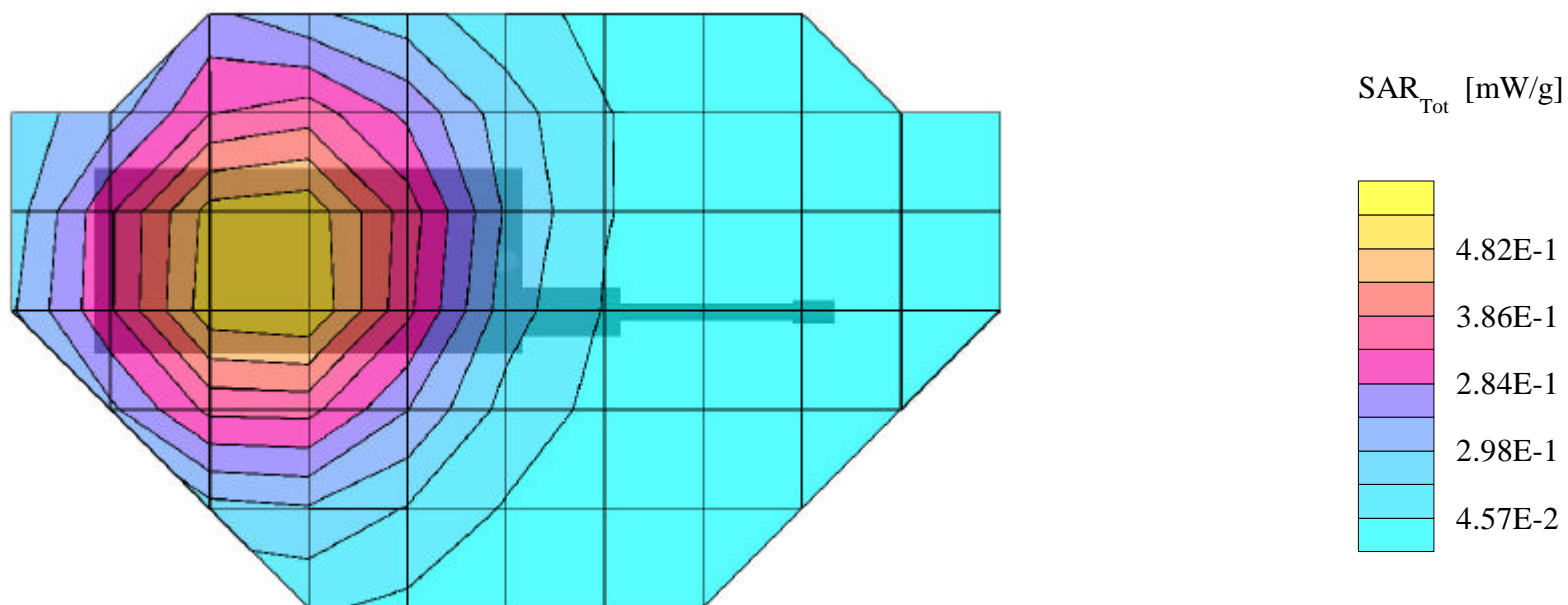
SAR (1g): 0.793 mW/g, SAR (10g): 0.568 mW/g

ERICSSON FM Portable Radio -- Model: EDACS 300P

FM Ch.04 [821.0125MHz]; **Antenna #1**, S/N:11445

3 Watts Output Power [spacing = 5.0cm from flat phantom to phone]

Test Date -- 02-15-2000



ERICSSON FCC ID: OWDTR001-E0 -- FM Mouth SAR

Generic Twin Phantom; Flat Section; Probe: ET3DV5 - SN1368 -- Probe Cal Date 2/99

Medium Parameters 835 Muscle: $\sigma = 0.95$ mho/m $\epsilon_r = 56.2$ $\rho = 1.00$ g/cm³; Antenna Position -- Out; Crest Factor 1.0

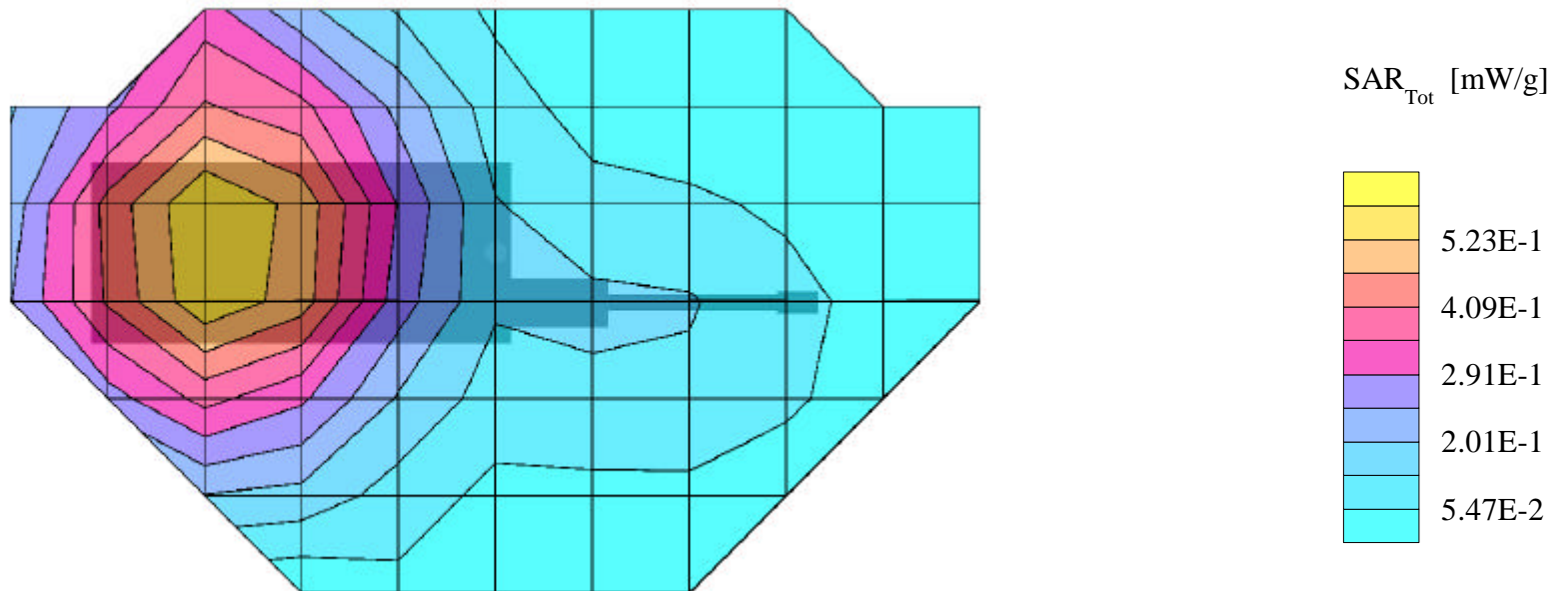
SAR (1g): 0.598 mW/g, SAR (10g): 0.419 mW/g

ERICSSON FM Portable Radio -- Model: EDACS 300P

FM Ch.07 [858.1500MHz]; **Antenna #1**, S/N:11445

3 Watts Output Power; Spacing = 5.0cm from flat phatom to phone

Test Date -- 02-15-2000



ERICSSON FCC ID: OWDTR001-E0 -- FM Mouth SAR

Generic Twin Phantom; Flat Section; Probe: ET3DV5 - SN1368 -- Probe Cal Date 2/99

Medium Parameters 835 Muscle: $\sigma = 0.95$ mho/m $\epsilon_r = 56.2$ $\rho = 1.00$ g/cm³; Antenna Position -- Out; Crest Factor 1.0

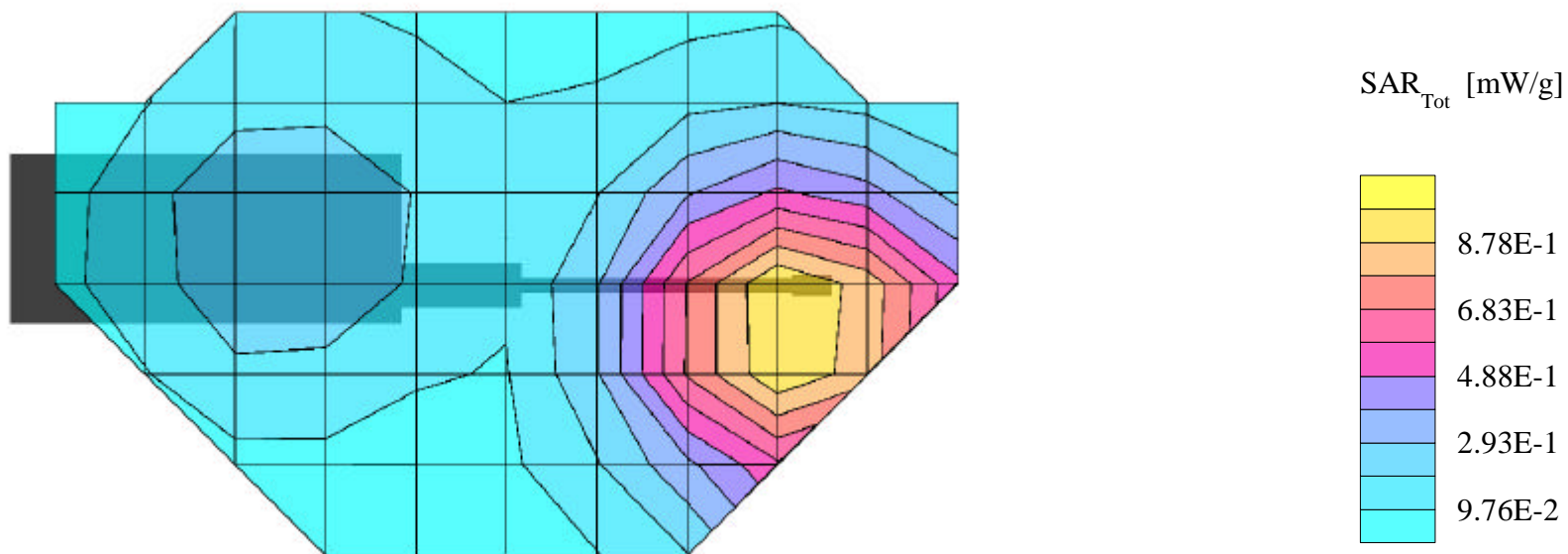
SAR (1g): 0.845 mW/g, SAR (10g): 0.600 mW/g

ERICSSON FM Portable Radio -- Model: EDACS 300P

FM Ch.01 [806.0250MHz]; **Antenna #2**, S/N:11580

3 Watts Output Power [spacing = 5.0 cm from flat phantom to phone]

Test Date -- 02-16-2000



ERICSSON FCC ID: OWDTR001-E0 -- FM Mouth SAR

Generic Twin Phantom; Flat Section; Probe: ET3DV5 - SN1368 -- Probe Cal Date 2/99

Medium Parameters 835 Muscle: $\sigma = 0.95$ mho/m $\epsilon_r = 56.2$ $\rho = 1.00$ g/cm³; Antenna Position -- Out; Crest Factor 1.0

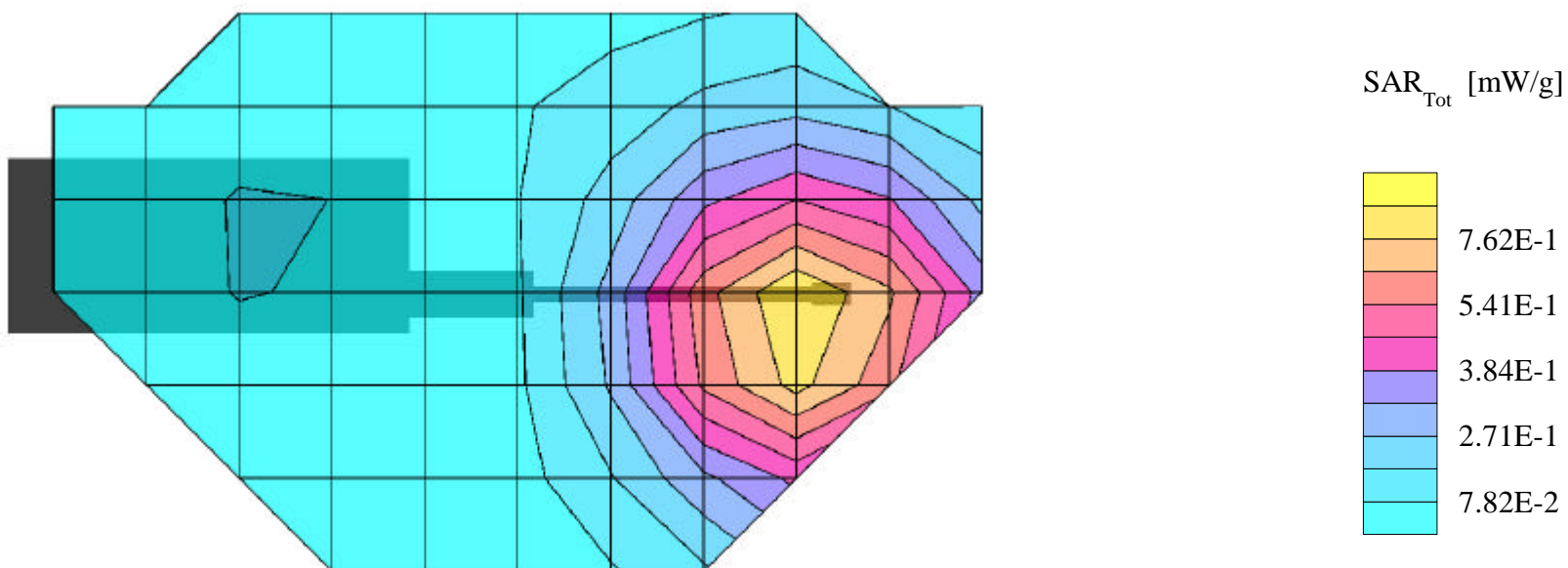
SAR (1g): 0.921 mW/g, SAR (10g): 0.618 mW/g

ERICSSON FM Portable Radio -- Model: EDACS 300P

FM Ch.04 [821.0125MHz]; **Antenna #2**, S/N:11580

3 Watts Output Power [spacing = 5.0cm from flat phantom to phone]

Test Date -- 02-16-2000



ERICSSON FCC ID: OWDTR001-E0 -- FM Mouth SAR

Generic Twin Phantom; Flat Section; Probe: ET3DV5 - SN1368 -- Probe Cal Date 2/99

Medium Parameters 835 Muscle: $\sigma = 0.95$ mho/m $\epsilon_r = 56.2$ $\rho = 1.00$ g/cm³; Antenna Position -- Out; Crest Factor 1.0

SAR (1g): 0.618 mW/g, SAR (10g): 0.389 mW/g

ERICSSON FM Portable Radio -- Model: EDACS 300P

FM Ch.07 [858.1500MHz]; **Antenna #2**, S/N:11580

3 Watts Output Power [spacing = 5.0cm from flat phantom to phone]

Test Date -- 02-16-2000

