


ID Label Samples and Location R2

1. XL-CH2 ID Label Samples

FCC **L3Harris**
Technologies, Inc.
XL-CH2 CONTROL HEAD
14050-1150-02

THIS DEVICE COMPLIES WITH PART 15 OF THE FCC RULES.
OPERATION IS SUBJECT TO THE FOLLOWING TWO CONDITIONS:
(1) THIS DEVICE MAY NOT CAUSE HARMFUL INTERFERENCE, AND
(2) THIS DEVICE MUST ACCEPT ANY INTERFERENCE RECEIVED,
INCLUDING INTERFERENCE THAT MAY CAUSE UNDESIRE
OPERATION.

This Class B digital apparatus complies with Canadian
ICES-003.
Cet appareil numérique de la classe B est conforme à la
norme NMB-003 du Canada.

14050-1150-02 Rev - FCC ID: OWDTR-0171-E 

P/N BARCODE(code39) IC: 3636B-0171

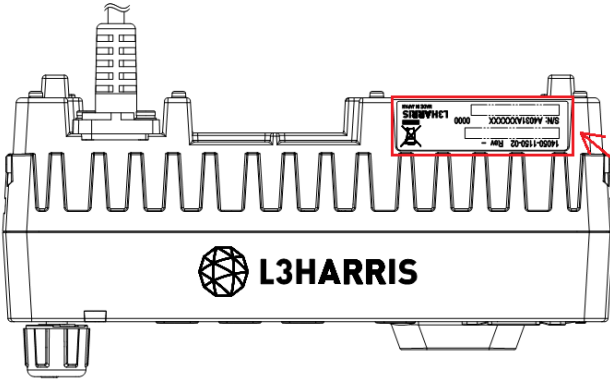
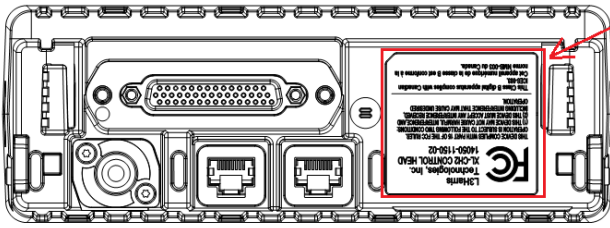
A4031AXXXXXX 0000 HVIN: XLCU-CH2

S/N BARCODE(code39) XL-CH2 **L3HARRIS**

MADE IN JAPAN

Permanent adhesive permanently affixes the ID label to the device for its expected lifetime in the environment in which it will be operated.


2. XL-CH2 ID Label Location



FC L3Harris
Technologies, Inc.
XL-CH2 CONTROL HEAD
14050-1150-02

THIS DEVICE COMPLIES WITH PART 15 OF THE FCC RULES. OPERATION IS SUBJECT TO THE FOLLOWING TWO CONDITIONS:
(1) THIS DEVICE MAY NOT CAUSE HARMFUL INTERFERENCE, AND
(2) THIS DEVICE MUST ACCEPT ANY INTERFERENCE RECEIVED, INCLUDING INTERFERENCE THAT MAY CAUSE UNDESIRABLE OPERATION.

This Class B digital apparatus complies with Canadian ICES-003.
Cet appareil numérique de la classe B est conforme à la norme NMB-003 du Canada.

14050-1150-02 Rev - FCC ID: OWDTR-0171-E 

P/N BARCODE(code39) IC: 3636B-0171

A4031AXXXXXX 0000 HVIN: XLCU-CH2

S/N BARCODE(code39) XL-CH2 **L3HARRIS**
MADE IN JAPAN