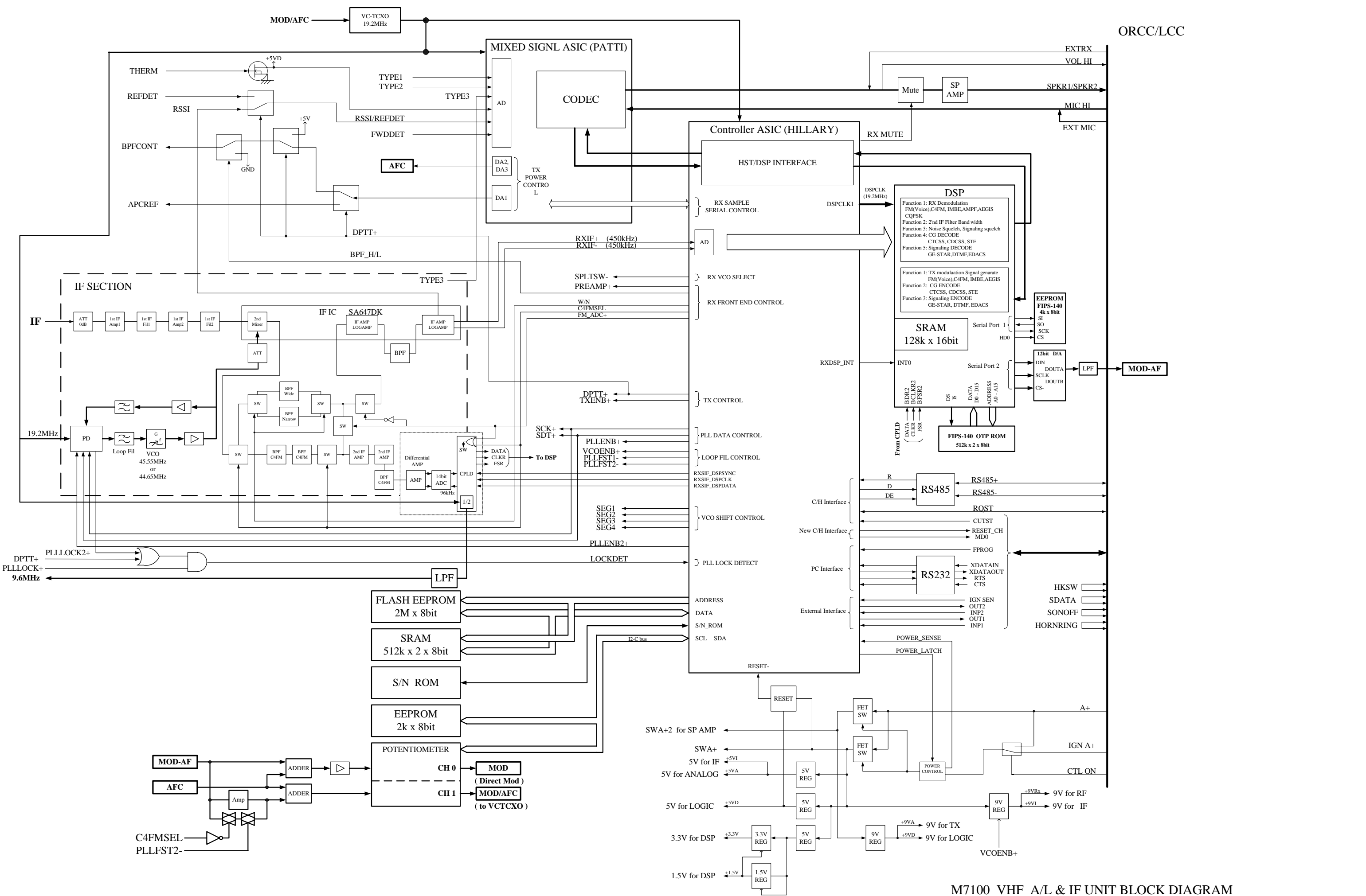


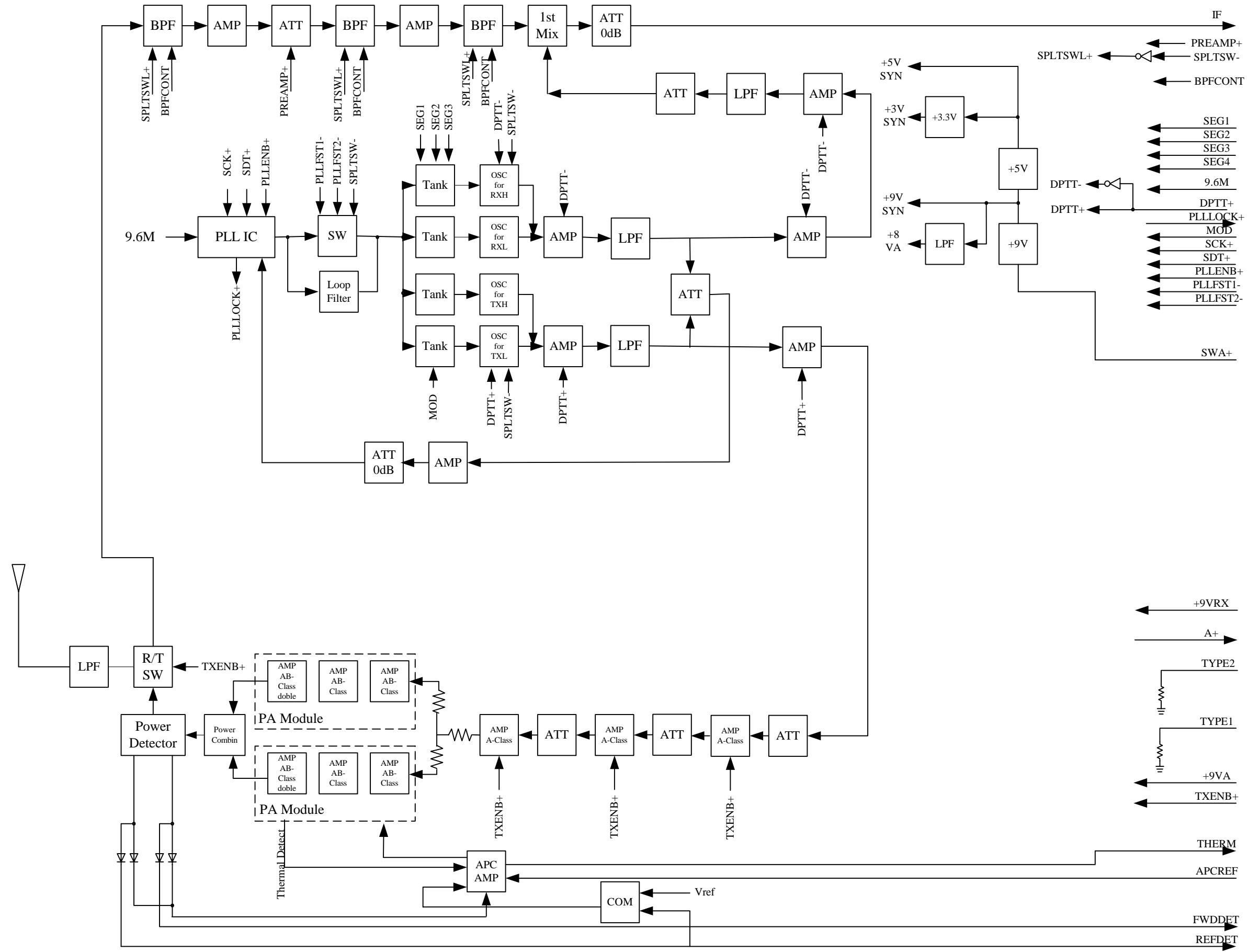
APPENDIX F: BLOCK DIAGRAM

Please refer to the following pages.

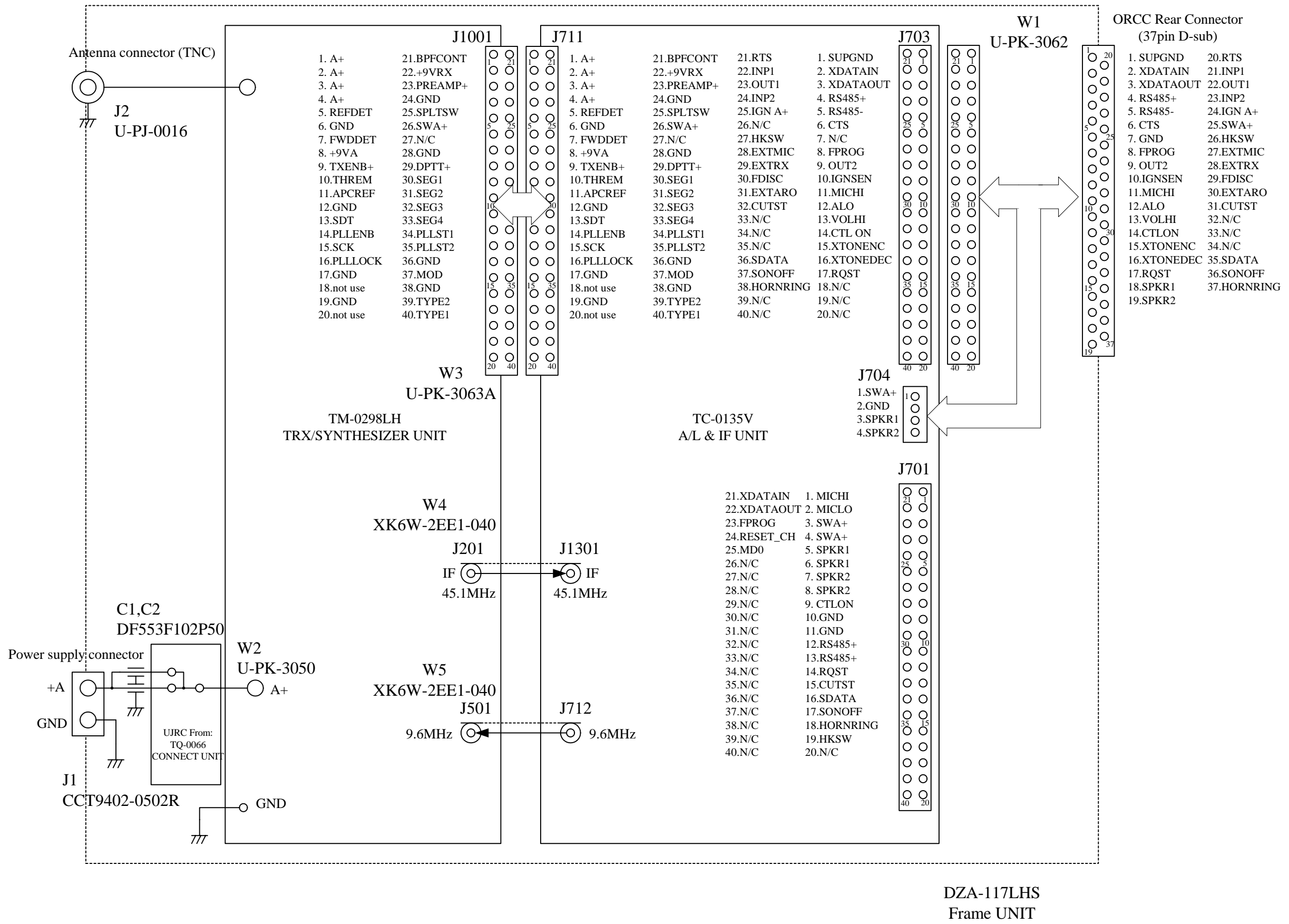


ORCC/LCC

M7100 VHF A/L & IF UNIT BLOCK DIAGRAM
 DACMC0003G
 Feb./07/2003



M7100 VHF TRX/SYNTHESIZER UNIT BLOCK DIAGRAM
 DACMN0003F
 Feb./07/2003



M7100 VHF SYNTHETIC BLOCK DIAGRAM