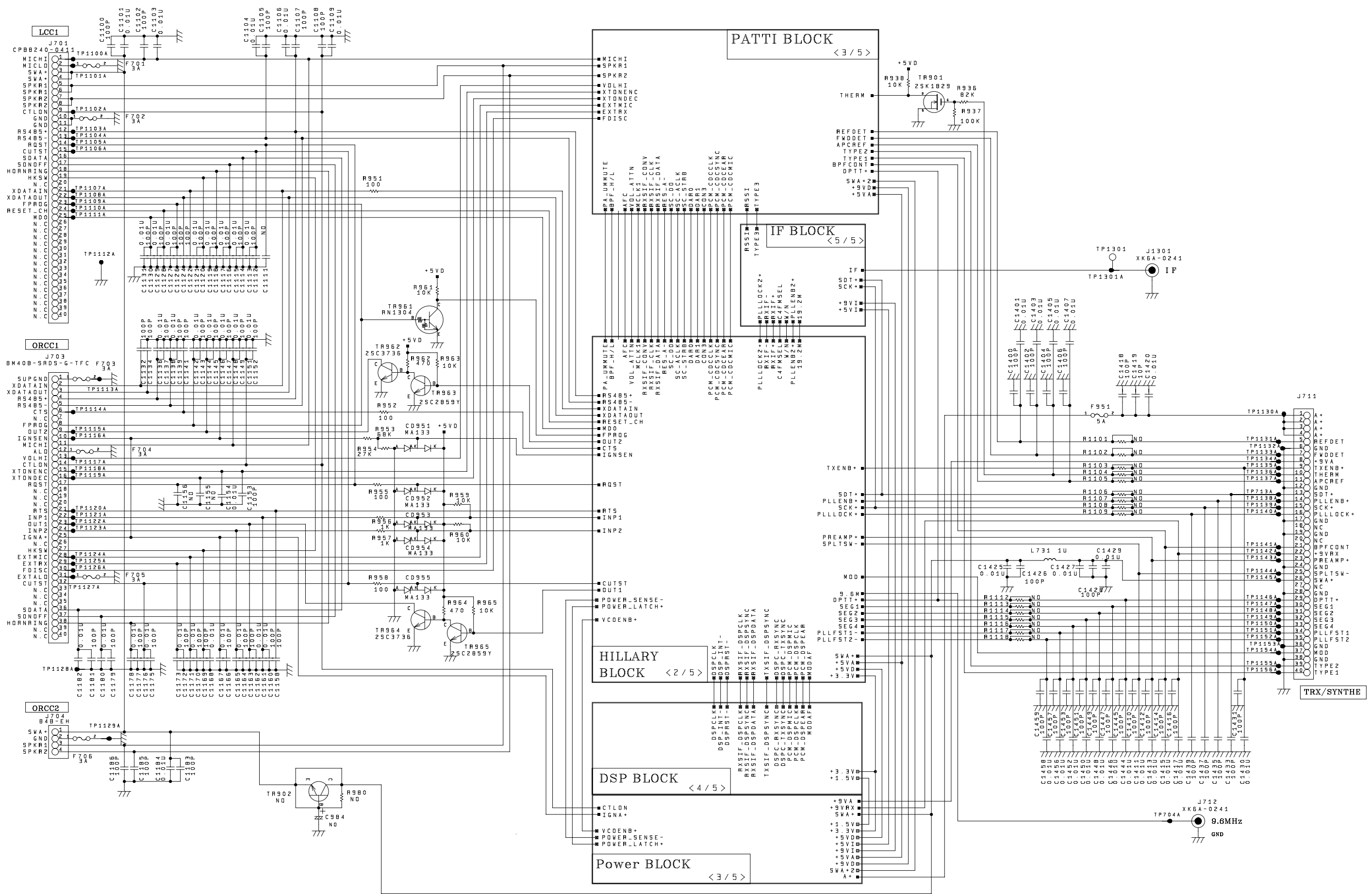
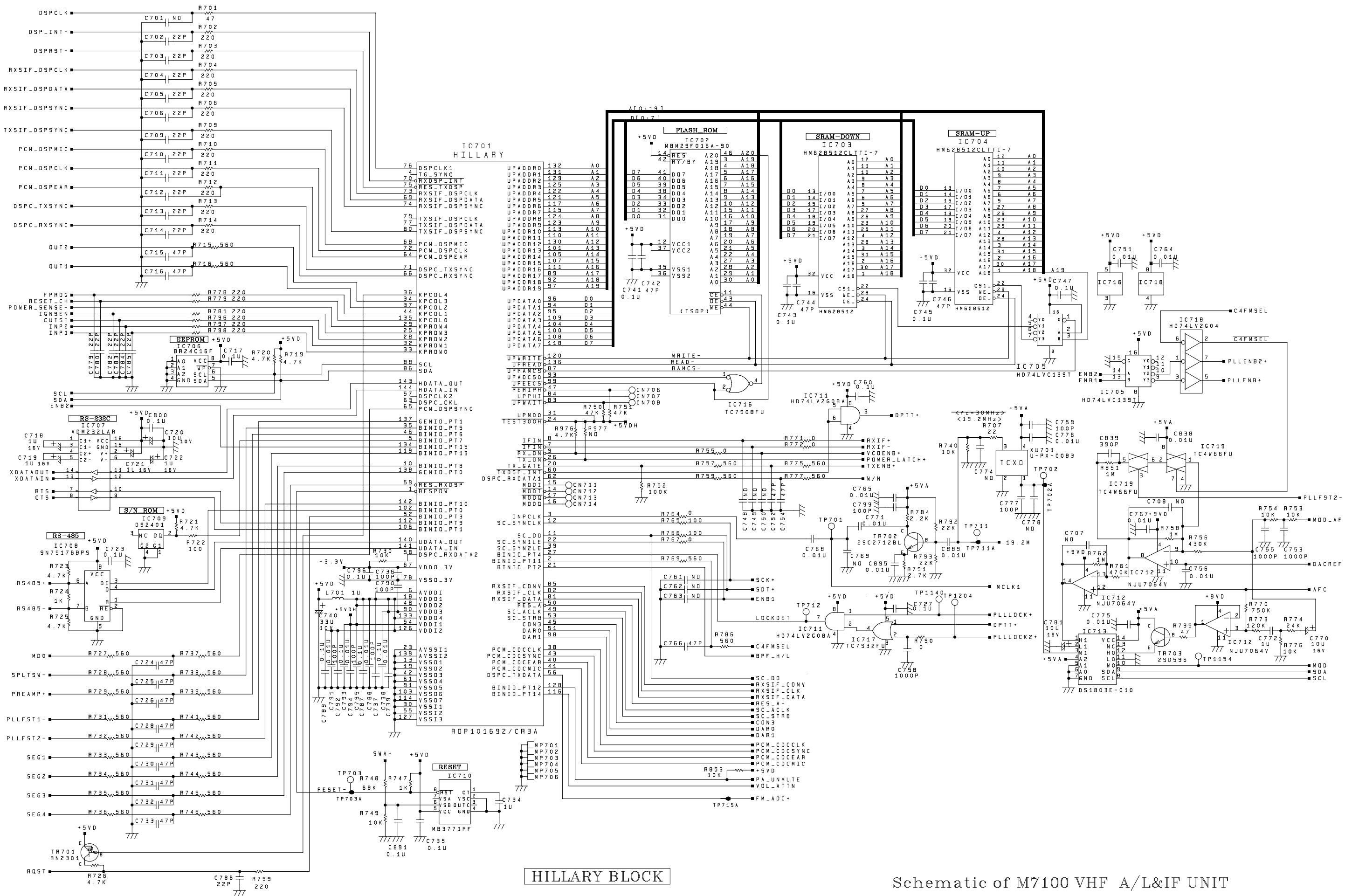


APPENDIX E: SCHEMATICS

Please refer to the following pages.

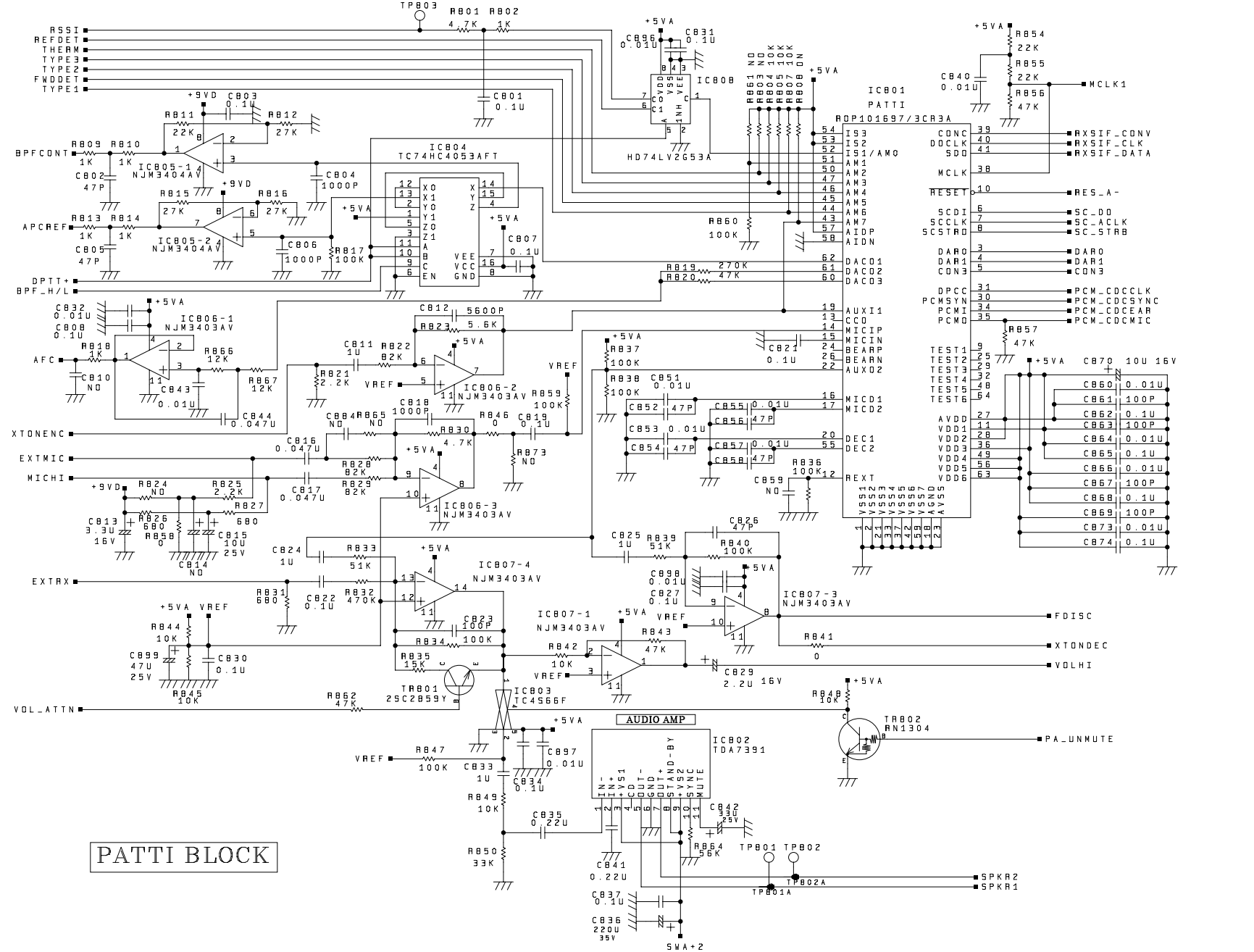
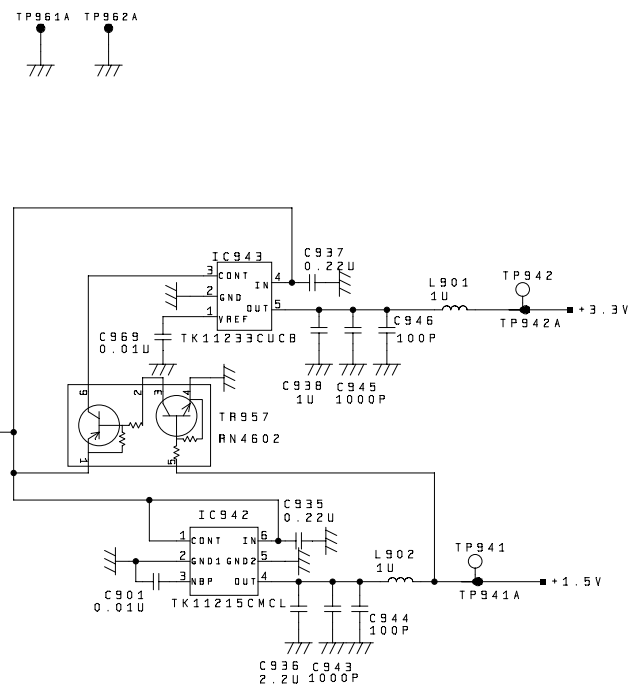
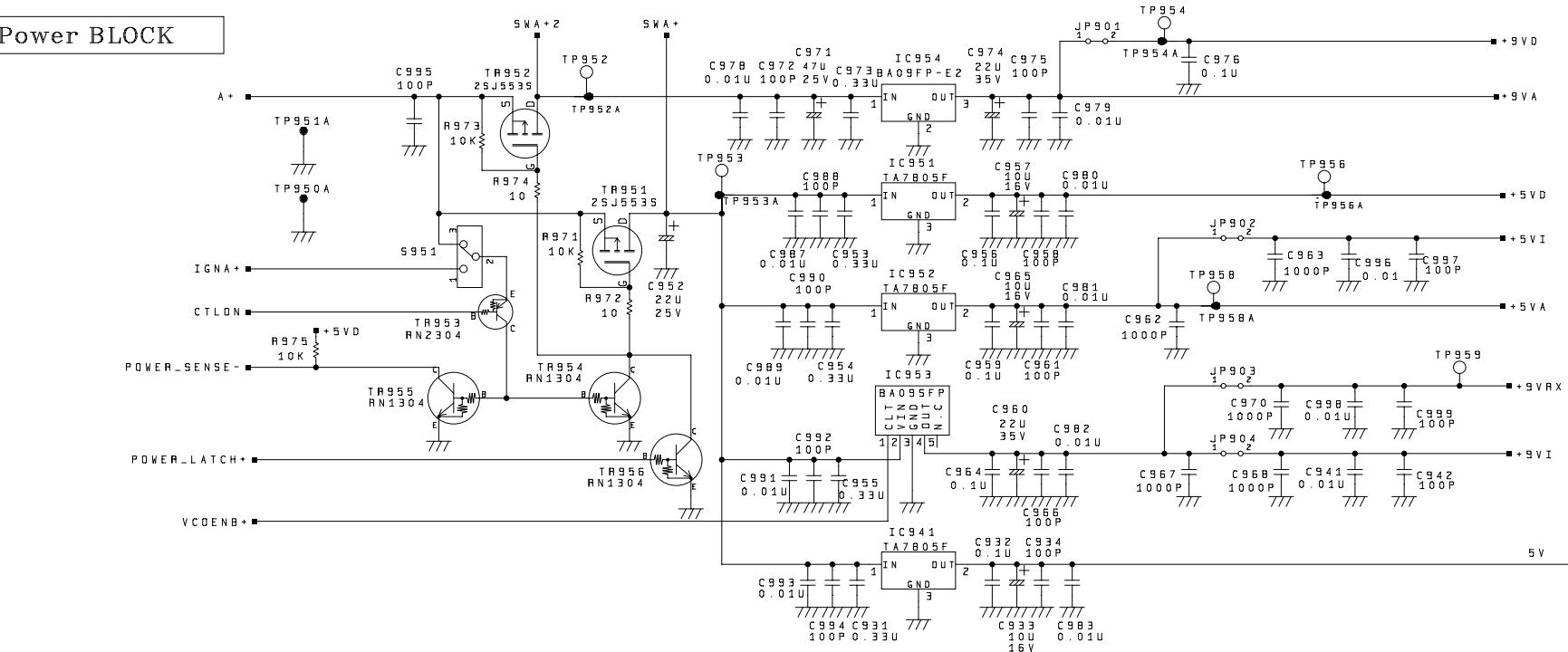


Schematic of M7100 VHF A/L&IF UNIT
 TC-0135V
 EDCMC0022H



Schematic of M7100 VHF A/L&IF UNIT
 TC-0135V
 EDCMC0022H

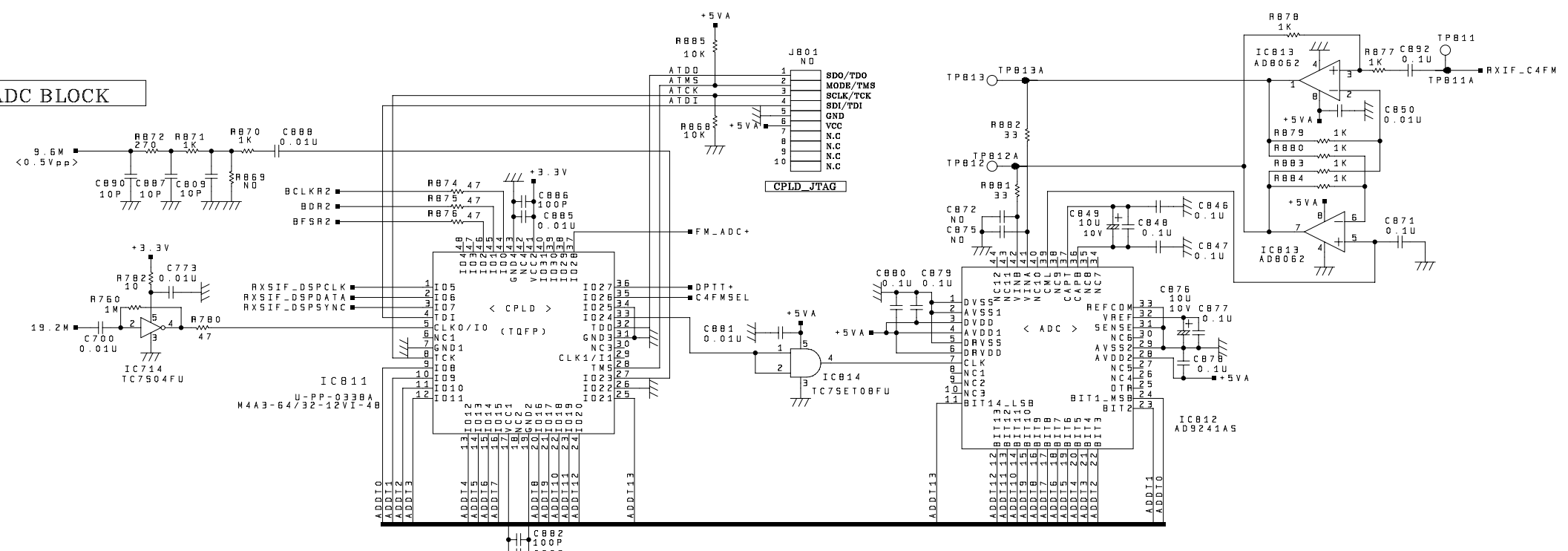
Power BLOCK



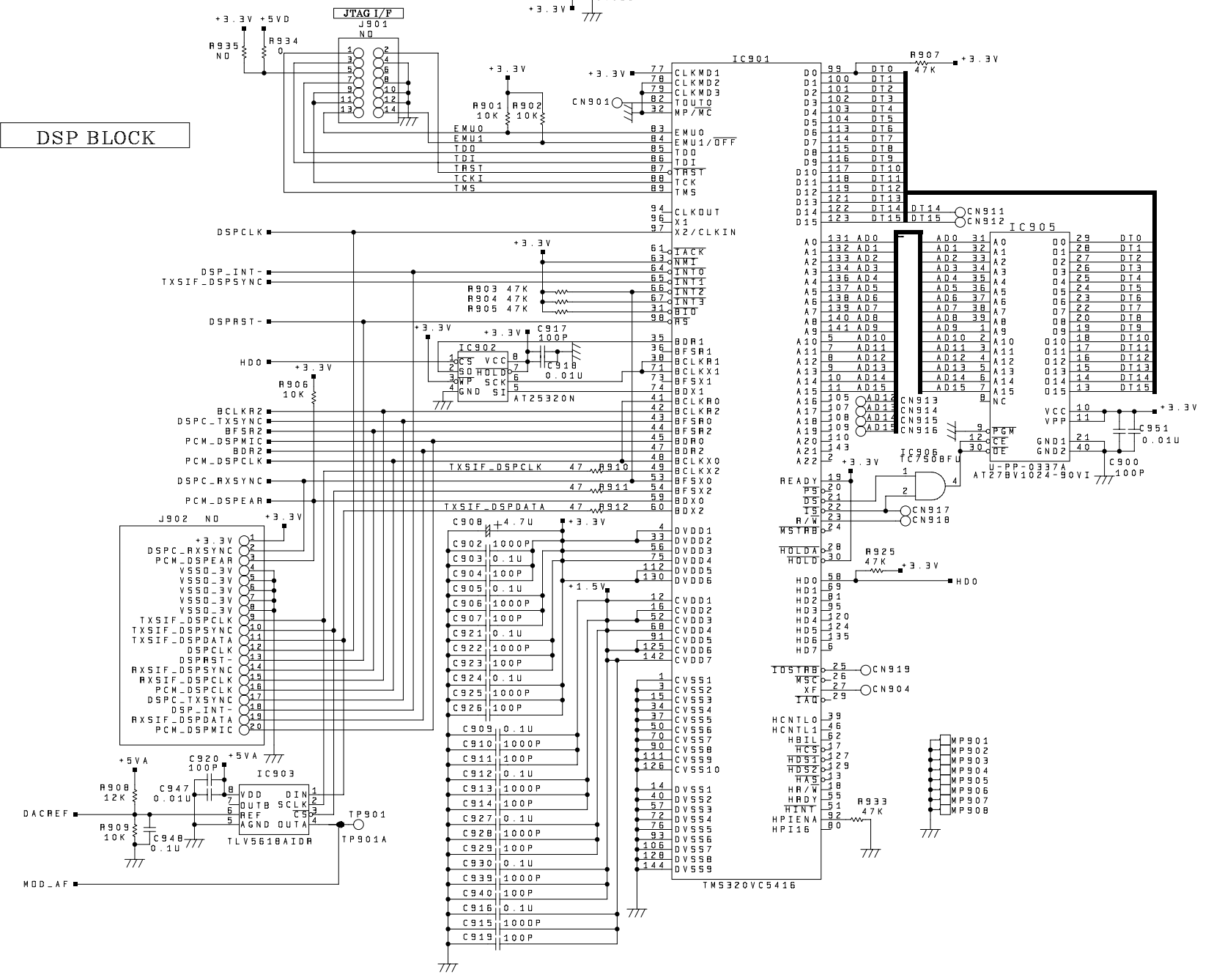
PATTI BLOCK

Schematic of M7100 VHF A/L&IF UNIT
TC-0135V
EDCMC0022H

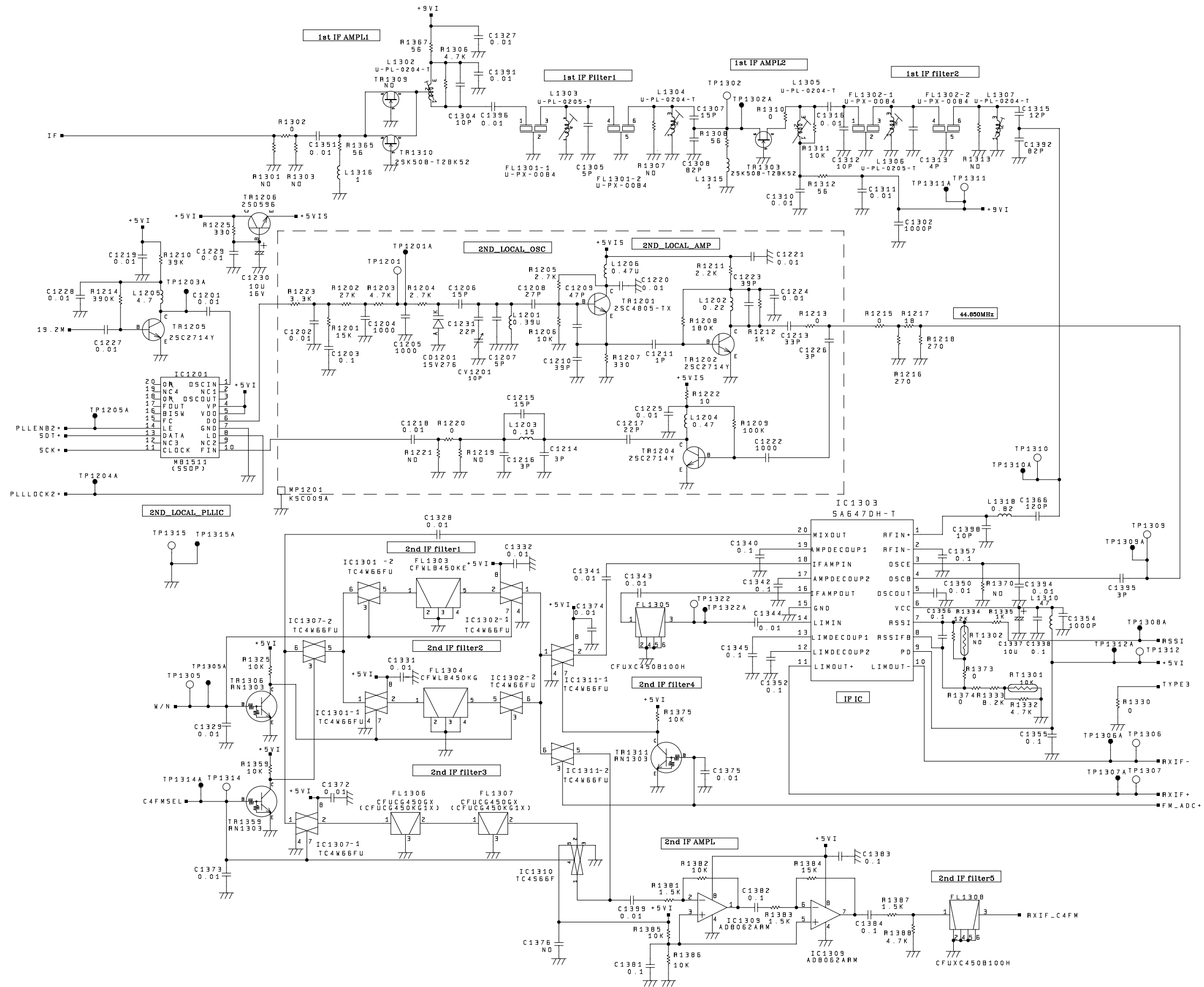
ADC BLOCK



DSP BLOCK

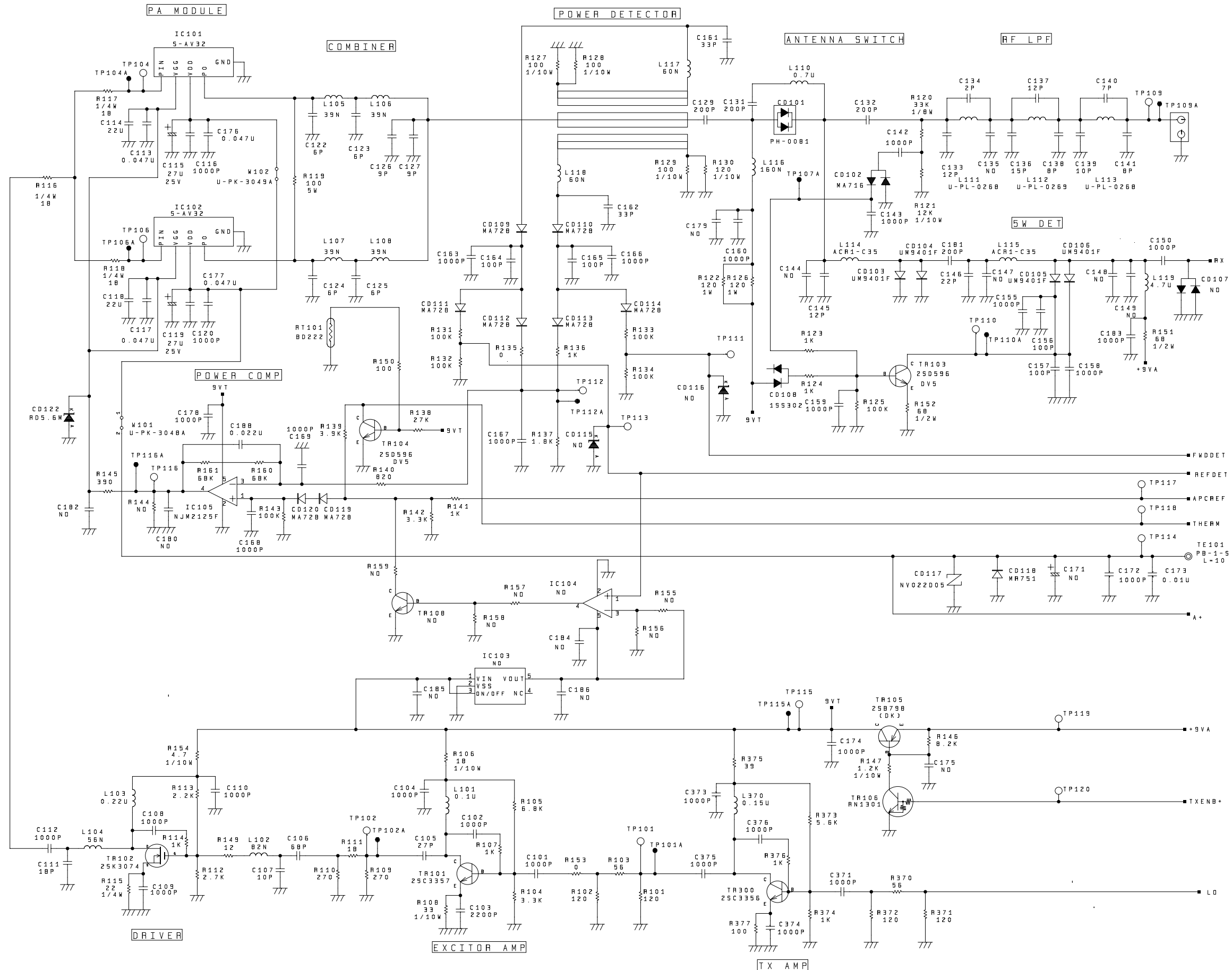


Schematic of M7100 VHF A/L&IF UNIT
 TC-0135V
 EDCMC0022H



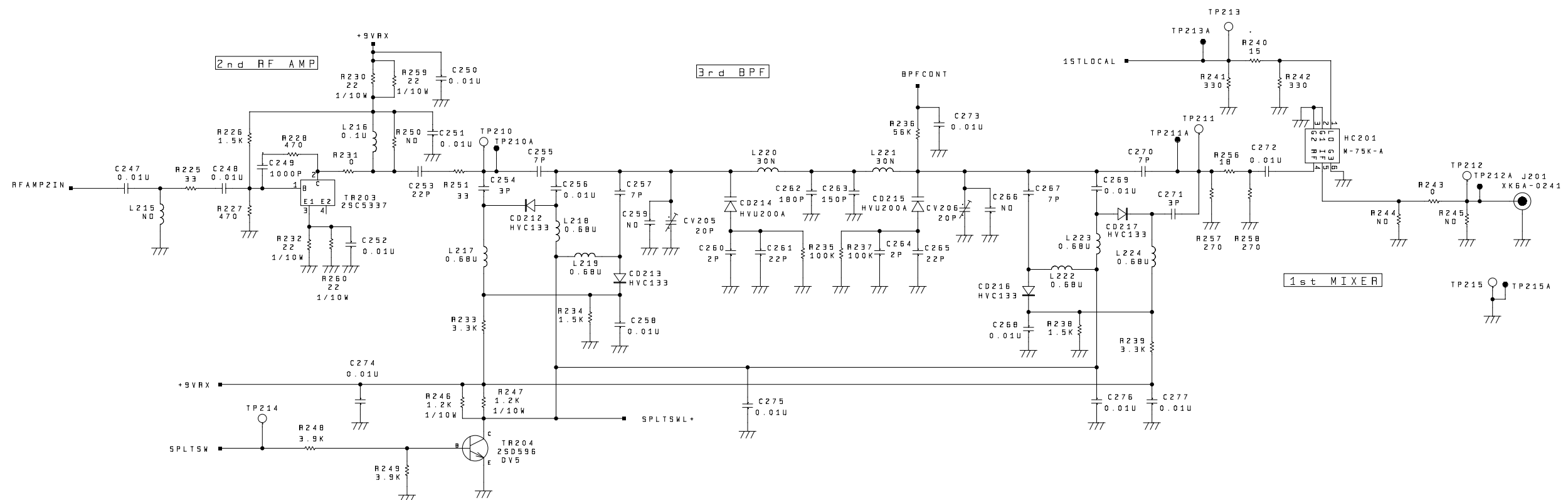
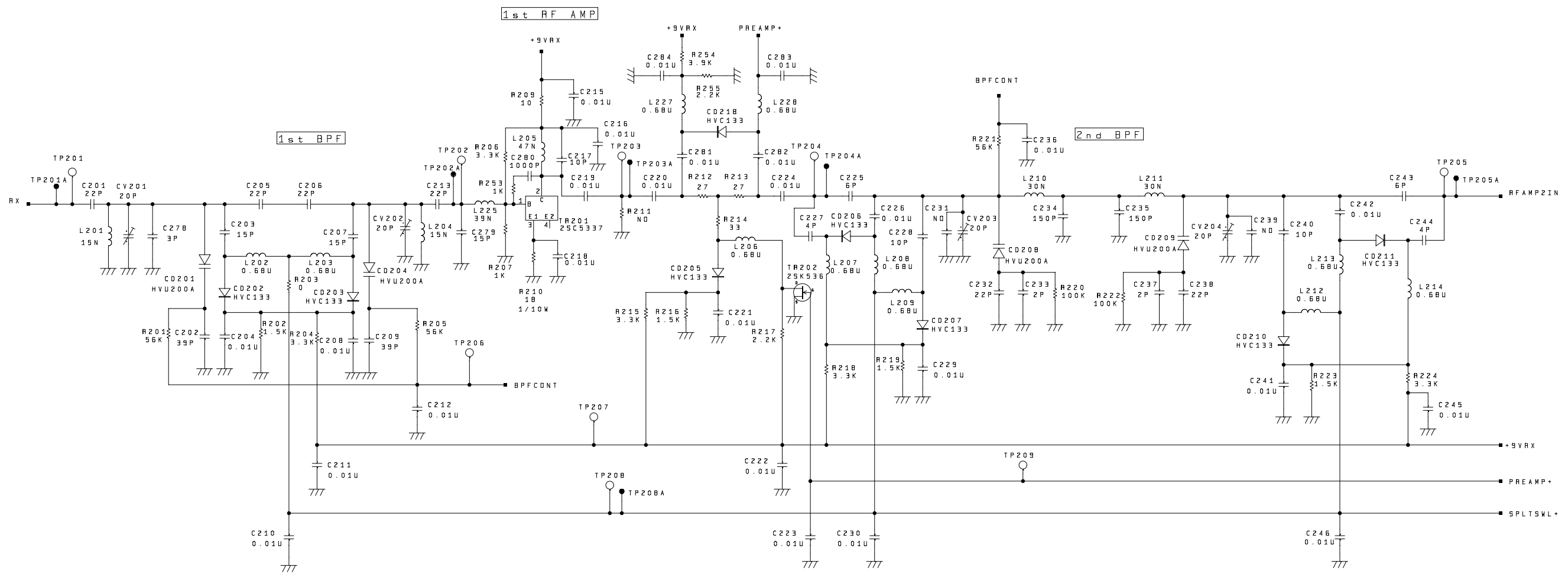
IF BLOCK

Schematic of M7100 VHF A/L&IF UNIT
 TC-0135V
 EDCMC0022H

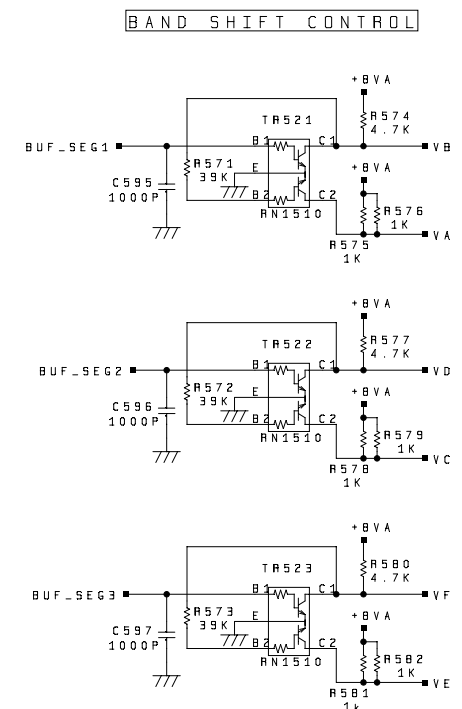
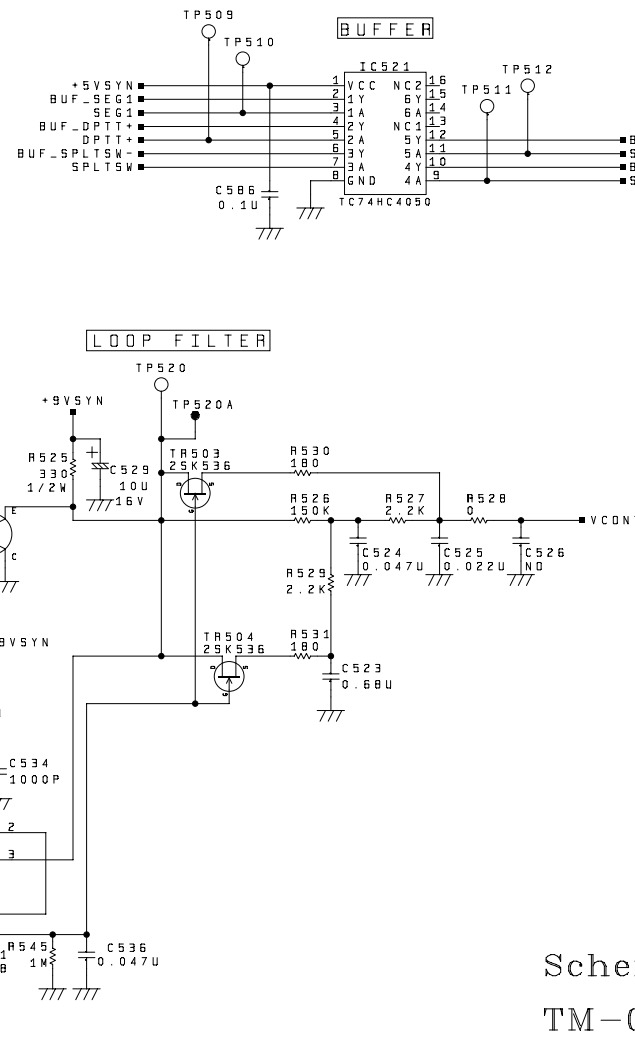
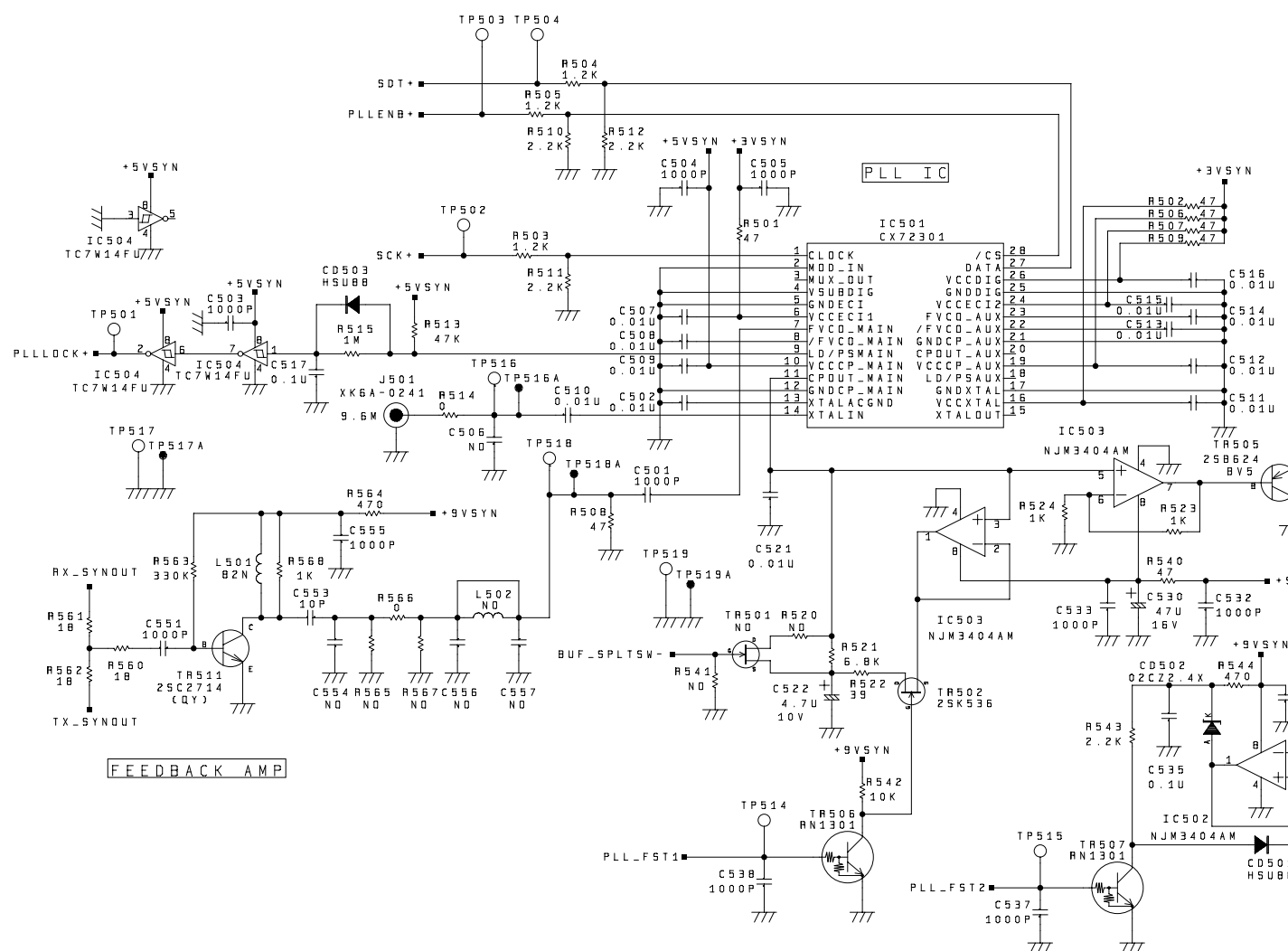
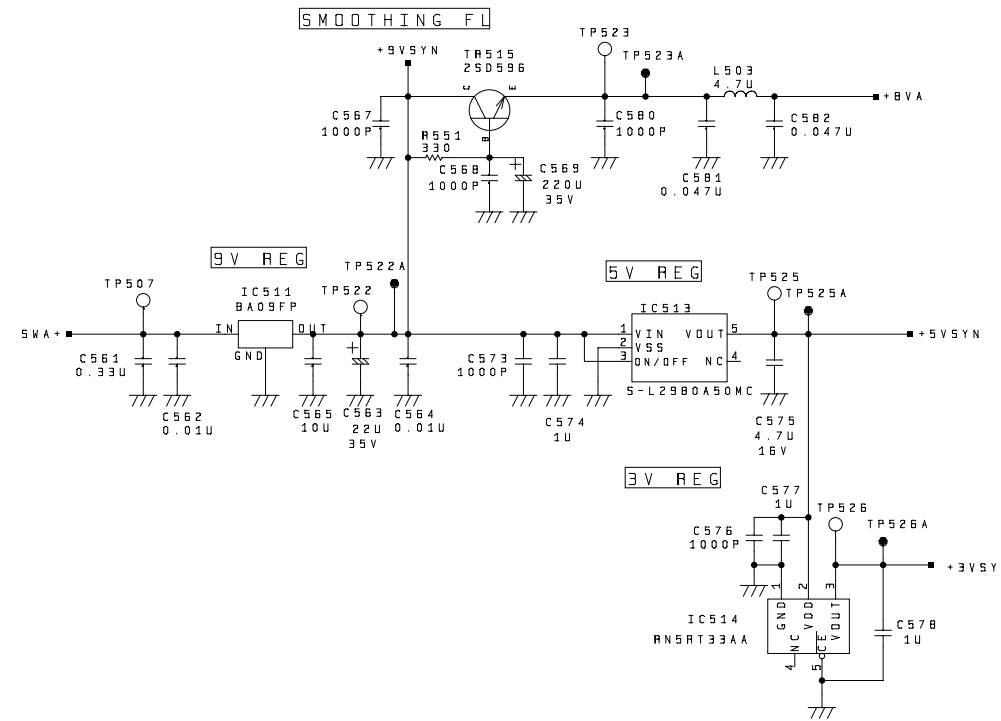
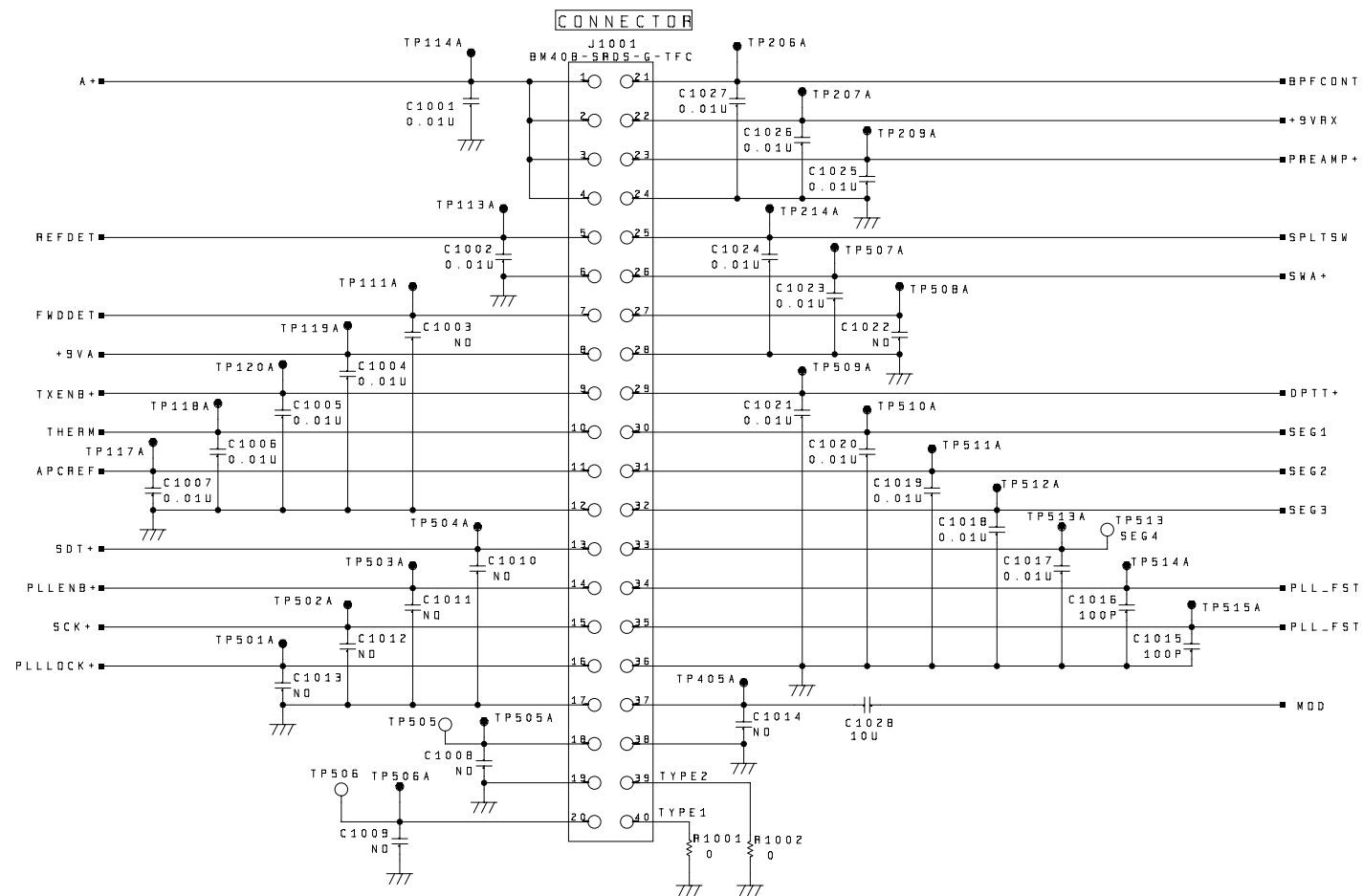


PA Block

Schematic of M7100 VHF TRX/SYNTHESIZER UNIT
 TM-0298
 EDCMN0018I

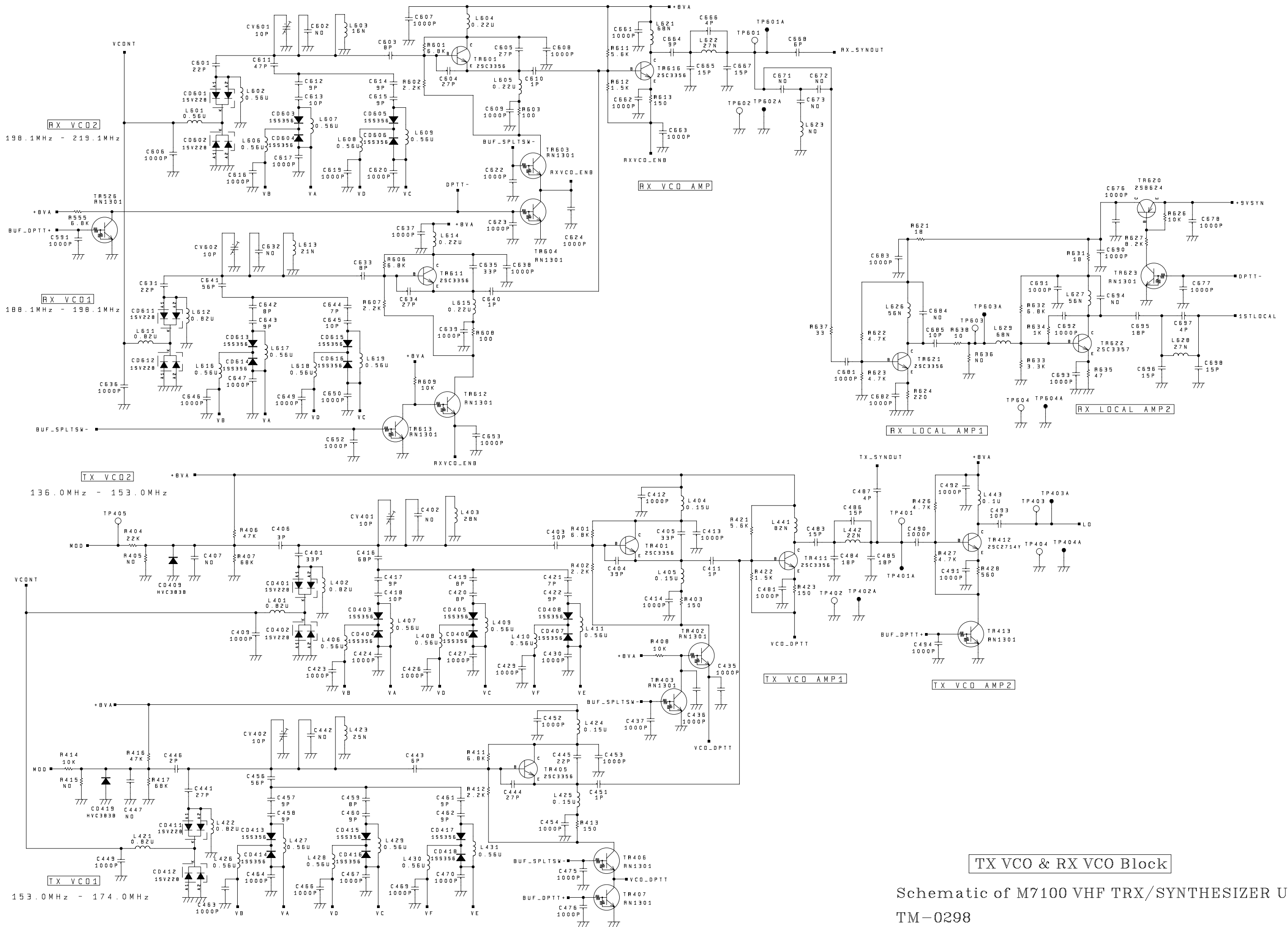


RX RF Block



PLL, Connector, PowerSupply Block

Schematic of M7100 VHF TRX/SYNTHESIZER UNIT
 TM-0298
 EDCMN00181



TX VCO & RX VCO Block

Schematic of M7100 VHF TRX/SYNTHESIZER UNIT
 TM-0298
 EDCMN0018I