
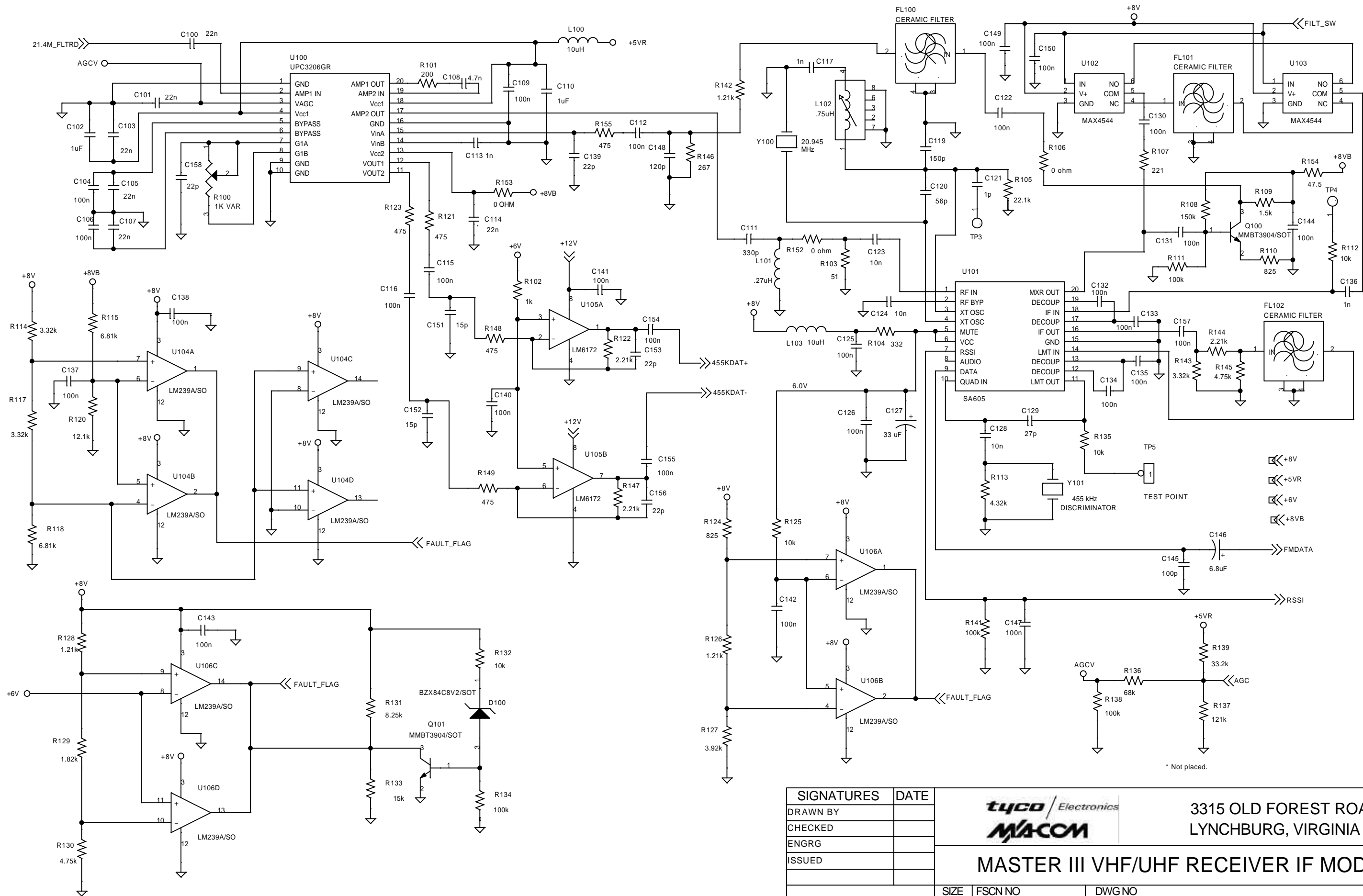


- ⏏ +8V
- ⏏ +12V
- ⏏ +13.8V

SIGNATURES		DATE	 3315 OLD FOREST ROAD LYNCHBURG, VIRGINIA 24501	
DRAWN BY				
CHECKED				
ENGRG				
ISSUED				
		SIZE	FSCN NO	DWGNO
		B	N/A	WD-CB101128
2/22/02 REV A		SCALE	SHEET 1 of 3	

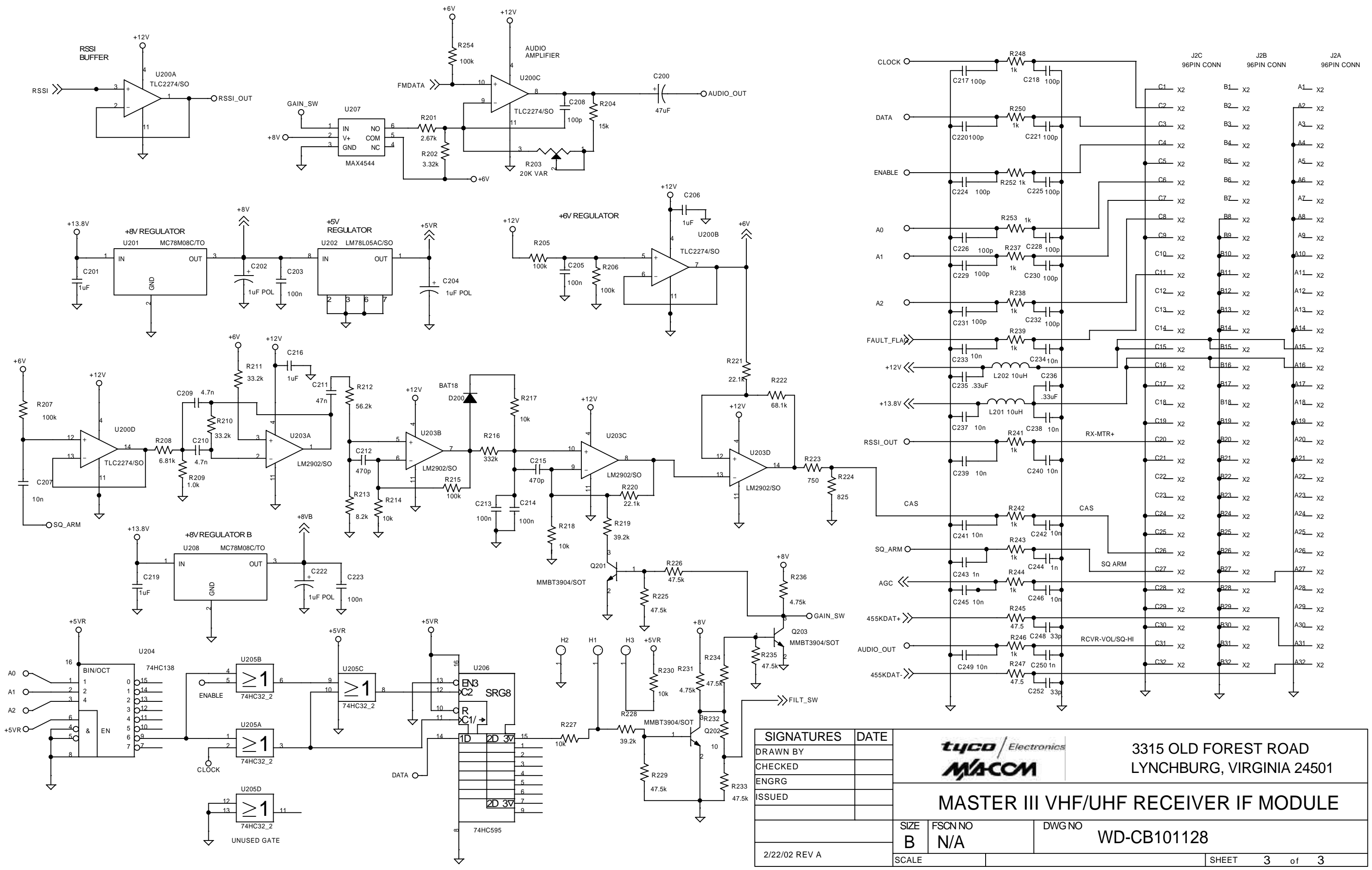


NOTE: TP3 and TP4 are traces on the PWB.



SIGNATURES		DATE
DRAWN BY		
CHECKED		
ENGRG		
ISSUED		
2/22/02 REV A		

		MACOM		3315 OLD FOREST ROAD LYNCHBURG, VIRGINIA 24501	
MASTER III VHF/UHF RECEIVER IF MODULE					
SIZE	FSCN NO	DWG NO			
B	N/A	WD-CB101128			
SCALE			SHEET		2 of 3

* Not placed.



SIGNATURES	DATE
DRAWN BY	
CHECKED	
ENGRG	
ISSUED	
2/22/02 REV A	

 		3315 OLD FOREST ROAD LYNCHBURG, VIRGINIA 24501	
<h3>MASTER III VHF/UHF RECEIVER IF MODULE</h3>			
SIZE	FSCN NO	DWG NO	
B	N/A	WD-CB101128	
SCALE			SHEET 3 of 3