

6

5

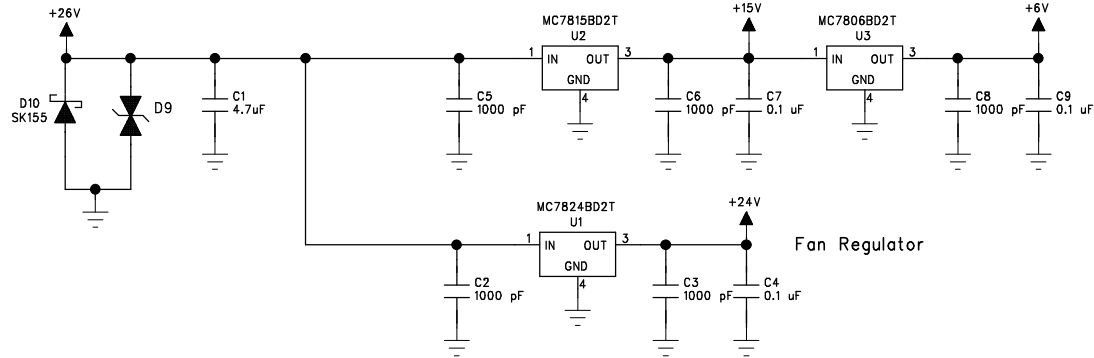
4

3

2

1

REGULATORS



REVISION RECORD			
LTR	ECO NO:	APPROVED:	DATE:

D

C

B

A

D

C

B

A

Proprietary Information
 The information contained in this drawing is the sole property of Crescend Technologies. Any reproduction in part or in whole without the written consent of Crescend Technologies is prohibited.

COMPANY: Crescend Technologies, LLC.
 2255 Lois Drive, Suite #1
 Rolling Meadows, IL 60008

TITLE: Driver Module Board

DRAWN: M. Obermann	DATED: 01/09/02
CHECKED:	DATED:
QUALITY CONTROL:	DATED:
RELEASED:	DATED:

CODE:	SIZE: B	DRAWING NO: 060021A001	REV: P4
SCALE:		SHEET: 1 OF 7	

6

5

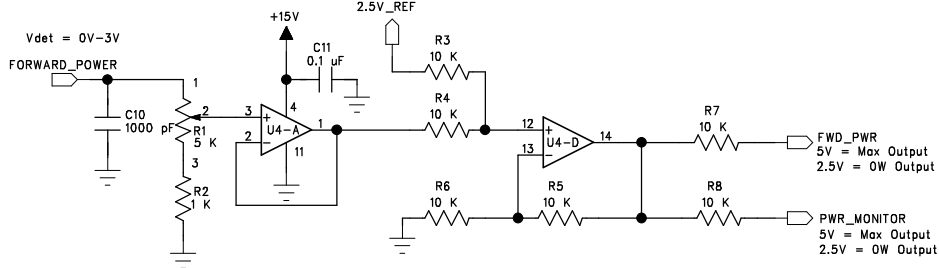
4

3

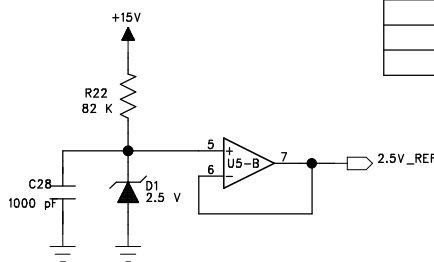
2

1

FORWARD POWER CIRCUITRY

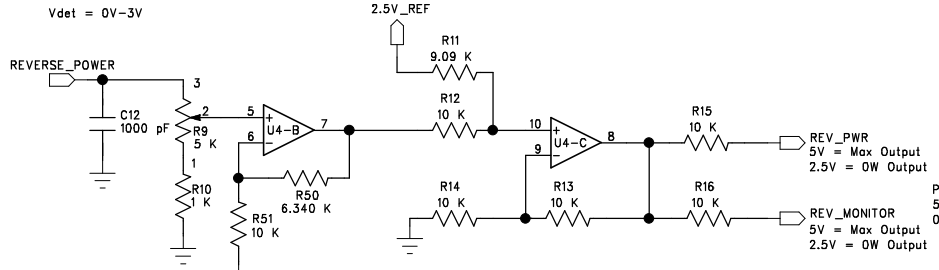


2.5V REFERENCE

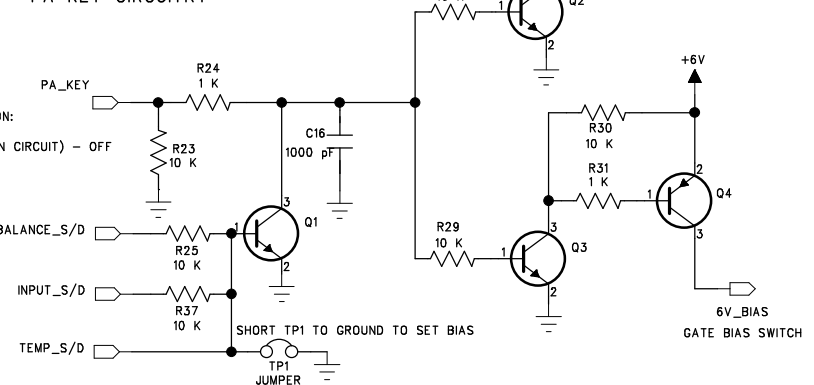


REVISION RECORD			
LTR	ECO NO:	APPROVED:	DATE:

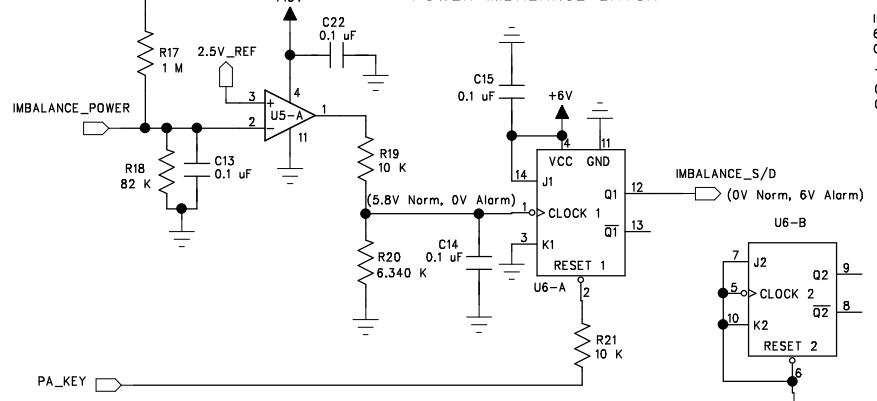
REVERSE POWER CIRCUITRY



PA KEY CIRCUITRY



POWER IMBALANCE LATCH



- IMBALANCE SHUTDOWN
6V - OUTPUT SHUTDOWN
0V - NORMAL OPERATION
- INPUT RF SHUTDOWN
6V - OUTPUT SHUTDOWN
0V - NORMAL OPERATION
- TEMPERATURE SHUTDOWN
0.7V - OUTPUT SHUTDOWN
0V - NORMAL OPERATION

Proprietary Information
The information contained in this drawing is the sole property of Crescend Technologies. Any reproduction in part or in whole without the written consent of Crescend Technologies is prohibited.

COMPANY: Crescend Technologies, LLC.
2255 Lois Drive, Suite #1
Rolling Meadows, IL 60008

TITLE: Driver Module Board

DRAWN: M. Obermann	DATED: 01/09/02
CHECKED:	DATED:
QUALITY CONTROL:	DATED:
RELEASED:	DATED:

CODE:	SIZE: B	DRAWING NO: 060021A001	REV: P4
SCALE:			SHEET: 2 OF 7

D

C

B

A

D

C

B

A

6

5

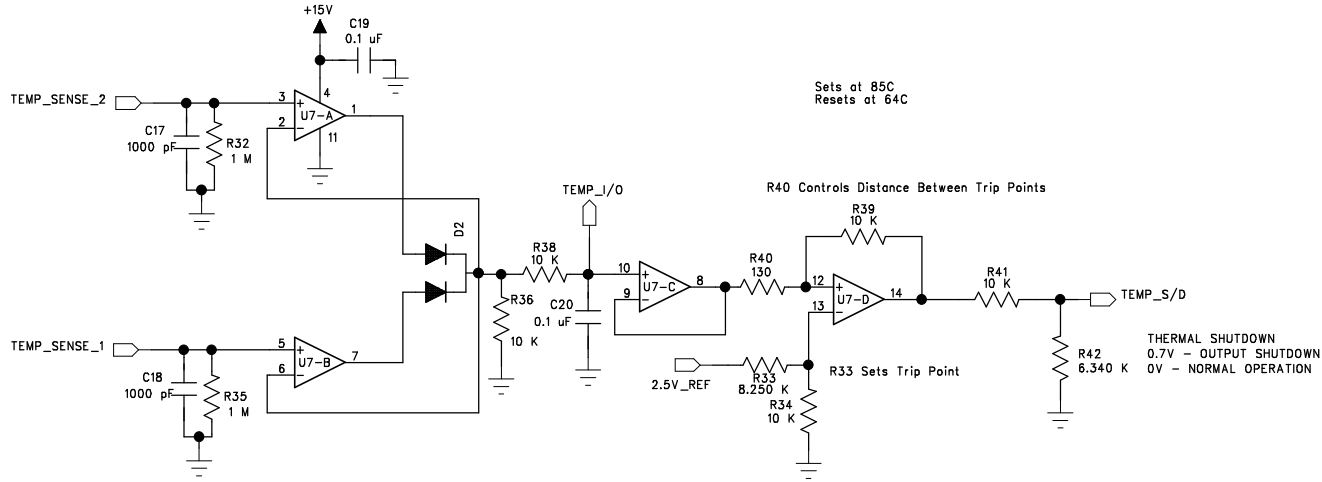
4

3

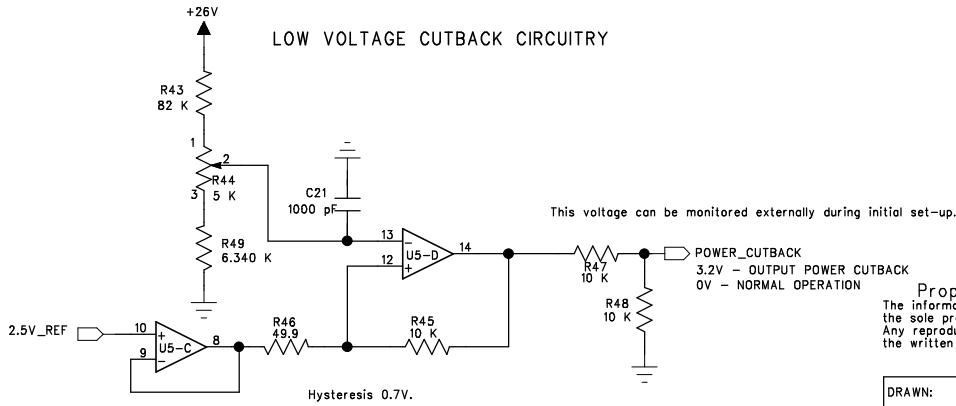
2

1

THERMAL CIRCUITRY



LOW VOLTAGE CUTBACK CIRCUITRY



REVISION RECORD			
LTR	ECO NO:	APPROVED:	DATE:

COMPANY: Crescend Technologies, LLC.
2255 Lois Drive, Suite #1
Rolling Meadows, IL 60008

TITLE: Driver Module Board

DRAWN: M. Obermann	DATED: 01/09/02
CHECKED:	DATED:
QUALITY CONTROL:	DATED:
RELEASED:	DATED:

CODE:	SIZE: B	DRAWING NO: 060021A001	REV: P4
SCALE:		SHEET: 3 OF 7	

Proprietary Information
The information contained in this drawing is the sole property of Crescend Technologies. Any reproduction in part or in whole without the written consent of Crescend Technologies is prohibited.

6

5

4

3

2

1

REVISION RECORD			
LTR	ECO NO:	APPROVED:	DATE:

D

D

C

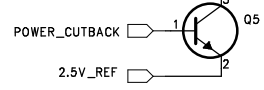
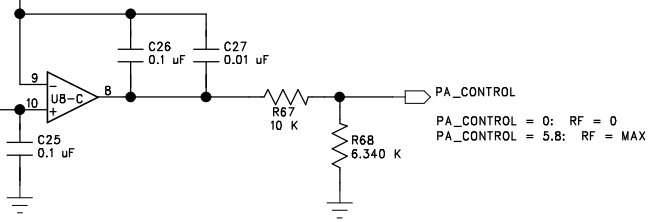
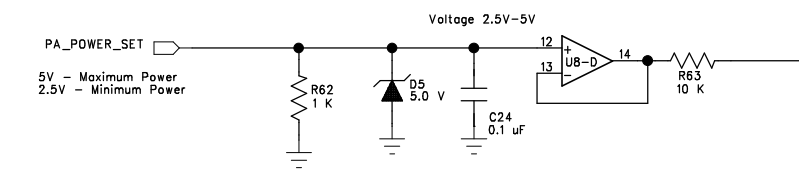
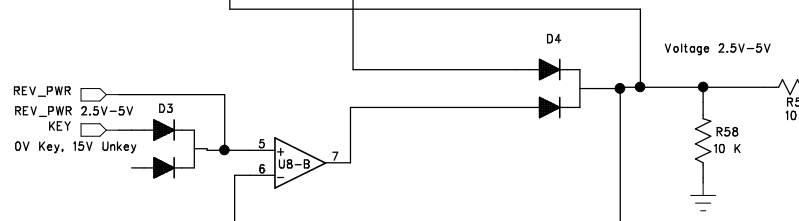
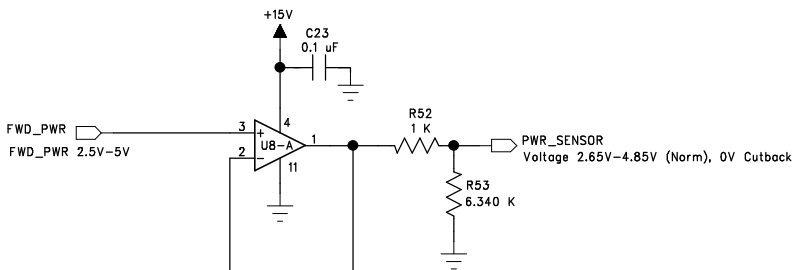
C

B

B

A

A



Output power drops to about 80-85% of full power when cutback is in operation.

Proprietary Information
 The information contained in this drawing is the sole property of Crescend Technologies. Any reproduction in part or in whole without the written consent of Crescend Technologies is prohibited.

COMPANY: Crescend Technologies, LLC.
 2255 Lois Drive, Suite #1
 Rolling Meadows, IL 60008

TITLE: Driver Module Board

DRAWN: M. Obermann	DATED: 01/09/02
CHECKED:	DATED:
QUALITY CONTROL:	DATED:
RELEASED:	DATED:

CODE:	SIZE: B	DRAWING NO: 060021A001	REV: P4
SCALE:			SHEET: 4 OF 7

6

5

4

3

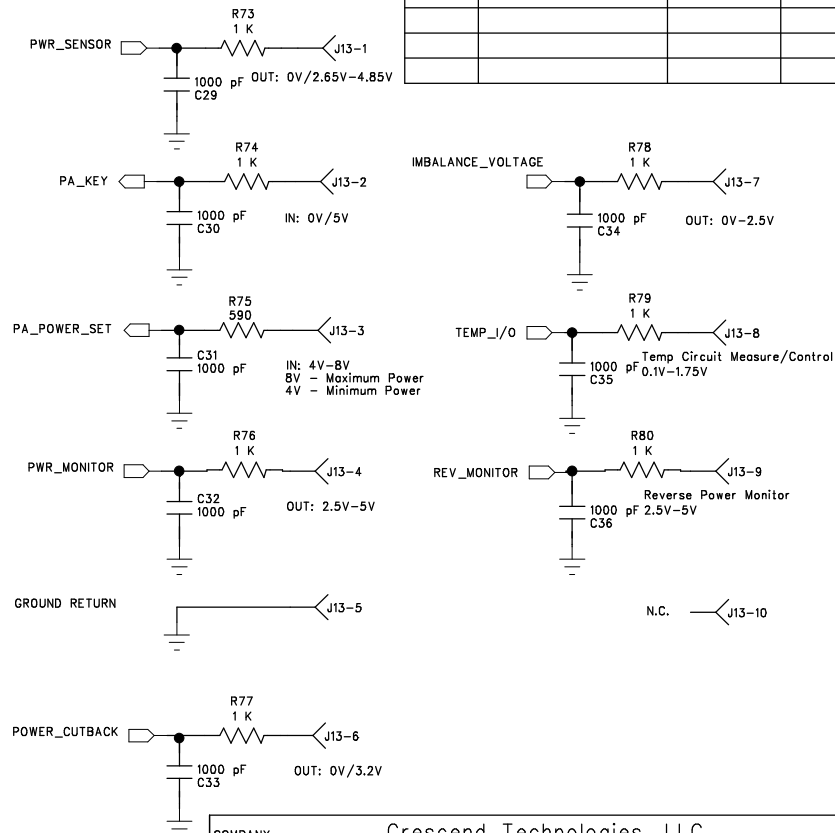
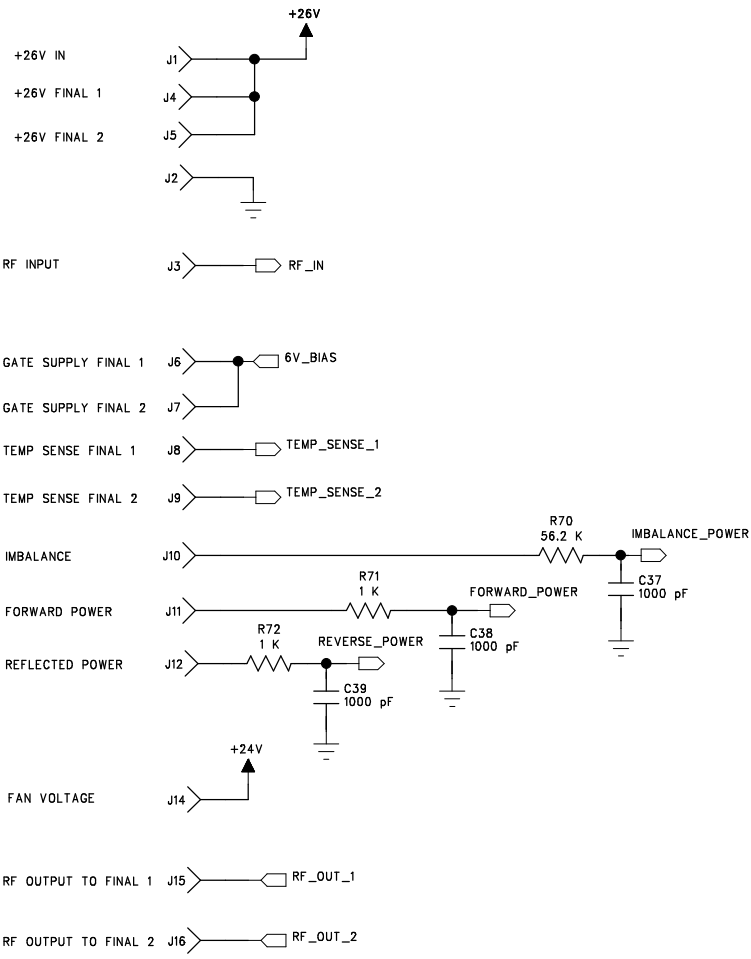
2

1

Driver Board Connections

Monitor Pin Connections

REVISION RECORD			
LTR	ECO NO:	APPROVED:	DATE:



Proprietary Information
 The information contained in this drawing is the sole property of Crescend Technologies. Any reproduction in part or in whole without the written consent of Crescend Technologies is prohibited.

COMPANY: Crescend Technologies, LLC.
 2255 Lois Drive, Suite #1
 Rolling Meadows, IL 60008

TITLE: Driver Module Board

D

C

B

A

D

C

B

A

DRAWN: M. Obermann	DATED: 01/09/02	CODE:	SIZE: B	DRAWING NO: 060021A001	REV: P4
CHECKED:	DATED:				
QUALITY CONTROL:	DATED:	SCALE:			SHEET: 5 OF 7
RELEASED:	DATED:				

6

5

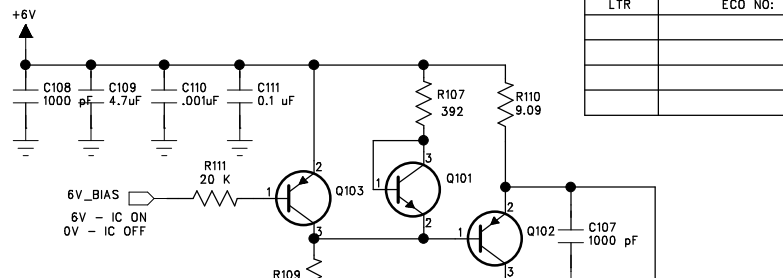
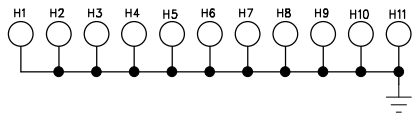
4

3

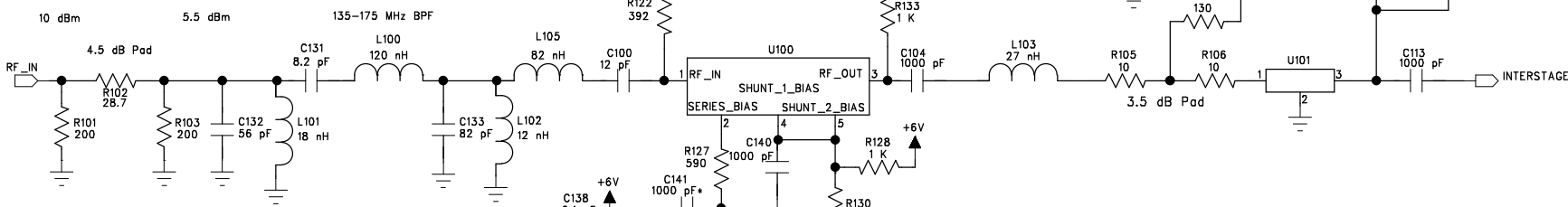
2

1

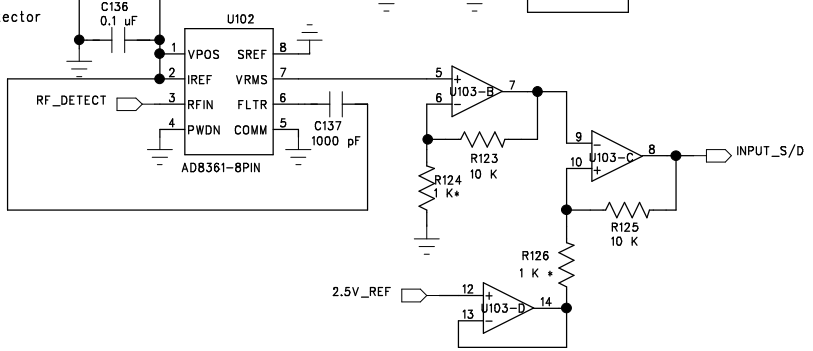
REVISION RECORD			
LTR	ECO NO:	APPROVED:	DATE:



Power levels are under normal operation.



Input Detector



Proprietary Information
 The information contained in this drawing is the sole property of Crescend Technologies. Any reproduction in part or in whole without the written consent of Crescend Technologies is prohibited.

COMPANY: Crescend Technologies, LLC.
 2255 Lois Drive, Suite #1
 Rolling Meadows, IL 60008

TITLE: Driver Module Board

DRAWN: M. Obermann	DATED: 01/09/02
CHECKED:	DATED:
QUALITY CONTROL:	DATED:
RELEASED:	DATED:

CODE:	SIZE: B	DRAWING NO: 060021A001	REV: P4
SCALE:			SHEET: 6 OF 7

D

D

C

C

B

B

A

A

6

5

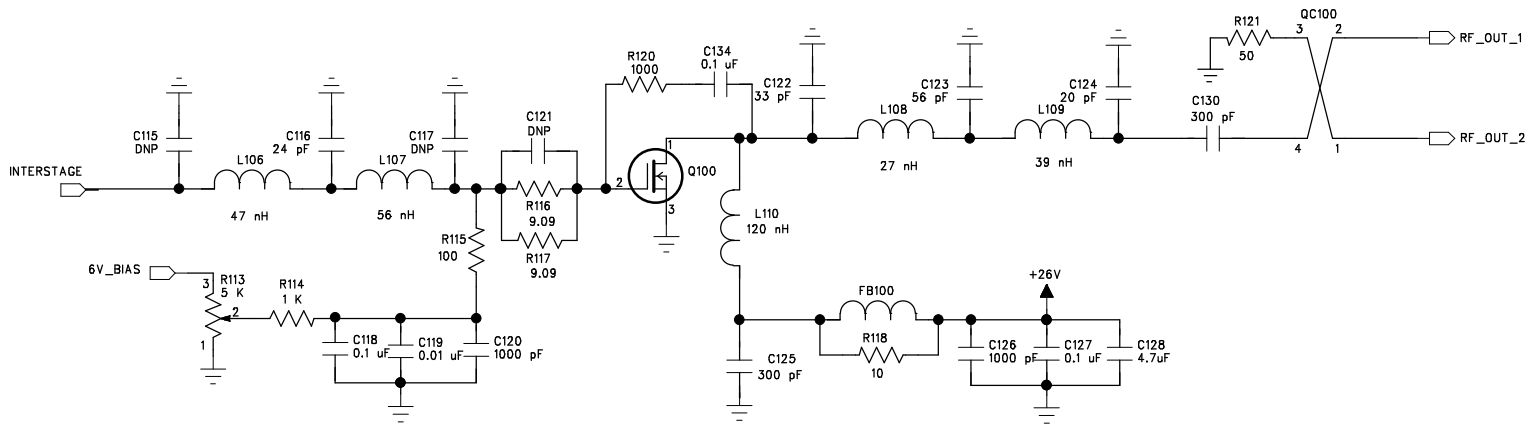
4

3

2

1

REVISION RECORD			
LTR	ECO NO:	APPROVED:	DATE:



Proprietary Information
 The information contained in this drawing is the sole property of Crescend Technologies. Any reproduction in part or in whole without the written consent of Crescend Technologies is prohibited.

COMPANY: Crescend Technologies, LLC.
 2255 Lois Drive, Suite #1
 Rolling Meadows, IL 60008

TITLE: Driver Module Board

DRAWN: M. Obermann	DATED: 01/09/02
CHECKED:	DATED:
QUALITY CONTROL:	DATED:
RELEASED:	DATED:

CODE:	SIZE: B	DRAWING NO: 060021A001	REV: P4
SCALE:		SHEET: 7 OF 7	

D

D

C

C

B

B

A

A

6

5

4

3

2

1

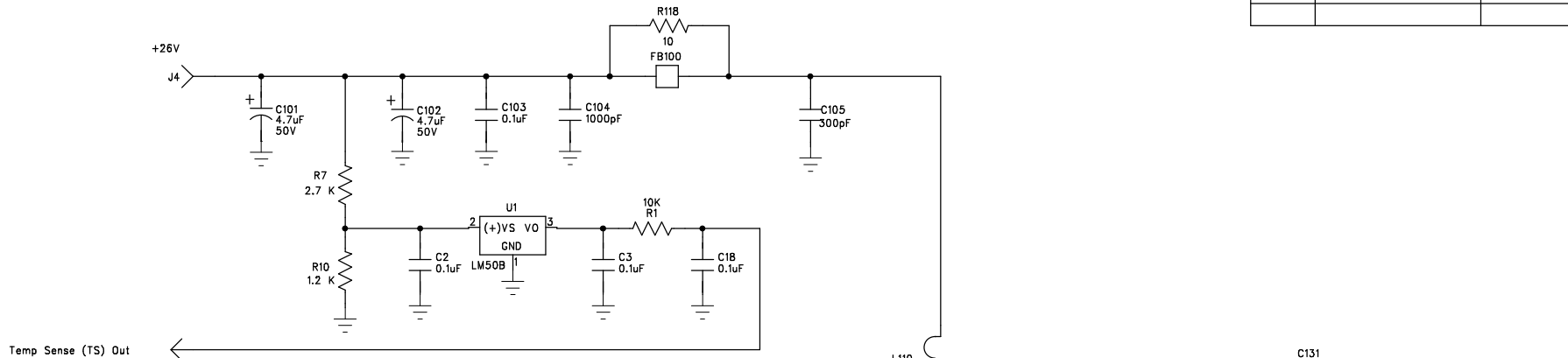
REVISION RECORD			
LTR	ECO NO:	APPROVED:	DATE:

D

D

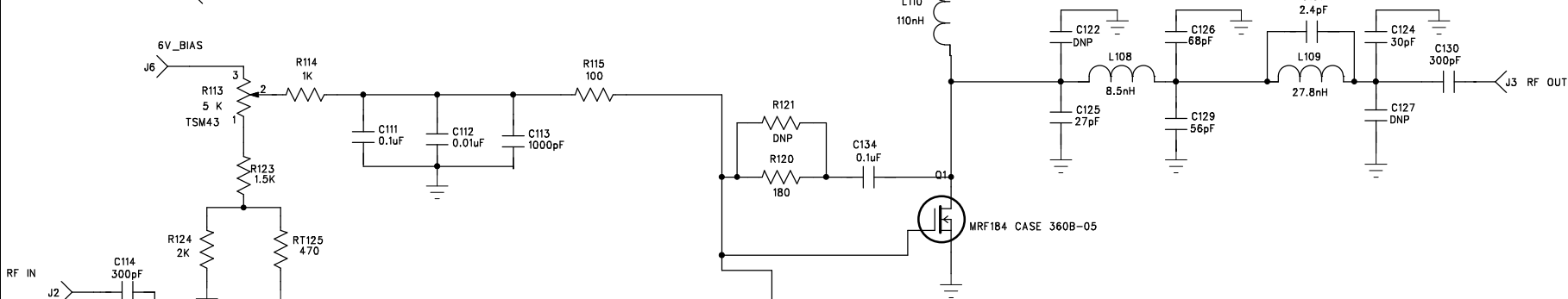
C

C



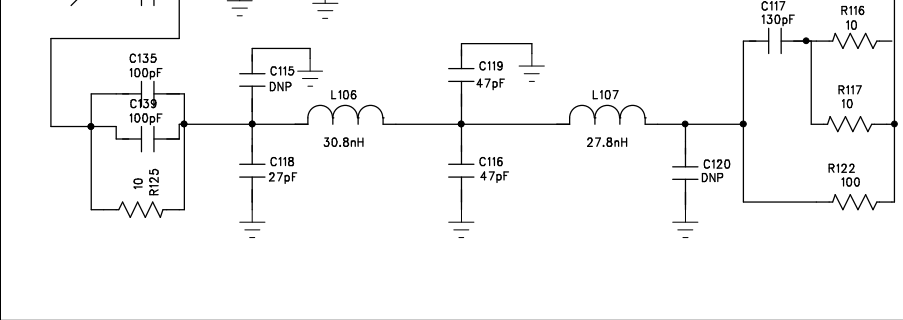
B

B



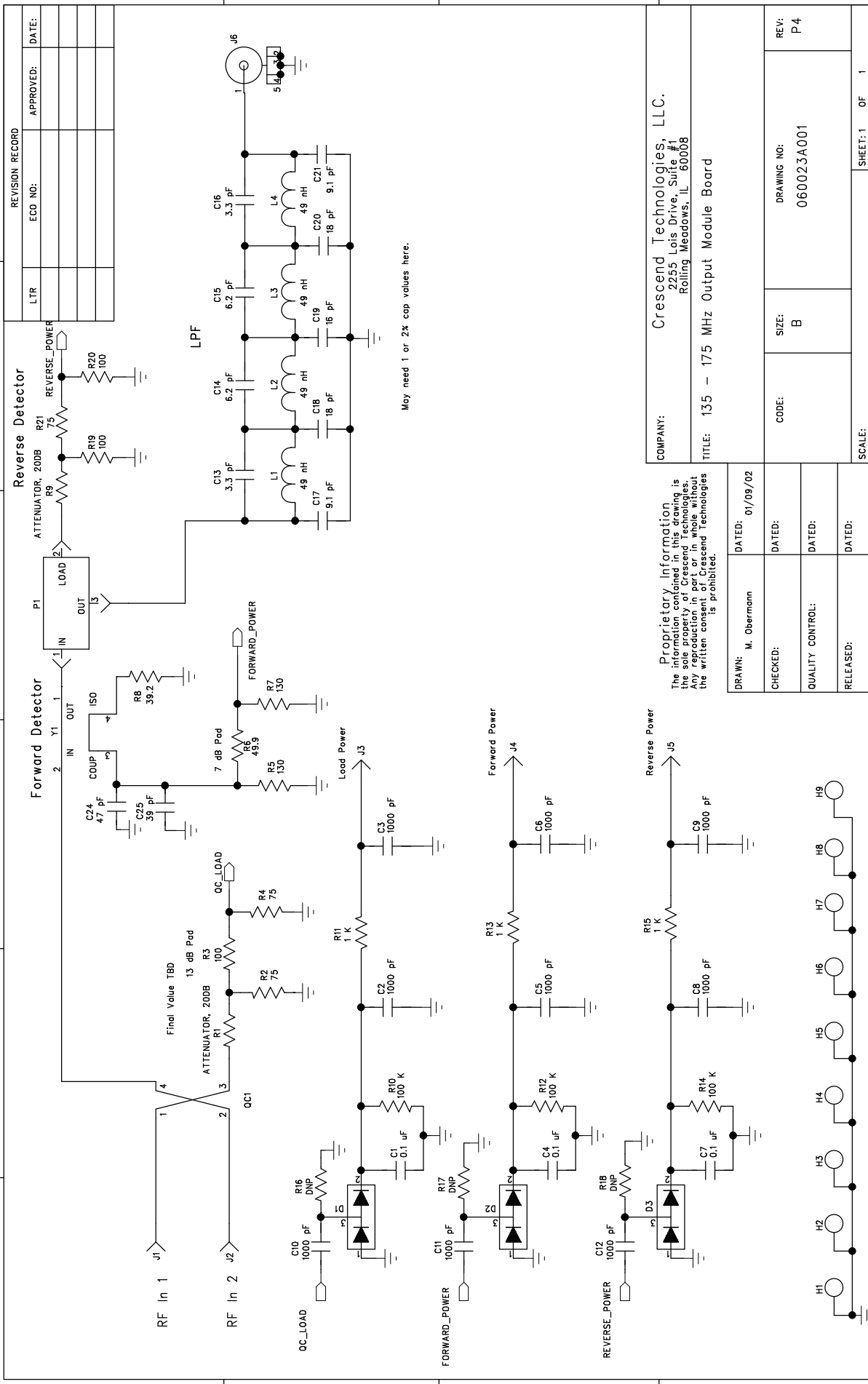
A

A



Proprietary Information
 The information contained in this drawing is the sole property of Crescend Technologies. Any reproduction in part or in whole without the written consent of Crescend Technologies Company is prohibited.

COMPANY:		Crescend Technologies, LLC. 2255 Lois Drive, Suite #1 Rolling Meadows, IL 60008		
TITLE:		Final Pallet		
DRAWN:	DATED:	CODE:	SIZE:	DRAWING NO:
S. Serlin	01/13/03		B	060022A001
CHECKED:	DATED:			REV:
				P7
QUALITY CONTROL:	DATED:			
RELEASED:	DATED:			
SCALE:				SHEET: 1 OF 1



A

DRAWING NO:	060023A001
REV:	P 4
SIZE:	B
CODE:	
SCALE:	SHEET: 1 OF 1

A

B

B

C

C

D

D

May need 1 or 2x cap values here.