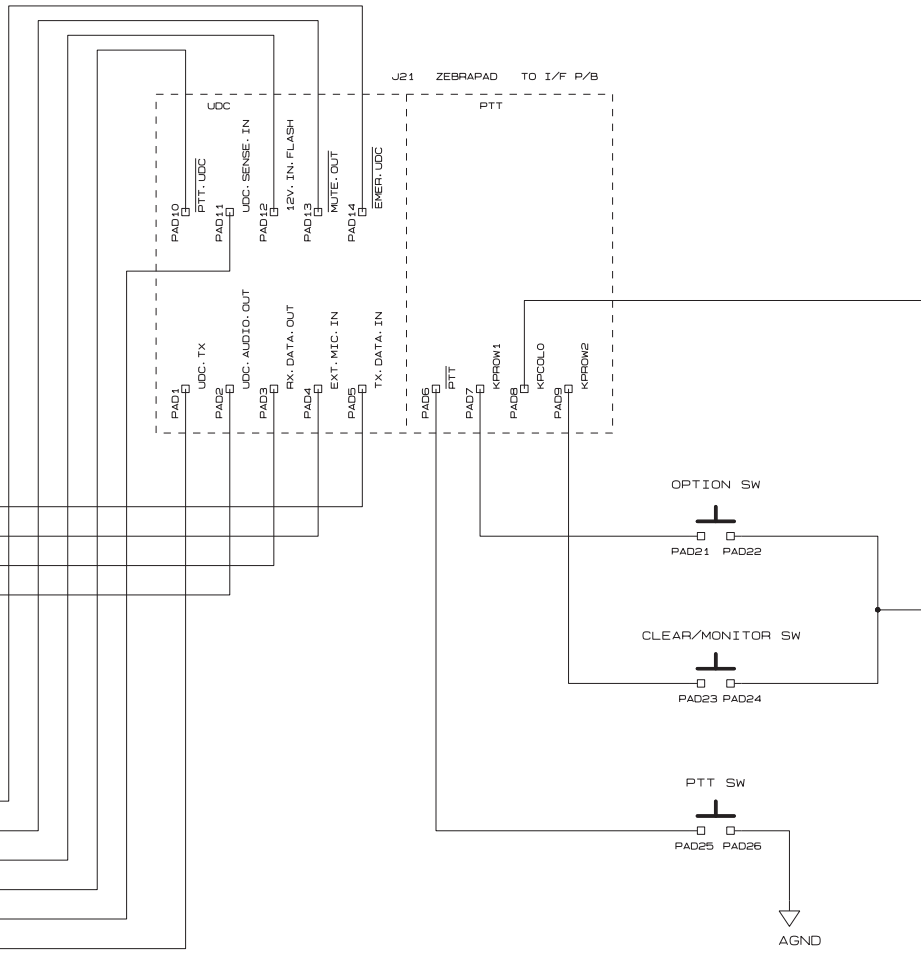
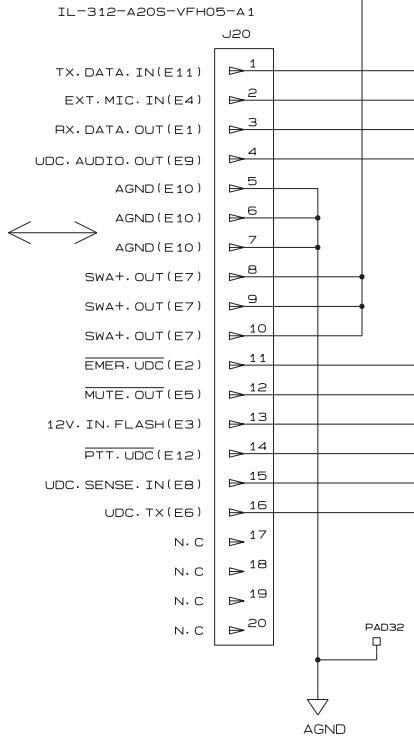
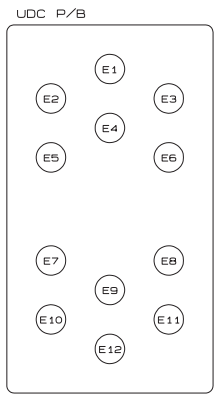


## **APPENDIX E: SCHEMATICS**

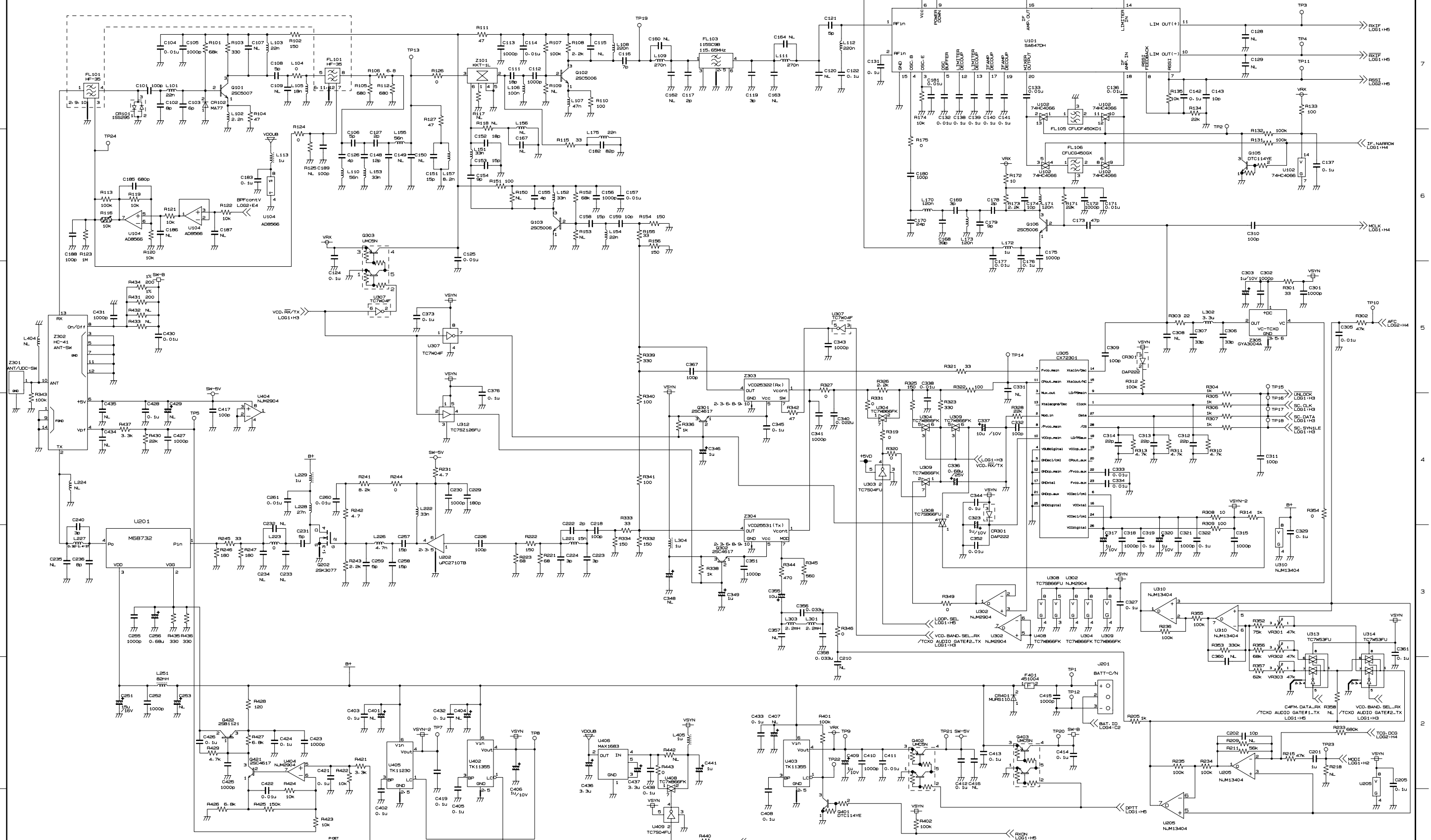
Please refer to the following pages.

REVISIONS	SYM	DATE	POSITION	DESCRIPTION	REVISED	CHECKED	APPROVED
1	△						
2	△						
3	△						
4	△						
5	△						



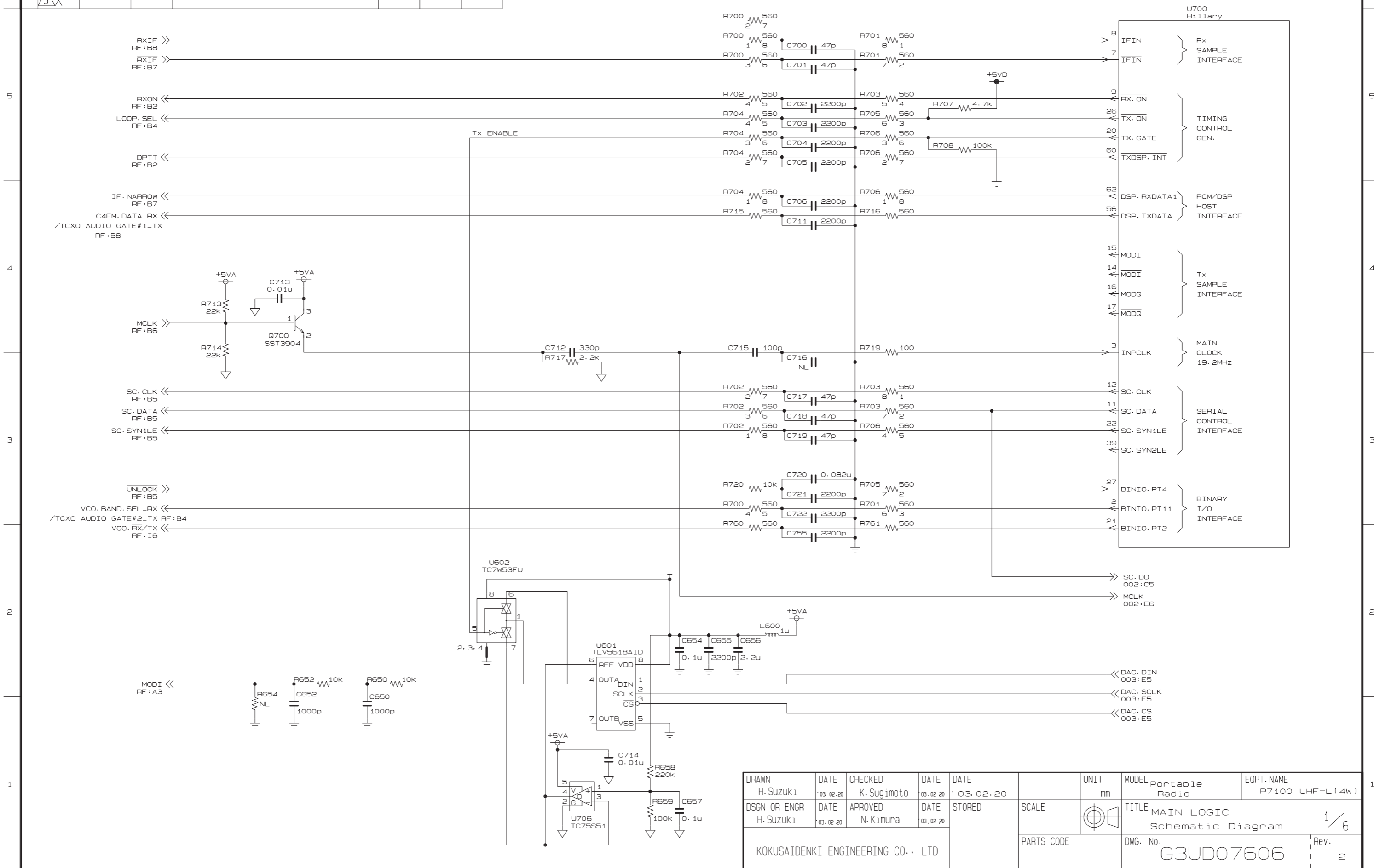
DRAWN H. Hikichi 02.07.20	DATE 02.07.22	CHECKED K. Sugimoto 02.07.22	DATE 02.07.22	DATE 02.07.22	UNIT mm	MODEL Portable Radio	EQPT. NAME P7100
DSGN OR ENGR H. Hikichi 02.07.20	DATE 02.07.22	APPROVED N. Kimura 02.07.22	DATE 02.07.22	STORED	SCALE	TITLE FLEX P/B Schematic Diagram	1/1
KOKUSAIDENKI ENGINEERING CO., LTD					PARTS CODE	DWG. No. G3UD07276	Rev. 0

SYMBOL	DATE	POSITION	DESCRIPTION	REVISED	CHECKED	APPROVED
△/X	03.3.12		Rev up	H. Suzuki	K. Sugimoto	N. Kimura
△/X	03.3.19		Rev up	H. Suzuki	K. Sugimoto	N. Kimura
△/X	03.3.27		Rev up	H. Suzuki	K. Sugimoto	N. Kimura
△/X	03.3.28		Rev up	H. Suzuki	K. Sugimoto	N. Kimura
△/X	03.4.21		Rev up	H. Suzuki	K. Sugimoto	N. Kimura



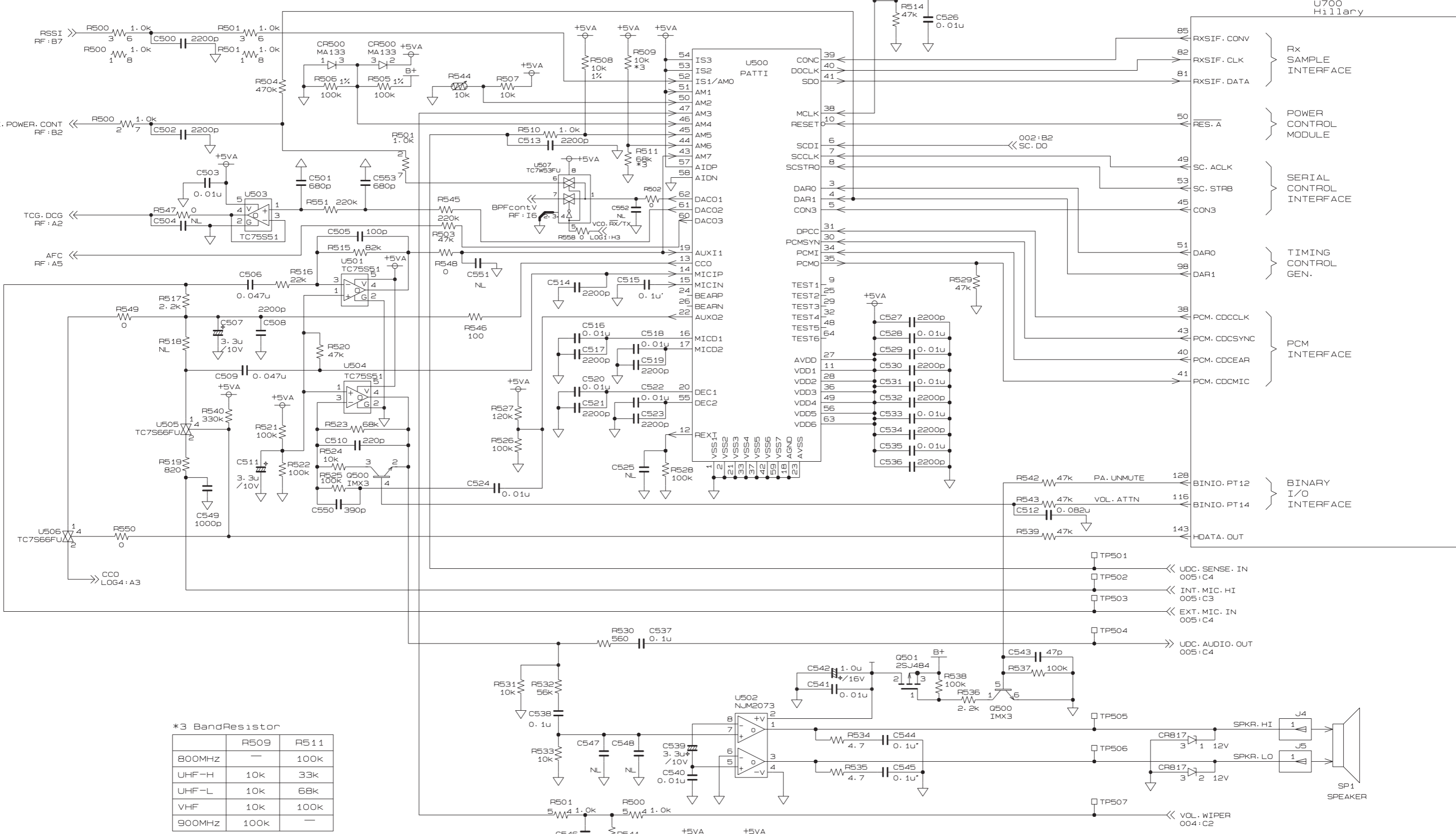
DRAWN	DATE	CHECKED	DATE	UNIT	MODEL	EQPT. NAME
H. Suzuki	03.2.20	K. Sugimoto	03.2.20	mm	Portable Radio	P7100 UHF-L(4W)
DSGN OR ENGR	DATE	APPROVED	DATE	SCALE	TITLE	
H. Suzuki	03.2.20	N. Kimura	03.2.20		MAIN RADIO Schematic Diagram	1/1
KOKUSAIDENKI ENGINEERING CO., LTD				PARTS CODE	DWG. No.	Rev.
					G2UD07605	5

REVISIONS	SYM	DATE	POSITION	DESCRIPTION	REVISED	CHECKED	APPROVED
1	X	03.03.12		Rev up	S.Kumagai	K.Sugimoto	N.Kimura
2	X	03.03.28		Rev up	S.Kumagai	K.Sugimoto	N.Kimura
3	X						
4	X						
5	X						



DRAWN H. Suzuki	DATE 03.02.20	CHECKED K. Sugimoto	DATE 03.02.20	DATE 03.02.20	UNIT mm	MODEL Portable Radio	EQPT. NAME P7100 UHF-L (4W)
DSGN OR ENGR H. Suzuki	DATE 03.02.20	APPROVED N. Kimura	DATE 03.02.20	STORED	SCALE	TITLE MAIN LOGIC Schematic Diagram	1/6
KOKUSAIDENKI ENGINEERING CO., LTD						PARTS CODE	DWG. No. G3UD07606
							Rev. 2

REVISTIONS	SYM	DATE	POSITION	DESCRIPTION	REVISED	CHECKED	APPROVED
1	X	03.03.12		Rev up	S.Kumagai	K.Sugimoto	N.Kimura
2	X	03.03.28		Rev up	S.Kumagai	K.Sugimoto	N.Kimura
3	X						
4	X						
5	X						

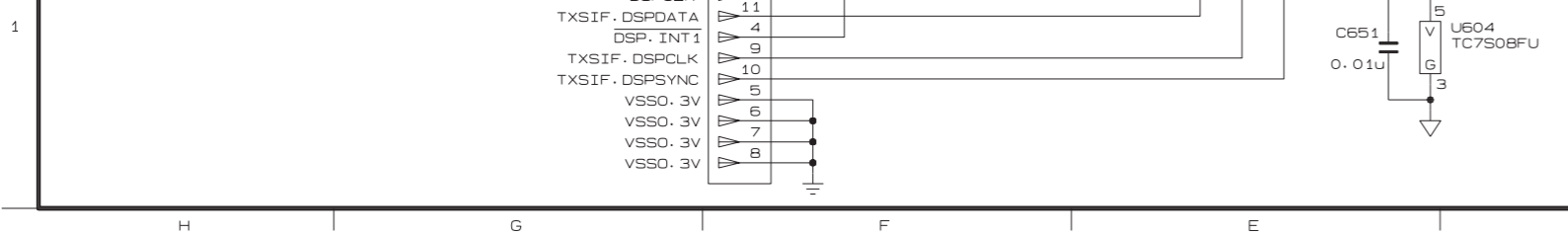
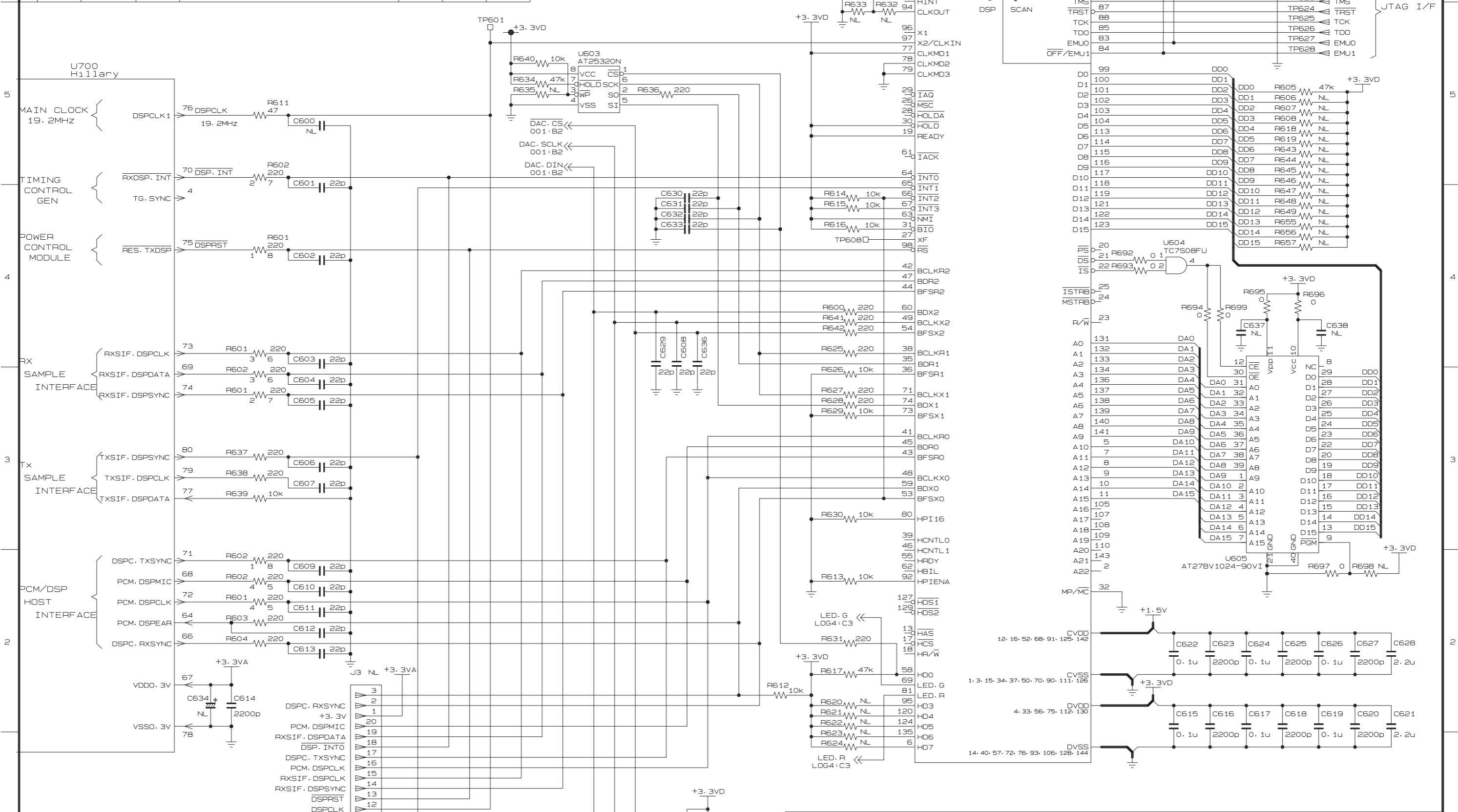


\*3 BandResistor

	R509	R511
800MHZ	—	100k
UHF-H	10k	33k
UHF-L	10k	68k
VHF	10k	100k
900MHZ	100k	—

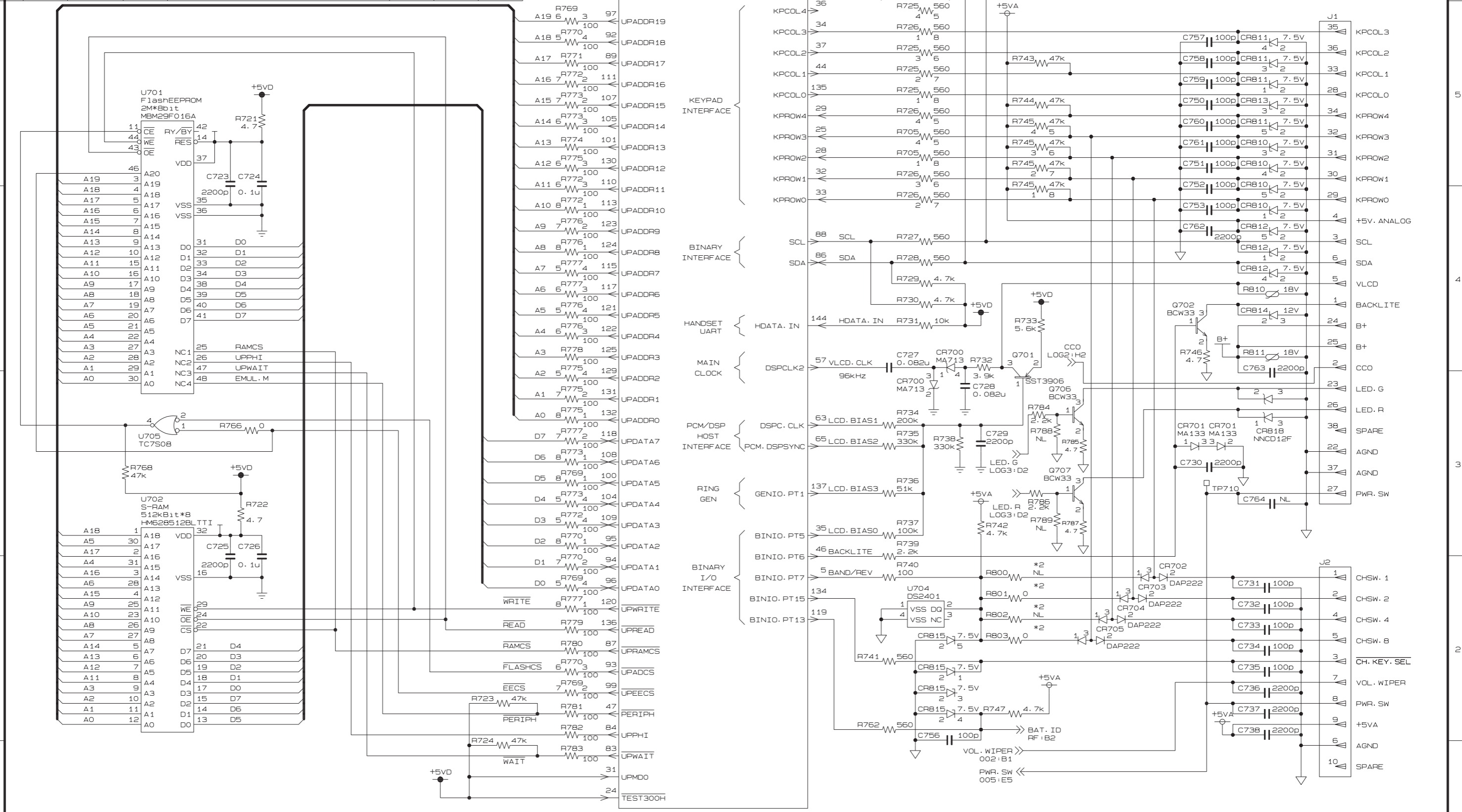
DRAWN H. Suzuki	DATE 03.02.20	CHECKED K. Sugimoto	DATE 03.02.20	DATE 03.02.20	UNIT mm	MODEL Portable Radio	EQPT. NAME P7100 UHF-L (4W)
DSGN OR ENGR H. Suzuki	DATE 03.02.20	APPROVED N. Kimura	DATE 03.02.20	STORED	SCALE	TITLE MAIN LOGIC Schematic Diagram	2/6
KOKUSAIDENKI ENGINEERING CO., LTD						PARTS CODE	DWG. No. G3UD07606
						Rev.	2

SYMBOL	DATE	POSITION	DESCRIPTION	REVISED	CHECKED	APPROVED
1	03.03.12		Rev up	S. Kumagai	K. Sugimoto	N. Kimura
2	03.03.28		Rev up	S. Kumagai	K. Sugimoto	N. Kimura
3						
4						
5						



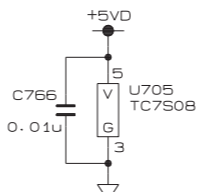
DRAWN H. Suzuki	DATE '03.02.20	CHECKED K. Sugimoto	DATE '03.02.20	DATE '03.02.20	UNIT mm	MODEL Portable Radio	EQPT. NAME P7100 UHF-L(4w)
DSGN OR ENGR H. Suzuki	DATE '03.02.20	APPROVED N. Kimura	DATE '03.02.20	STORED	SCALE	TITLE MAIN LOGIC Schematic Diagram	3/6
KOKUSAI DENKI ENGINEERING CO., LTD					PARTS CODE	DWG. No. G3UD07606	Rev. 2

SYMBOL	DATE	POSITION	DESCRIPTION	REVISED	CHECKED	APPROVED
1	03.03.12		Rev up	S. Kumagai	K. Sugimoto	N. Kimura
2	03.03.28		Rev up	S. Kumagai	K. Sugimoto	N. Kimura
3						
4						
5						



\*2 Hardware Revision, Device Select

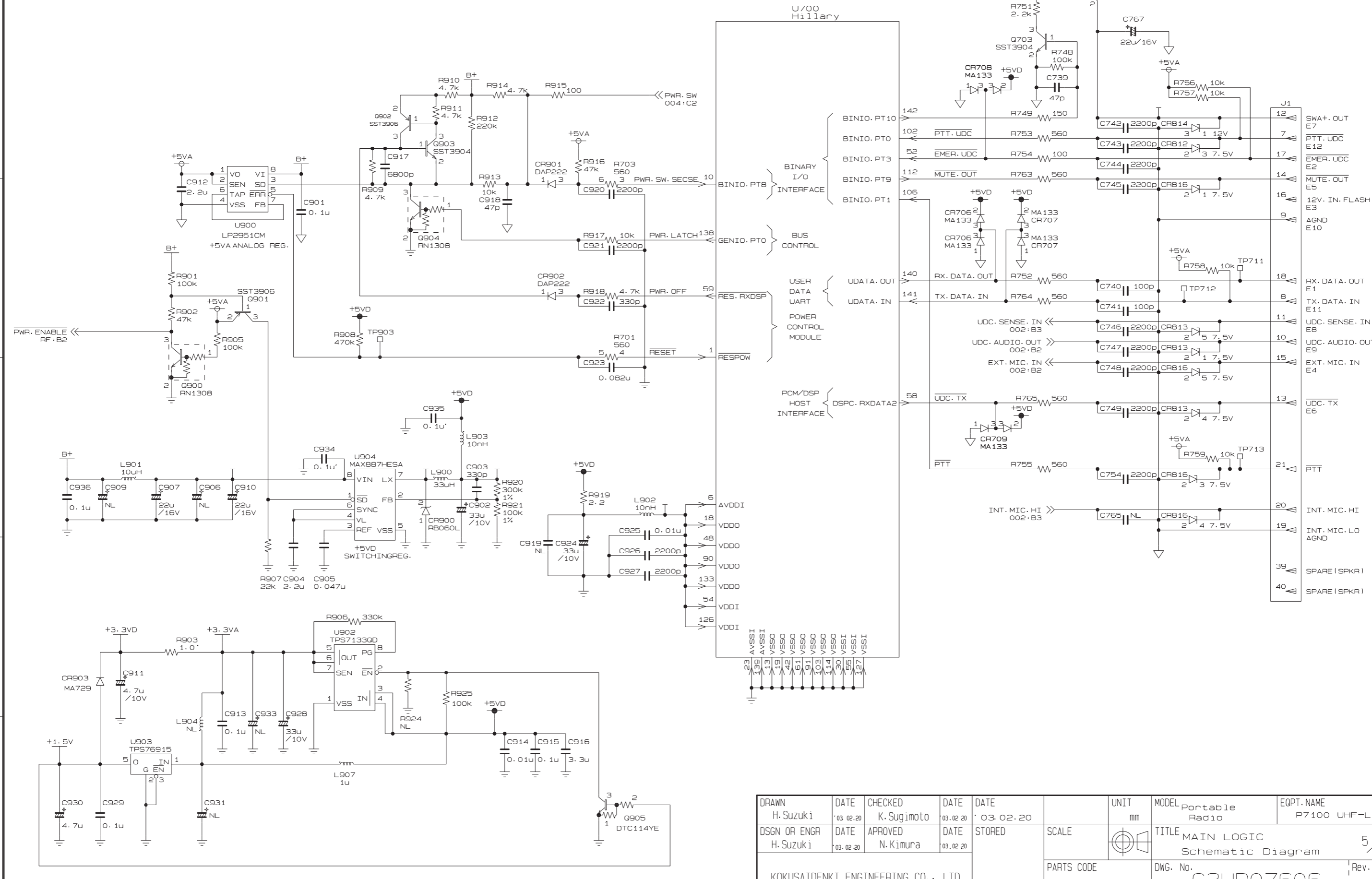
	R803	R802	Device	Open	Short
RA0	Short	Short	R800	VC5416	LC56
RA1	Short	Open	R801	SA7025	CX72301
RA2	Open	Short			
RA3	Open	Open			



DRAWN H. Suzuki	DATE '03.02.20	CHECKED K. Sugimoto	DATE 03.02.20	DATE '03.02.20	UNIT mm	MODEL Portable Radio	EQPT. NAME P7100 UHF-L (4w)
DSGN OR ENGR H. Suzuki	DATE '03.02.20	APPROVED N. Kimura	DATE 03.02.20	STORED	SCALE	TITLE MAIN LOGIC Schematic Diagram	4/6
KOKUSAIDENKI ENGINEERING CO., LTD						PARTS CODE	DWG. No. G3UD07606 Rev. 2



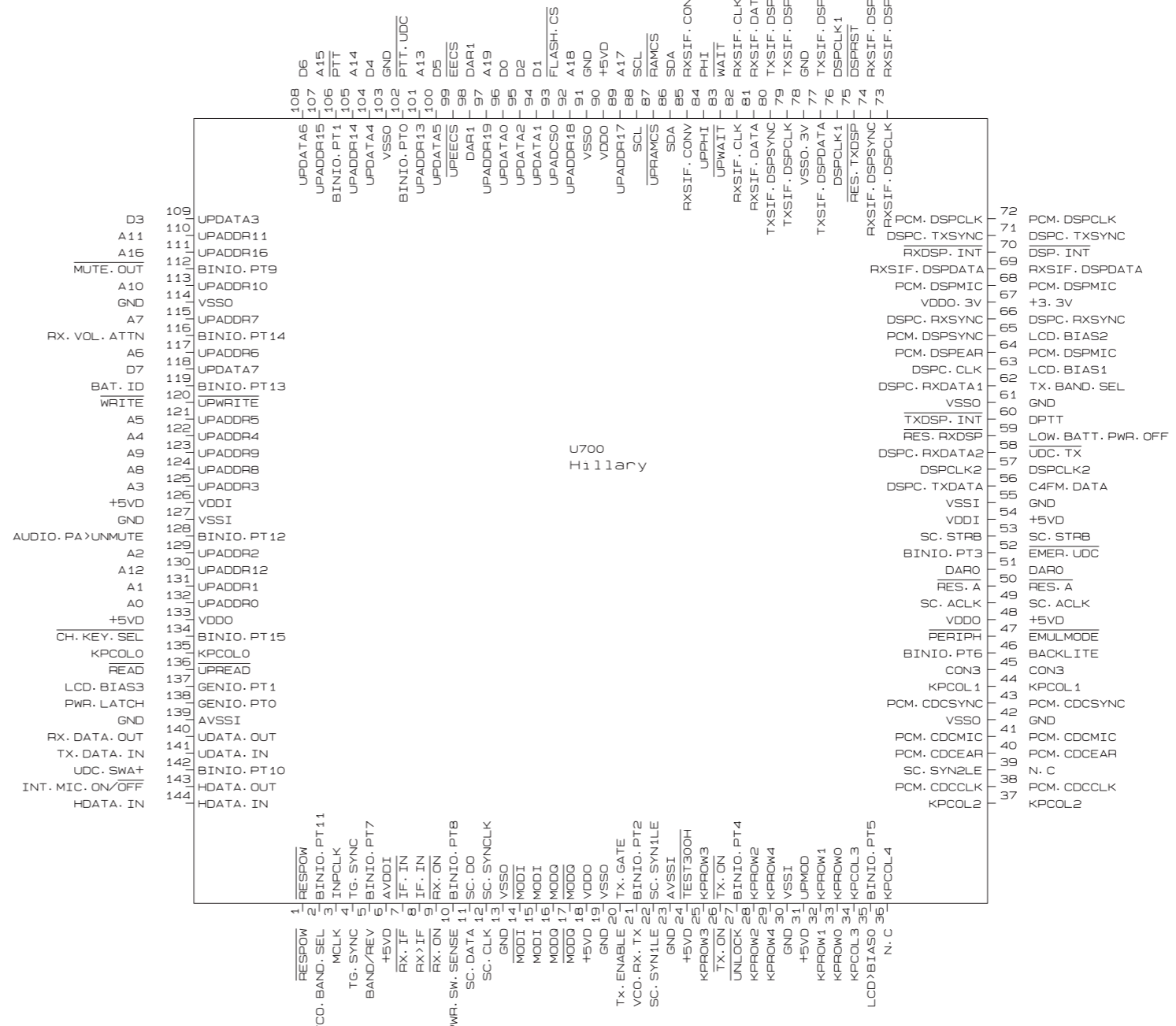
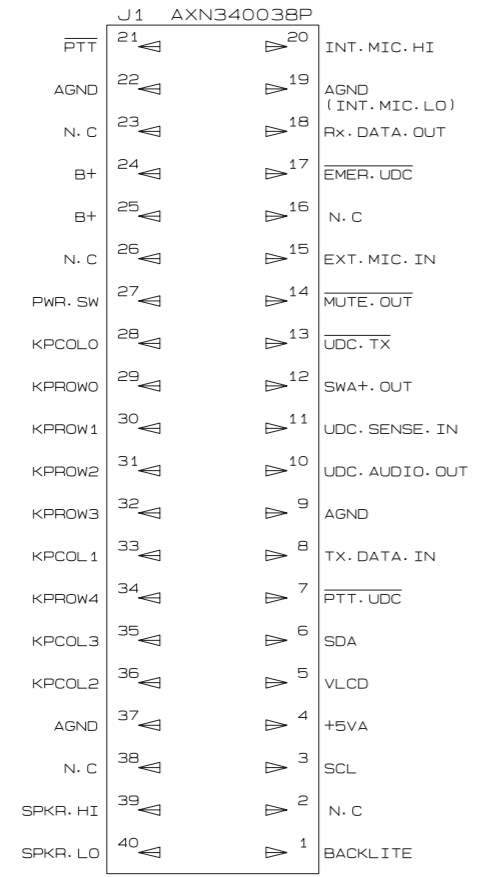
SYMBOL	DATE	POSITION	DESCRIPTION	REVISED	CHECKED	APPROVED
1	03.03.12		Rev up	S. Kumagai	K. Sugimoto	N. Kimura
2	03.03.28		Rev up	S. Kumagai	K. Sugimoto	N. Kimura
3						
4						
5						



DRAWN H. Suzuki	DATE '03.02.20	CHECKED K. Sugimoto	DATE 03.02.20	DATE '03.02.20	UNIT mm	MODEL Portable Radio	EQPT. NAME P7100 UHF-L (4W)
DSGN OR ENGR H. Suzuki	DATE '03.02.20	APPROVED N. Kimura	DATE 03.02.20	STORED	SCALE	TITLE MAIN LOGIC Schematic Diagram	5/6
KOKUSAIDENKI ENGINEERING CO., LTD					PARTS CODE	DWG. No. G3UD07606	Rev. 2

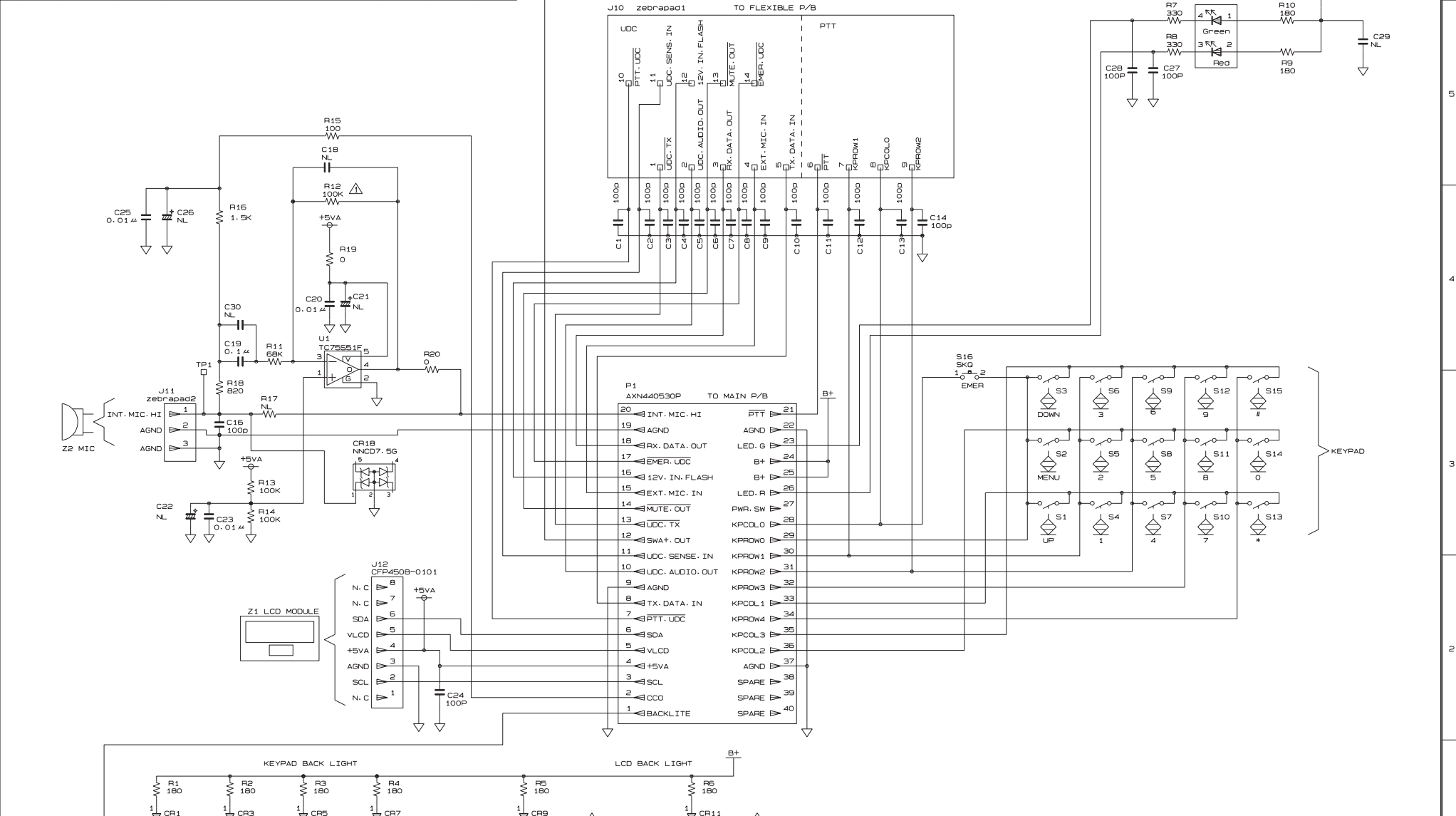


REVISTIONS	SYM	DATE	POSITION	DESCRIPTION	REVISED	CHECKED	APPROVED
1	X	03.03.12		Rev up	S.Kumagai	K.Sugimoto	N.Kimura
2	X	03.03.28		Rev up	S.Kumagai	K.Sugimoto	N.Kimura
3	X						
4	X						
5	X						

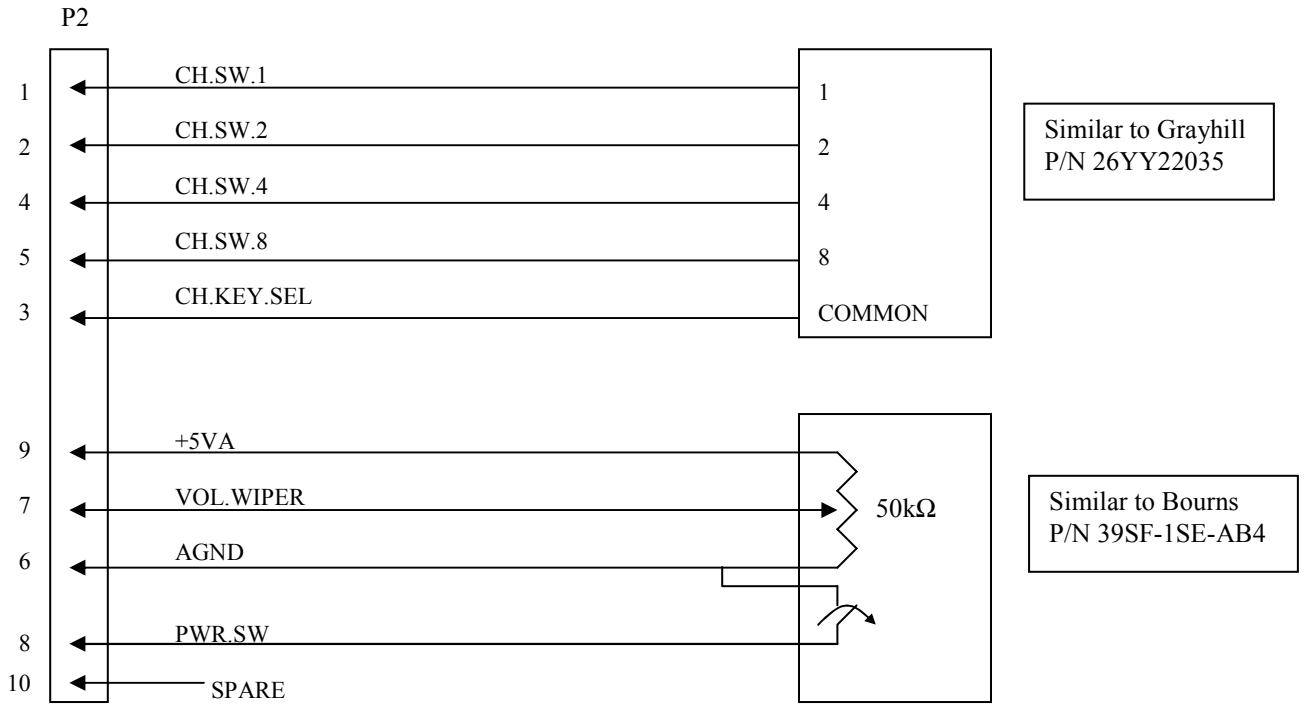


DRAWN H. Suzuki	DATE 03.02.20	CHECKED K. Sugimoto	DATE 03.02.20	DATE 03.02.20	UNIT mm	MODEL Portable Radio	EQPT. NAME P7100 UHF-L (4W)
DSGN OR ENGR H. Suzuki	DATE 03.02.20	APPROVED N. Kimura	DATE 03.02.20	STORED	SCALE	TITLE MAIN LOGIC Schematic Diagram 6/6	
KOKUSAIDENKI ENGINEERING CO., LTD				PARTS CODE	DWG. No. G3UD07606 Rev. 2		

SYMBOL	DATE	POSITION	DESCRIPTION	REVISED	CHECKED	APPROVED
△/X	02.11.11		Constant modification(R12,CR3,CR10,CR11,CR12)	H.Hikichi	K.Sugimoto	N.Kimura
△/X						
△/X						
△/X						
△/X						



DRAWN	DATE	CHECKED	DATE	DATE	UNIT	MODEL	EQPT. NAME
H. Hikichi	02.07.04	K. Sugimoto	02.07.04	02.07.04	mm	Portable Radio	P7100
DSGN DR ENGR	DATE	APPROVED	DATE	STORED	SCALE	TITLE	
H. Hikichi	02.07.04	N. Kimura	02.07.04			P7100 I/F P/B Schematic Diagram	1/1
KOKUSAI DENKI ENGINEERING CO., LTD					PARTS CODE	DWG. No.	Rev.
						G3UD07399	1

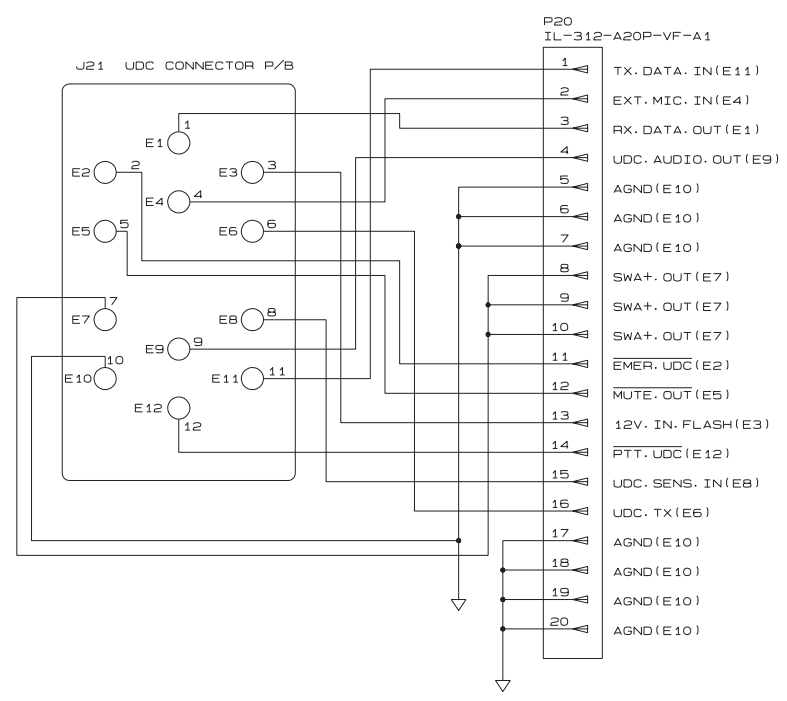


Channel Switch Switch Position	Truth Table Gray Output*			
	1	2	4	8
1				
2	•			
3	•	•		
4		•		
5		•	•	
6	•	•	•	
7	•		•	
8			•	
9			•	•
10	•		•	•
11	•	•	•	•
12		•	•	•
13		•		•
14	•	•		•
15	•			•
16				•

\* Dot indicates terminal is tied to common

Date: July/01/2002			Stored	Equipment Name: P7100		
Approved	Checked	Drawn		Title		
N.Kimura	K.Sugimoto	S.Kumagai		Switch Module Assembly Schematic Diagram		
<b>Kokusai Denki Engineering Co., LTD.</b>				DWG. No.	Page	Rev.
			<b>G4UD07379</b>	1/1	0	

REV. NO.	SYM	DATE	POSITION	DESCRIPTION	REVISED	CHECKED	APPROVED
1	△X						
2	△X						
3	△X						
4	△X						
5	△X						



DRAWN H. Hikichi 02.07.22	DATE 02.07.22	CHECKED K. Sugimoto 02.07.22	DATE 02.07.22	DATE 02.07.22	UNIT mm	MODEL Portable Radio	EQPT. NAME P7100
DSGN OR ENGR H. Hikichi 02.07.22	DATE 02.07.22	APPROVED N. Kimura 02.07.22	DATE 02.07.22	STORED	SCALE	TITLE UDC CONNECTOR P/B Schematic Diagram	1/1
KOKUSAIDENKI ENGINEERING CO., LTD				PARTS CODE	DWG. No.	G3UD07400	Rev. 0