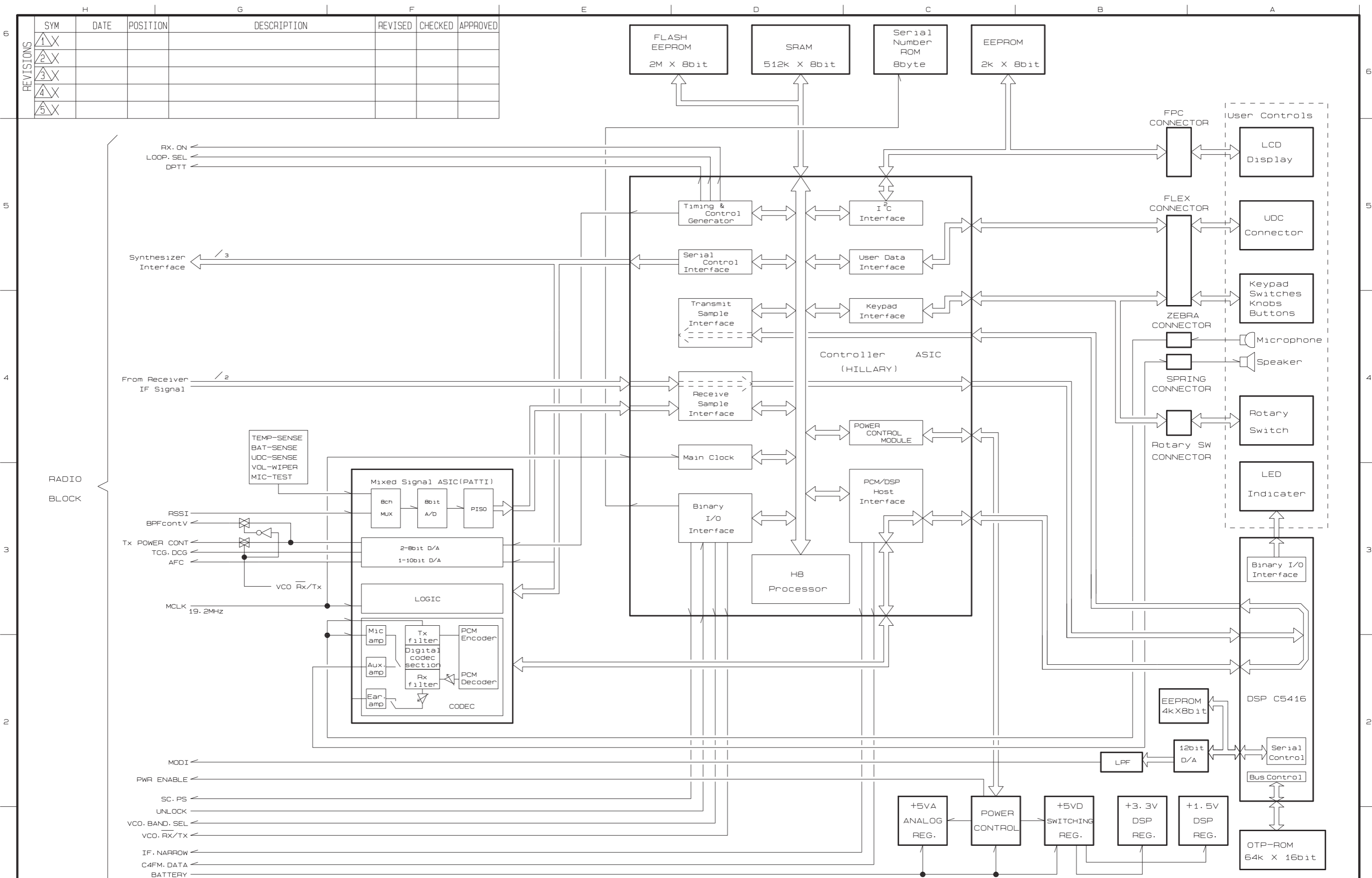


APPENDIX F: BLOCK DIAGRAM

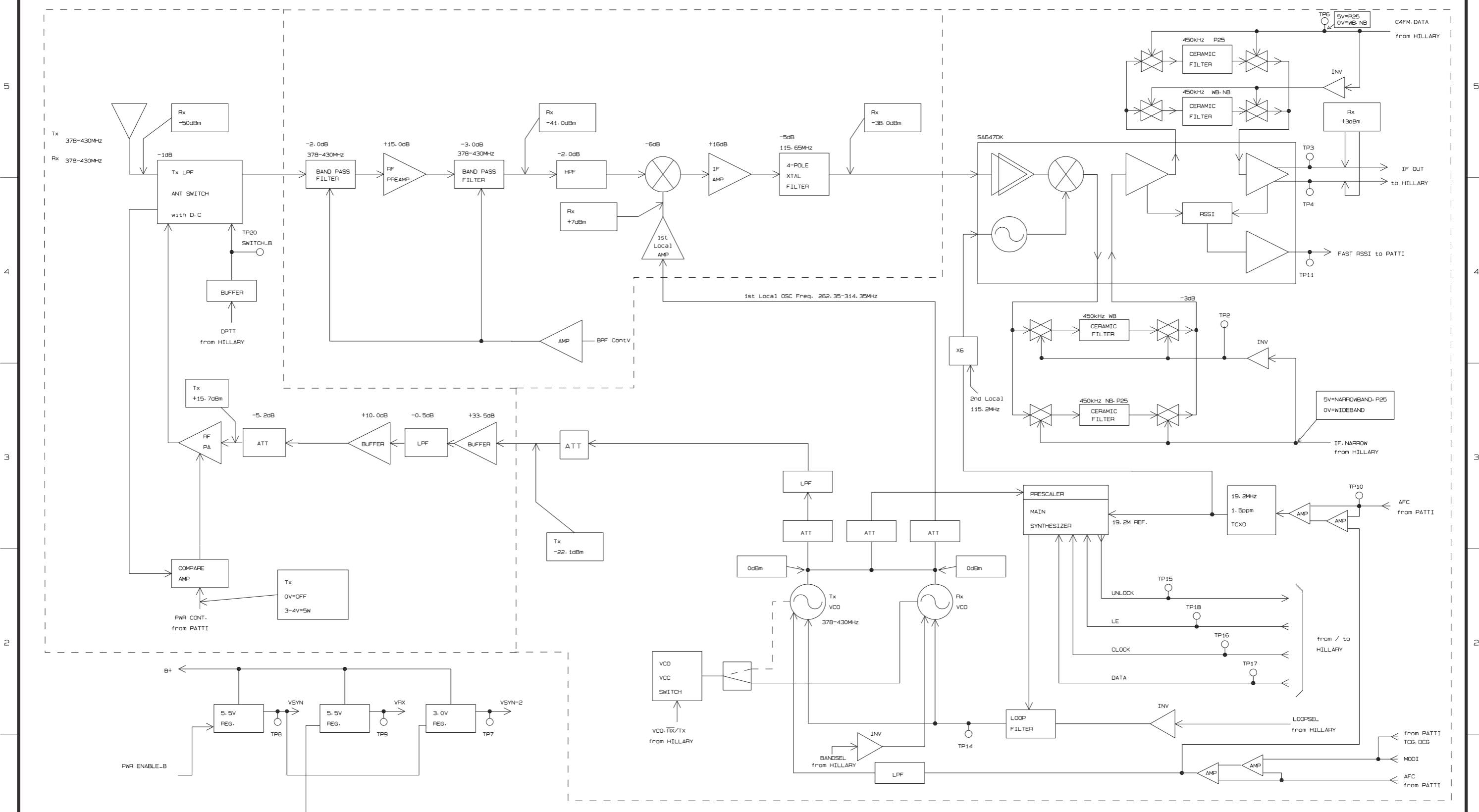
Please refer to the following pages.



REVISIONS	SYM	DATE	POSITION	DESCRIPTION	REVISED	CHECKED	APPROVED
1	X						
2	X						
3	X						
4	X						
5	X						

DRAWN H. Suzuki DSGN OR ENGR H. Hikichi	DATE '03.03.12 DATE '03.03.12	CHECKED K. Sugimoto APPROVED N. Kimura	DATE '03.03.12 DATE '03.03.12	DATE '03.03.12 STORED	UNIT mm	MODEL Portable Radio	EQPT. NAME P7100 UHF-L
KOKUSAIDENKI ENGINEERING CO., LTD				SCALE		TITLE MAIN LOGIC BLOCK DIAGRAM	1/1
PARTS CODE						DWG. No. G3UD07630	Rev. 0

REVISIONS	SYM	DATE	POSITION	DESCRIPTION	REVISED	CHECKED	APPROVED
1	X						
2	X						
3	X						
4	X						
5	X						



DRAWN H. Suzuki	DATE 03.03.12	CHECKED K. Sugimoto	DATE 03.03.12	DATE '03.03.12	UNIT mm	MODEL Portable Radio	EQPT. NAME P7100 UHF-L(4W)
DSGN OR ENGR S. Kumagai	DATE 03.03.12	APPROVED N. Kimura	DATE 03.03.12	STORED	SCALE	TITLE MAIN RADIO BLOCK DIAGRAM 1/1	
KOKUSAIDENKI ENGINEERING CO., LTD					PARTS CODE	DWG. No. G3UD07629	Rev. 0