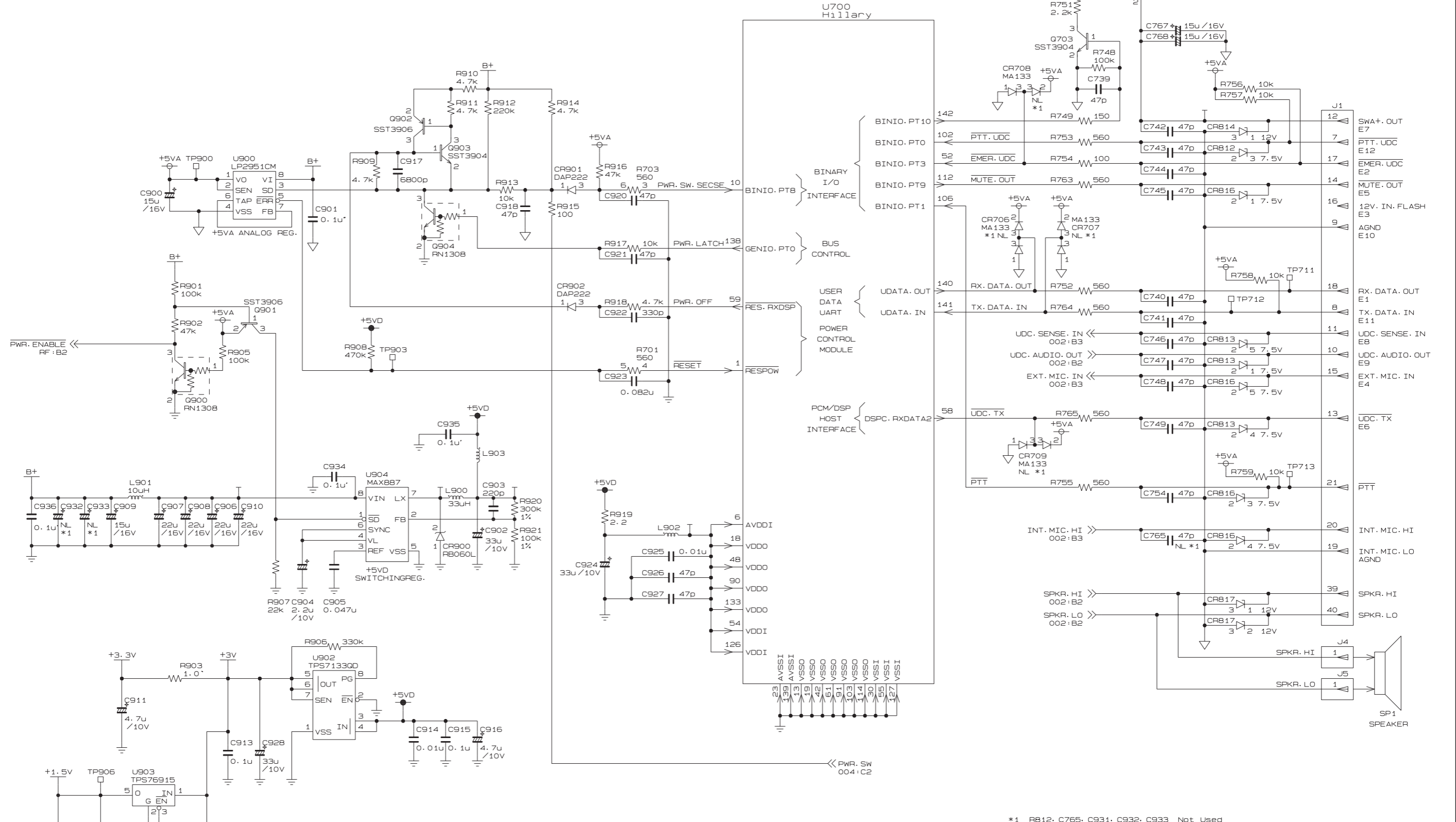


REV	SYM	DATE	POSITION	DESCRIPTION	REVISED	CHECKED	APPROVED
1	X 1B	01.07.09		Rev. Up	H. Wakaizumi	Y. Ikeda	H. Kawaguchi
2	X 4	01.10.01		+3.3V-RAM Power deletion	M. Sato	K. Sugimoto	N. Kimura
3	X 0	01.10.15		Rev. up	M. Sato	K. Sugimoto	N. Kimura
4	X 0	01.12.22		Rev. up	M. Sato	K. Sugimoto	N. Kimura
5	X						



*1 R812, C765, C931, C932, C933 Not Used

DRAWN H. Wakaizumi	DATE 01.05.30	CHECKED O. Baba	DATE 01.05.30	DATE 01.05.30	UNIT mm	MODEL H/H	EQPT. NAME J700P(C5416) 800MHZ
DSGN OR ENGR Y. Ikeda	DATE 01.05.30	APPROVED H. Kawaguchi	DATE 01.05.30	STORED	SCALE	TITLE MAIN LOGIC SCHEMATIC	5/6
KOKUSAI DENKI ENGINEERING CO., LTD					PARTS CODE	DWG. No. G3UD06903	Rev. 4