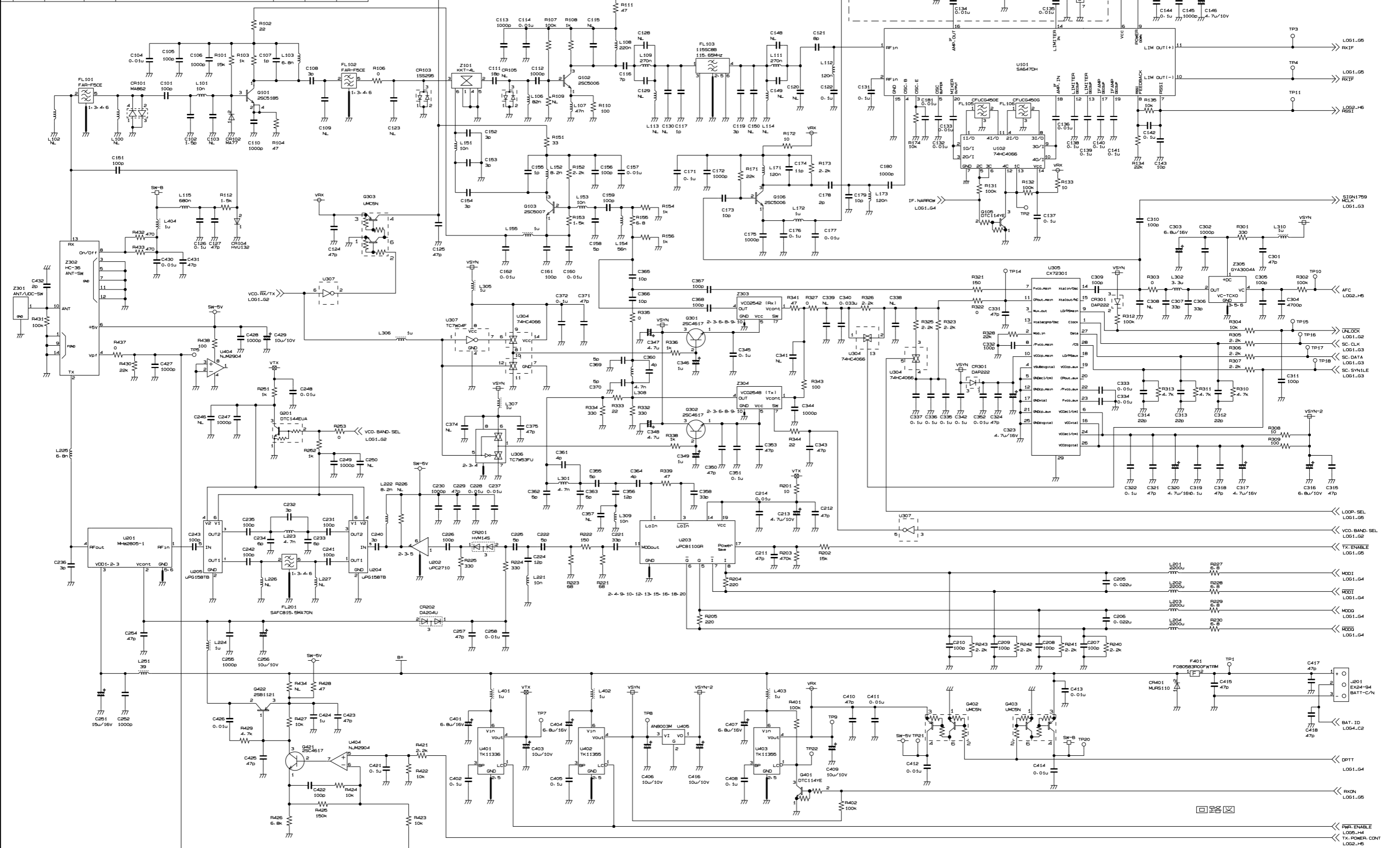


REV. NO.	DATE	POSITION	DESCRIPTION	REVISED	CHECKED	APPROVED
62	01.07.13		Rev. Up	H. Wakaizum	Y. Ikeda	H. Kawaguchi
16	01.09.04		Rev. Up	H. Wakaizum	Y. Ikeda	H. Kawaguchi



DRAWN H. Wakaizum DSGN OR ENGR Y. Ikeda	DATE 01.07.06 DATE 01.07.06	CHECKED O. Baba APPROVED H. Kawaguchi	DATE 01.07.06 DATE 01.07.06	DATE 01.07.06 STORED	UNIT mm 	MODEL H/H TITLE MAIN RADIO SCHEMATIC	EQPT. NAME J700P 800M Enhance 1/1
KOKUSAI DENKI ENGINEERING CO., LTD					SCALE	PARTS CODE	DNG. No. G2UD06901 Rev. 2