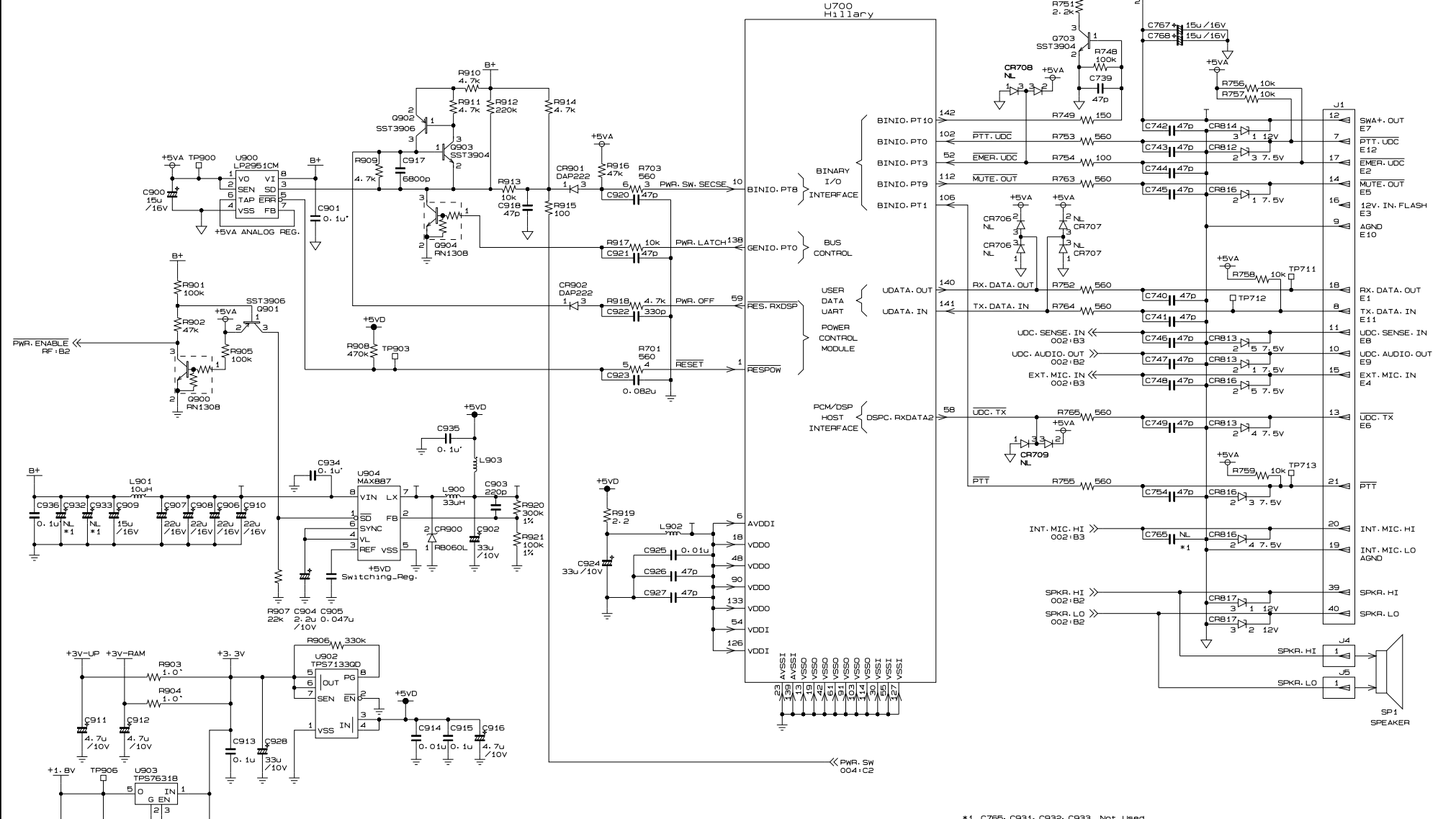


REV. NO.	SYM	DATE	POSITION	DESCRIPTION	REVISED	CHECKED	APPROVED
1	X	01.07.09		Rev. Up	H.Wakaizumi	Y. Ikeda	H.Kawaguchi
2	X						
3	X						
4	X						
5	X						



*1 C765, C931, C932, C933 Not Used

DRAWN	DATE	CHECKED	DATE	DATE	UNIT	MODEL	EQPT. NAME
H. Wakaizumi	01.05.30	O. Baba	01.05.30	01.05.30	mm	H/H	J700P 800M Enhance
DSGN OR ENGR	DATE	APPROVED	DATE	STORED	SCALE	TITLE	
Y. Ikeda	01.05.30	H. Kawaguchi	01.05.30			MAIN LOGIC SCHEMATIC	5/6
KOKUSAI DENKI ENGINEERING CO., LTD						DWG. No.	G3UD06903
						Rev.	1