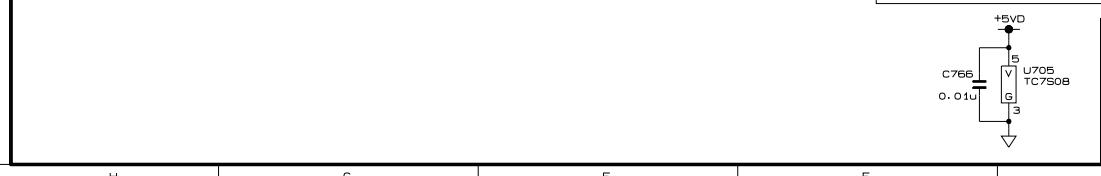
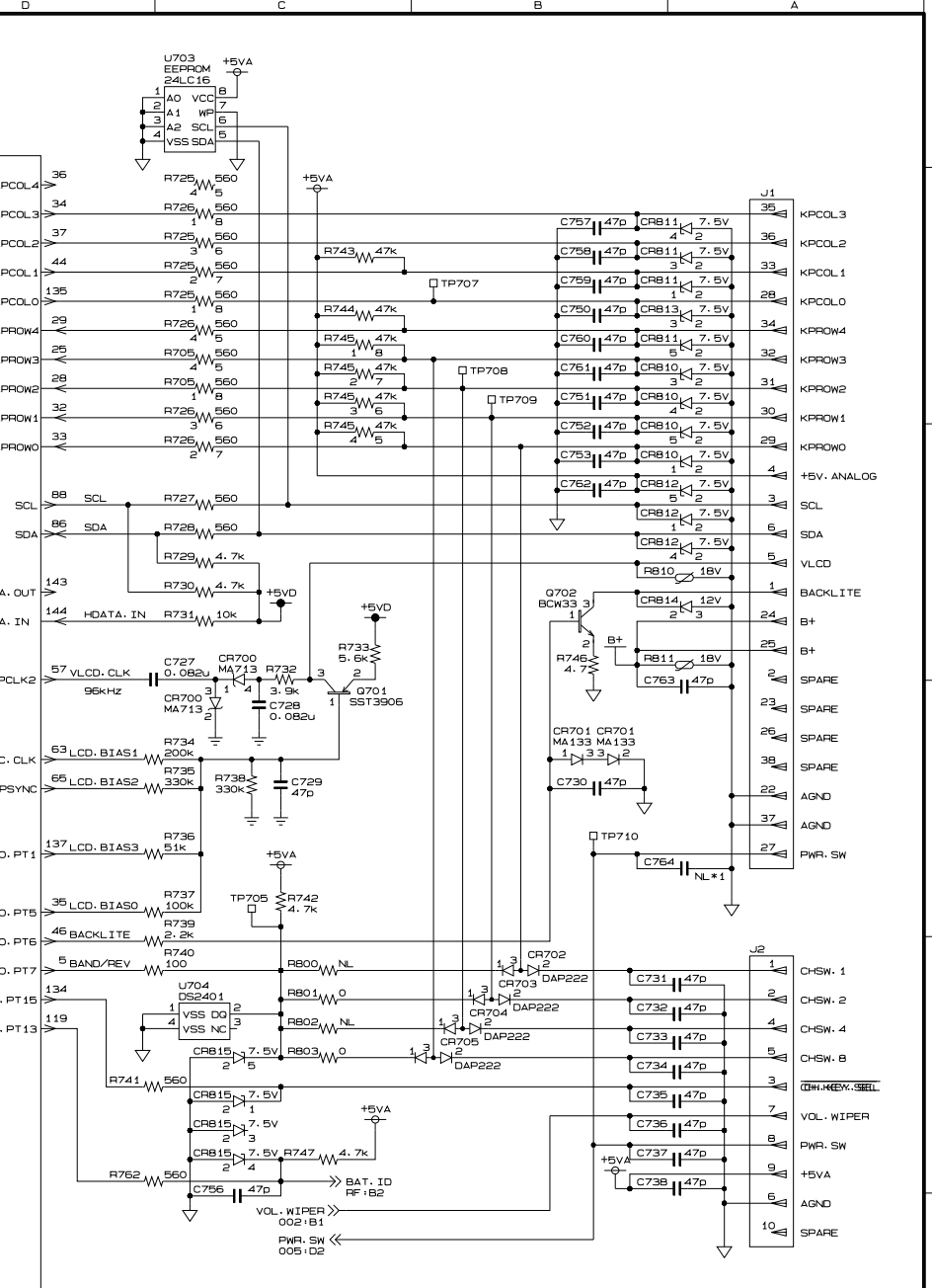
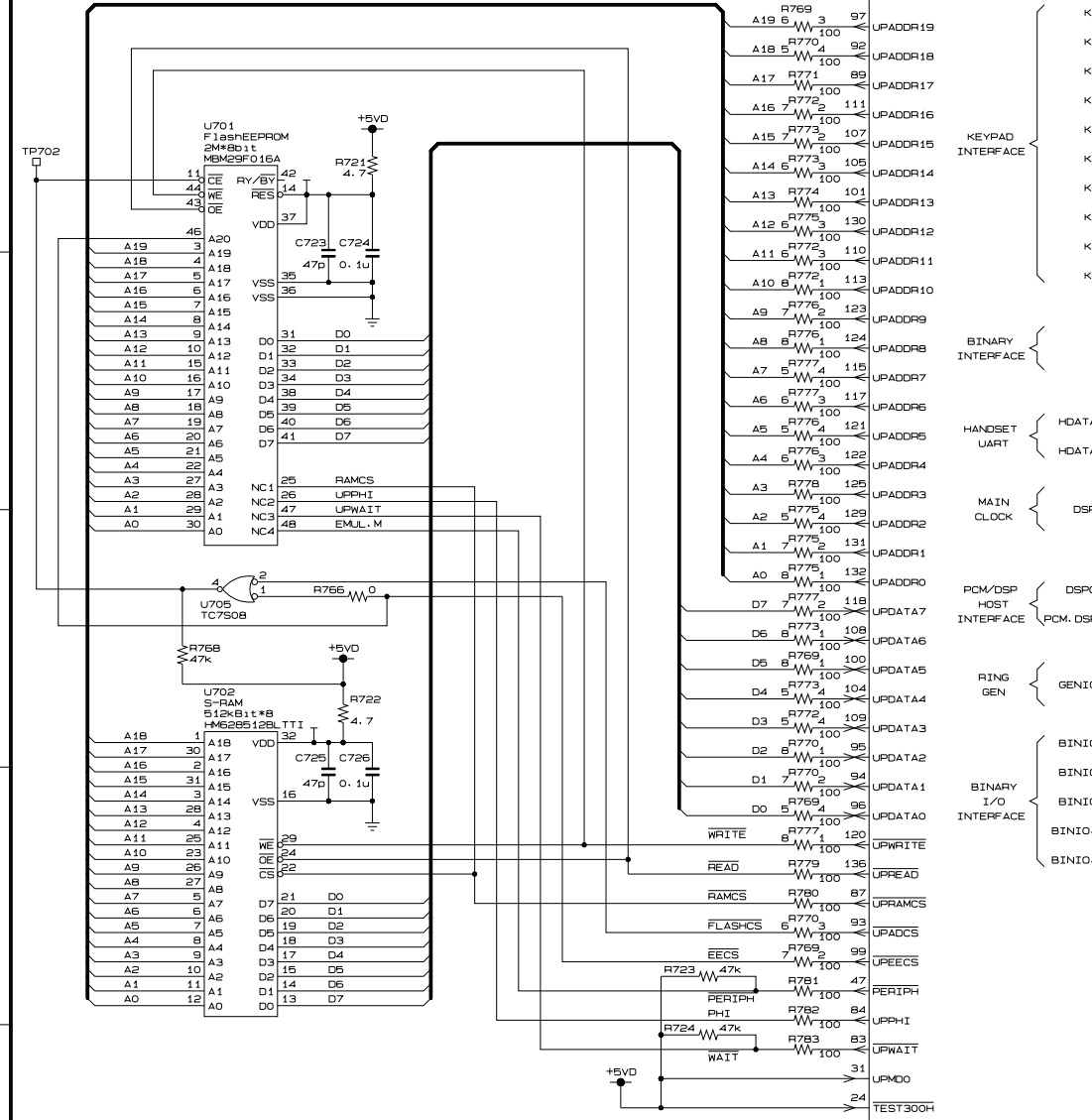


| SYMBOL | DATE     | POSITION | DESCRIPTION | REVISED      | CHECKED  | APPROVED     |
|--------|----------|----------|-------------|--------------|----------|--------------|
| △      | 01.07.09 |          | Rev. Up     | H. WakaiZumi | Y. Ikeda | H. Kawaguchi |
| △      |          |          |             |              |          |              |
| △      |          |          |             |              |          |              |
| △      |          |          |             |              |          |              |



|                                    |  |                  |                          |                       |                  |            |                               |                                  |
|------------------------------------|--|------------------|--------------------------|-----------------------|------------------|------------|-------------------------------|----------------------------------|
| DRAWN<br>H. WakaiZumi              |  | DATE<br>01.05.30 | CHECKED<br>O. Baba       | DATE<br>01.05.30      | DATE<br>01.05.30 | UNIT<br>mm | MODEL<br>H/H                  | EQPT. NAME<br>J700P 800M Enhance |
| DSGN OR ENGR<br>Y. Ikeda           |  | DATE<br>01.05.30 | APPROVED<br>H. Kawaguchi | DATE<br>01.05.30      | STORED           | SCALE      | TITLE<br>MAIN LOGIC SCHEMATIC | 4/6                              |
| KOKUSAI DENKI ENGINEERING CO., LTD |  | PARTS CODE       |                          | DWG. No.<br>G3UD06903 |                  | Rev.<br>1  |                               |                                  |

\*1 C764, R801 Not Used