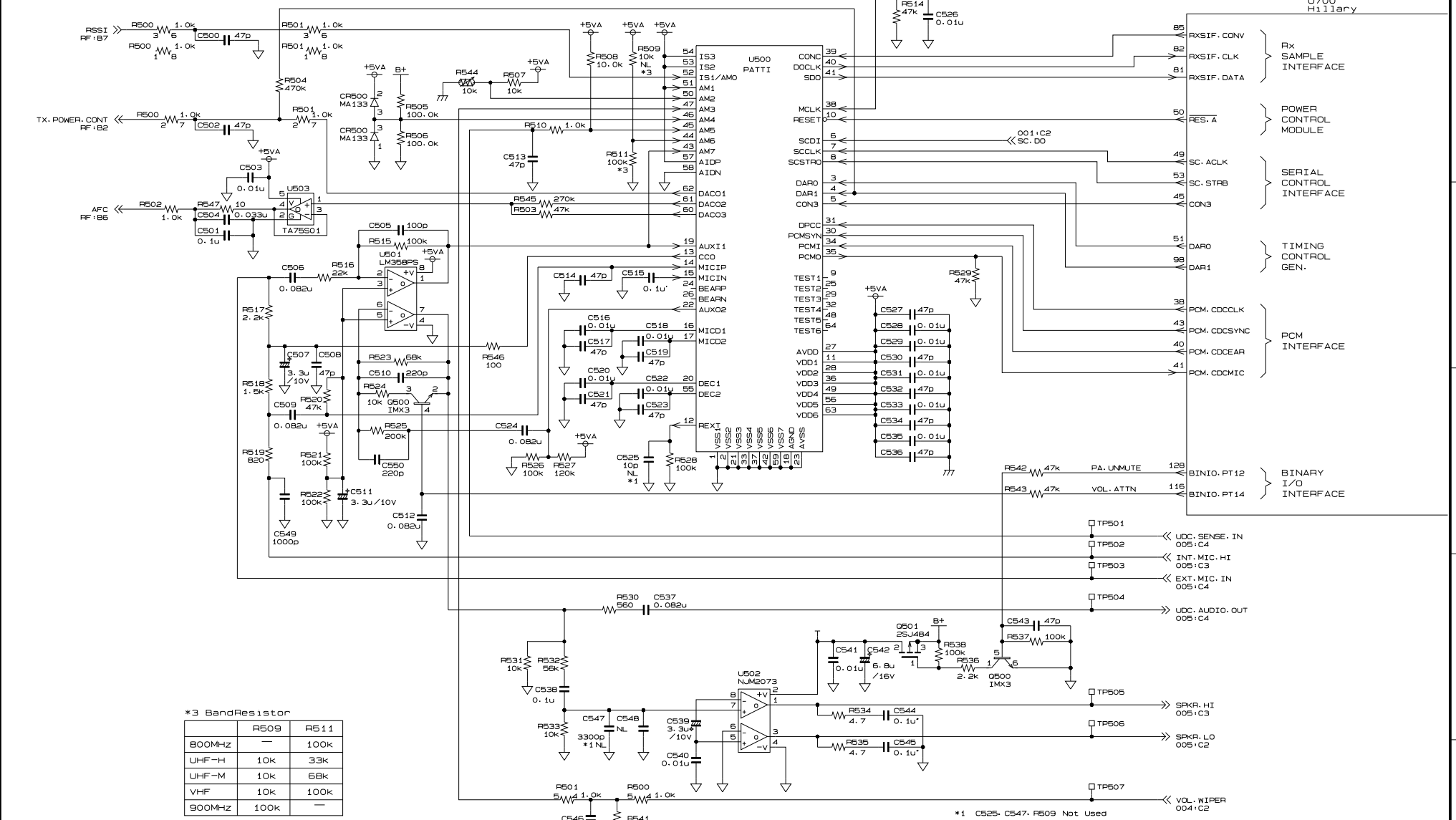


SYMBOL	DATE	POSITION	DESCRIPTION	REVISED	CHECKED	APPROVED
△	01.07.09		Rev. Up	H. Wakaizumi	Y. Ikeda	H. Kawaguchi
△						
△						
△						
△						



*3 BandResistor

	R509	R511
BOOMHZ	—	100k
UHF-H	10k	33k
UHF-M	10k	68k
VHF	10k	100k
900MHZ	100k	—

DRAWN H. Wakaizumi	DATE 01.05.30	CHECKED O. Baba	DATE 01.05.30	DATE 01.05.30	UNIT mm	MODEL H/H	EQPT. NAME J700P 800M Enhance
DSGN OR ENGR Y. Ikeda	DATE 01.05.30	APPROVED H. Kawaguchi	DATE 01.05.30	STORED	SCALE	TITLE MAIN LOGIC SCHEMATIC	2/6
KOKUSAI DENKI ENGINEERING CO., LTD						PARTS CODE	DWG. No. G3UD06903
							Rev. 1

*1 C525-C547, R509 Not Used