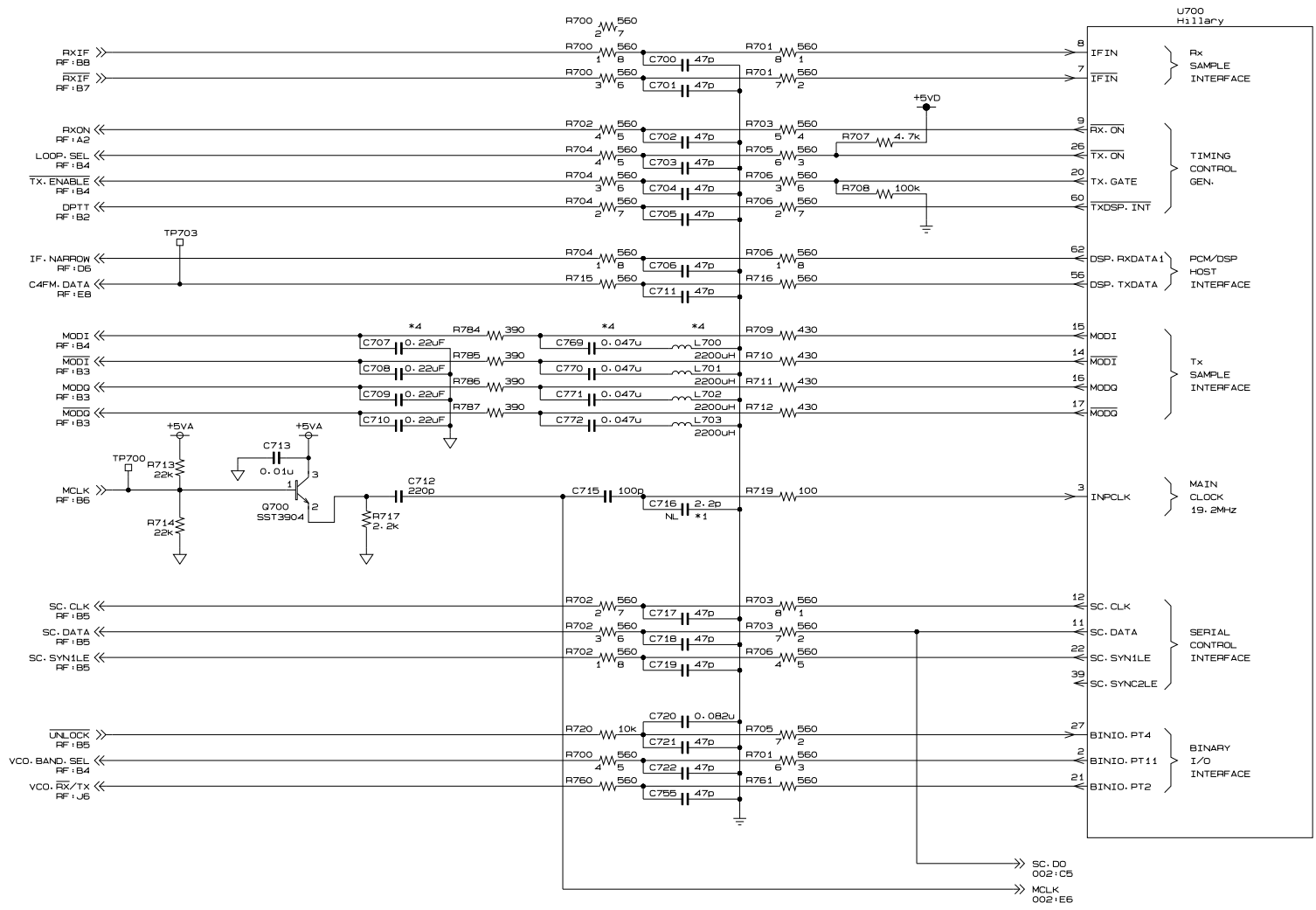


REV. NO.	SYM	DATE	POSITION	DESCRIPTION	REVISED	CHECKED	APPROVED
1	△X	01.07.09		Rev. Up	H. Wakaizumi	Y. Ikeda	H. Kawaguchi
2	△X						
3	△X						
4	△X						
5	△X						



DRAWN H. Wakaizumi		DATE 01.05.30	CHECKED O. Baba	DATE 01.05.30	DATE 01.05.30	UNIT mm	MODEL H/H	EQPT. NAME J700P 800M Enhance
DSGN OR ENGR Y. Ikeda		DATE 01.05.30	APPROVED H. Kawaguchi	DATE 01.05.30	STORED	SCALE	TITLE MAIN LOGIC SCHEMATIC	1/6
KOKUSAI DENKI ENGINEERING CO., LTD						PARTS CODE	DWG. No. G3UD06903	Rev. 1