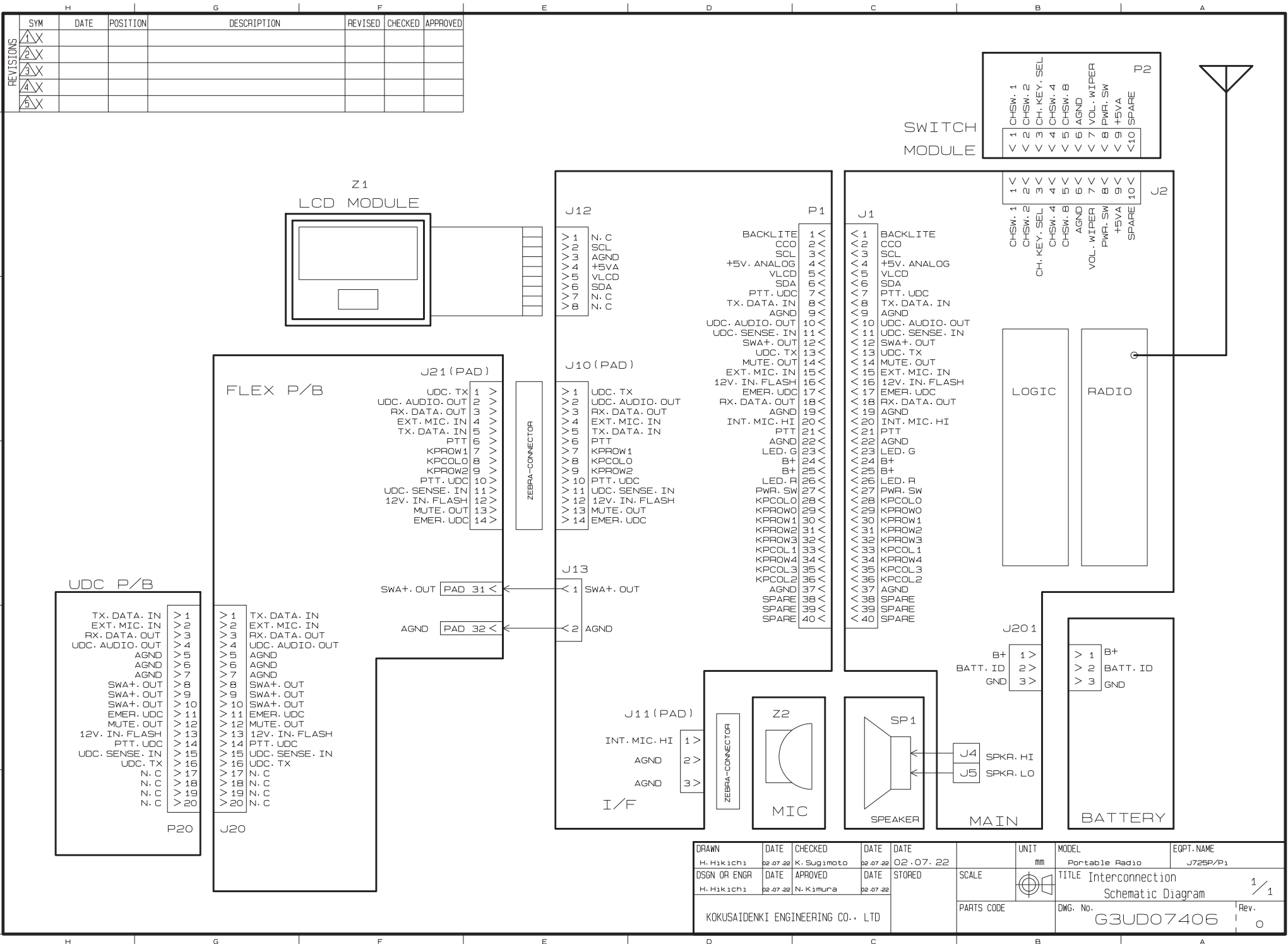


Rhein Tech Laboratories
360 Herndon Parkway
Suite 1400
Herndon, VA 20170
<http://www.rheintech.com>

M/A Com Private Radio Systems, Inc.
Model: P7100(IP) VHF Radio
FCC ID: OWDTR-0013-E
FCC & IC: Part 90 and RSS-119
RTL WO: 2002158

APPENDIX F: BLOCK DIAGRAM

Please refer to the following pages.



DRAWN	H. Hikichi	DATE	02.07.22	CHECKED	K. Sugimoto	DATE	02.07.22	DATE	02.07.22	UNIT	mm	MODEL	Portable Radio	EQPT. NAME	J725P/P1
DSGN OR ENGR	H. Hikichi	DATE	02.07.22	APPROVED	N. Kimura	DATE	02.07.22	STORED		SCALE		TITLE	Interconnection Schematic Diagram	Rev.	1/1
KOKUSAIDENKI ENGINEERING CO., LTD											PARTS CODE	DWG. No.	G3UD07406	Rev.	0

REVISIONS	SYM	DATE	POSITION	DESCRIPTION	REVISED	CHECKED	APPROVED
1	X						
2	X						
3	X						
4	X						
5	X						



RX ON
LOOP SEL
DPTT

Synthesizer Interface

From Receiver IF Signal

TEMP-SENSE
BAT-SENSE
UDC-SENSE
VOL-WIPER
MIC-TEST

RSSI

Tx POWER CONT
TCG, DCG
AFC

MCLK 19.2MHz

MOD1

PWR ENABLE

SC, PS

UNLOCK

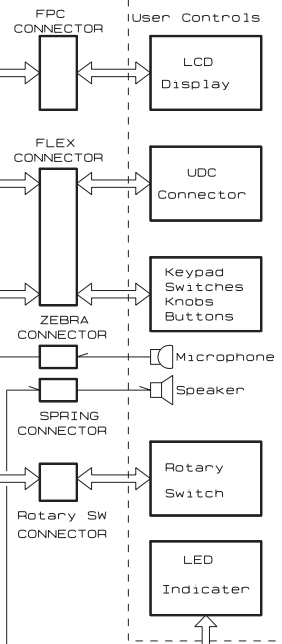
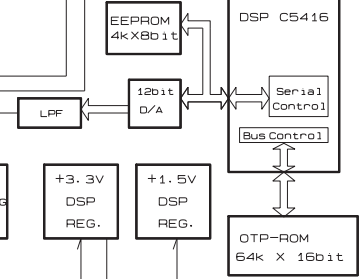
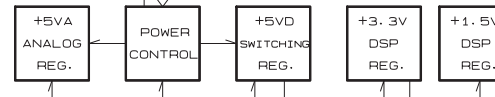
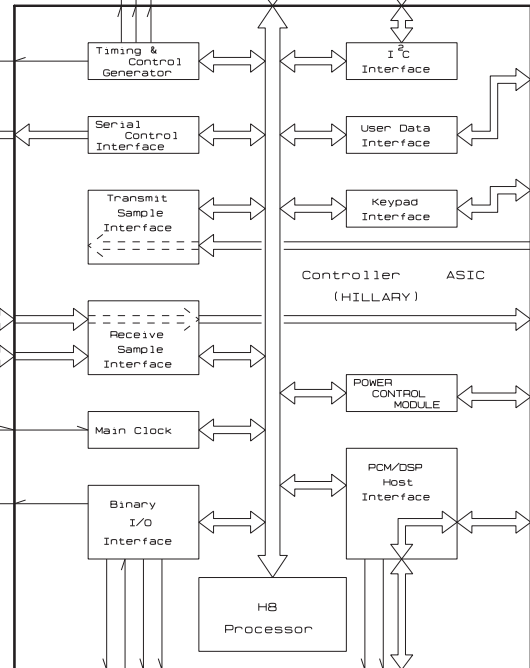
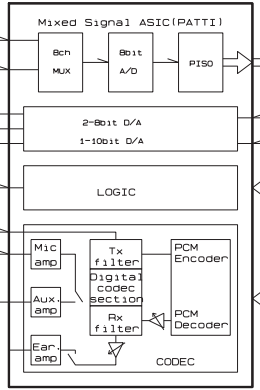
VCO BAND SEL

VCO, RX/TX

IF, NARROW

C4FM, DATA

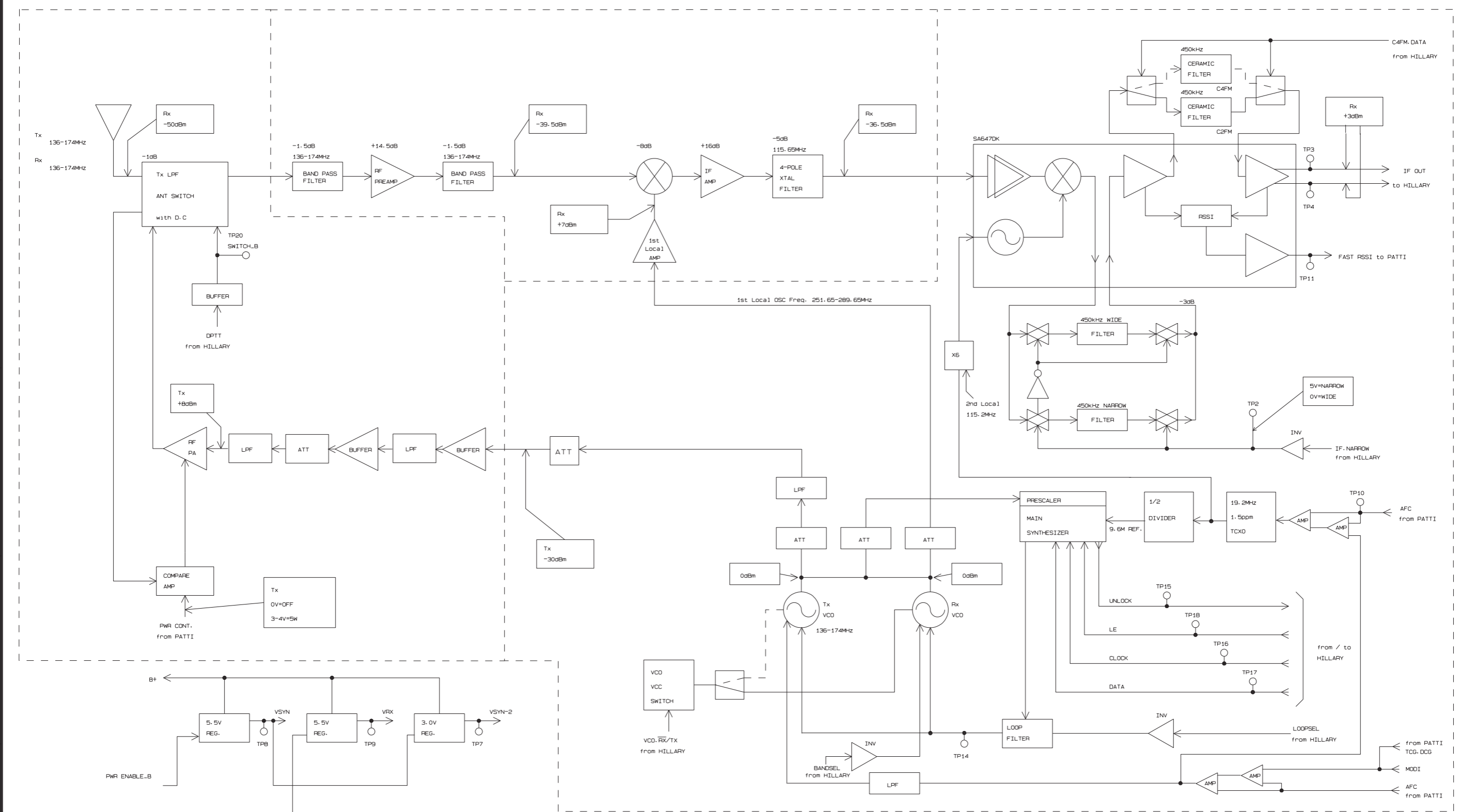
BATTERY



RADIO BLOCK

DRAWN H. Hkichi	DATE 02.07.22	CHECKED K. Sugimoto	DATE 02.07.22	DATE 02.07.22	DATE 02.07.22	UNIT mm	MODEL Portable Radio	EQPT. NAME J725P/Pi
DSGN OR ENGR H. Hkichi	DATE 02.07.22	APPROVED N. Kimura	DATE 02.07.22	DATE 02.07.22	DATE 02.07.22	SCALE 	TITLE MAIN LOGIC BLOCK DIAGRAM	1/1
KOKUSAIDENKI ENGINEERING CO., LTD						PARTS CODE	DWG. No. G3UD07405	Rev. 0

REV	SYM	DATE	POSITION	DESCRIPTION	REVISED	CHECKED	APPROVED
1	X						
2	X						
3	X						
4	X						
5	X						



DRAWN H. Suzuki	DATE 02-07-22	CHECKED K. Sugimoto	DATE 02-07-22	DATE 02-07-22	UNIT mm	MODEL Portable Radio	EQPT. NAME J725P/Pi
DSGN OR ENGR F. Saitho	DATE 02-07-22	APPROVED N. Kimura	DATE 02-07-22	STORED	SCALE	TITLE MAIN RADIO BLOCK DIAGRAM 1/1	
KOKUSAIDENKI ENGINEERING CO., LTD					PARTS CODE	DWG. No. G3UD07404	Rev. 0