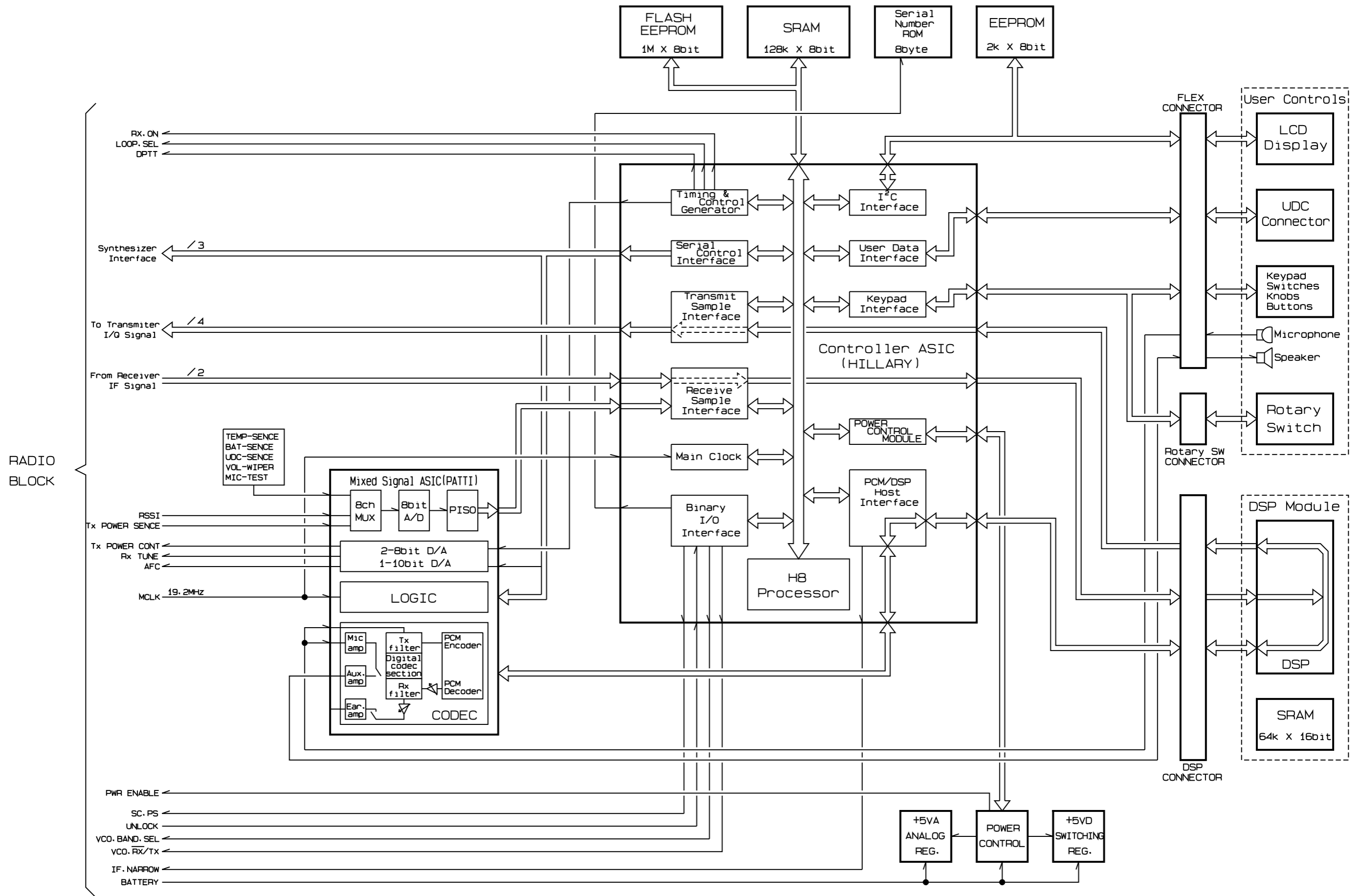
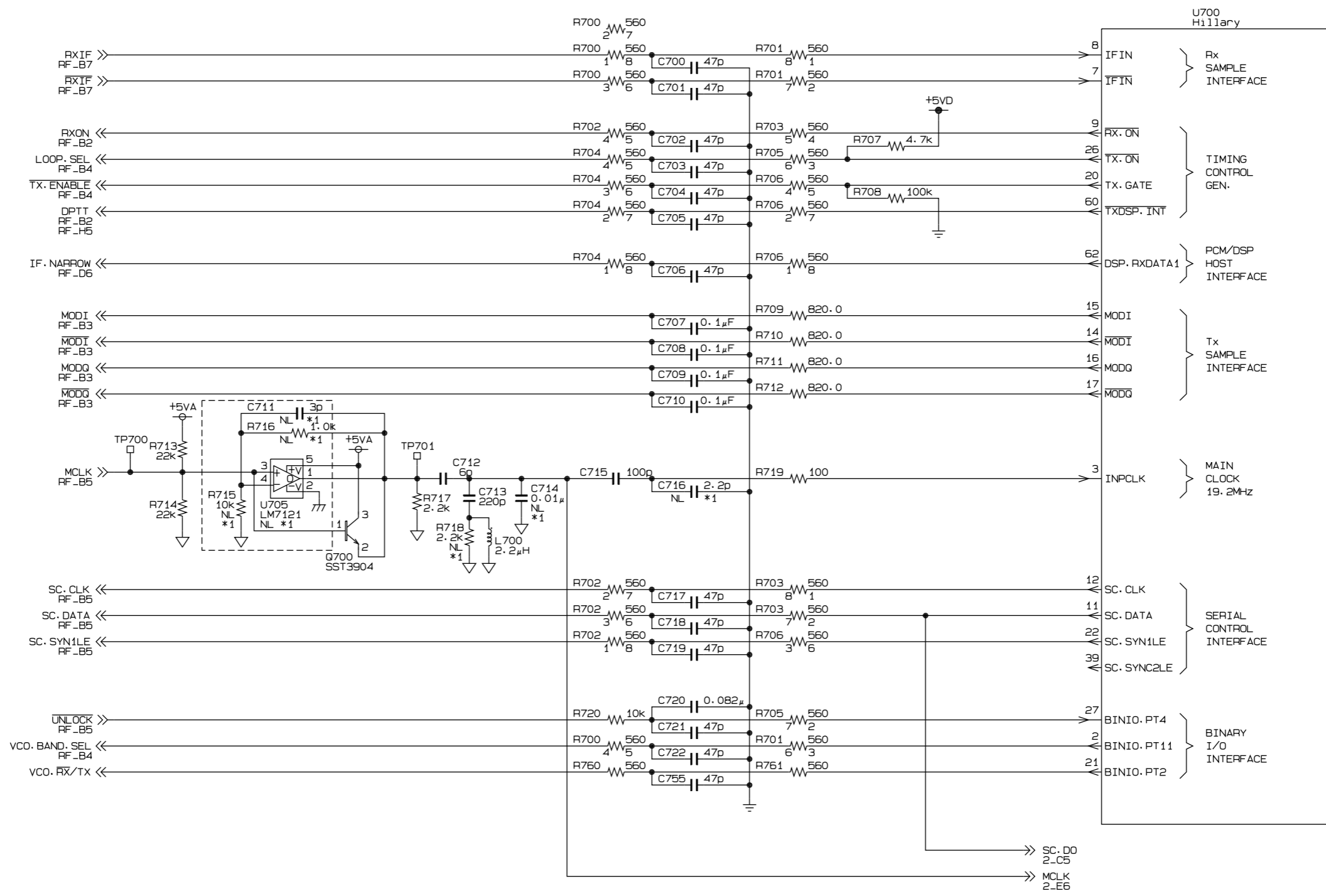


Jaguar 700P 800M Transceiver Block Diagram

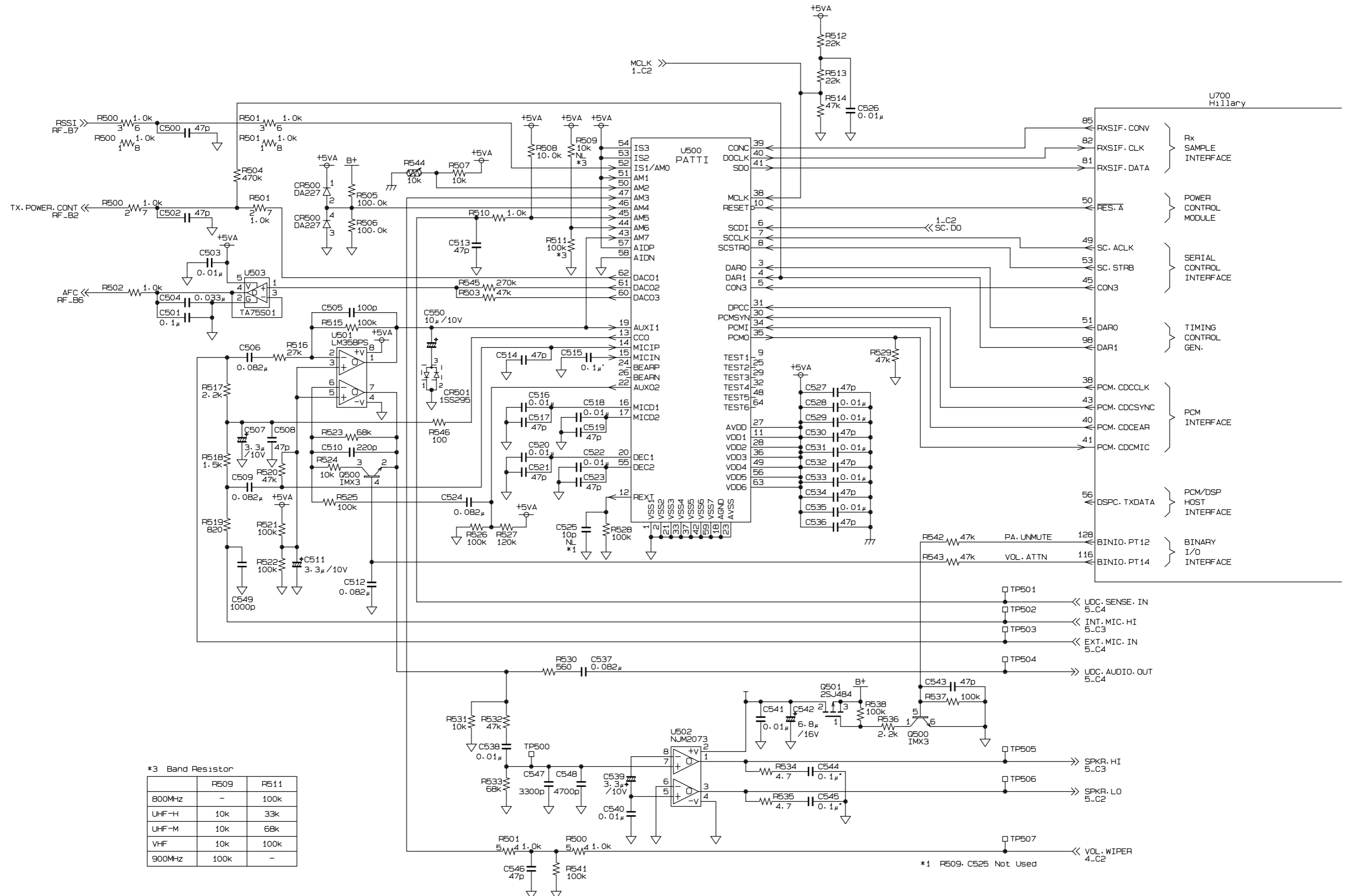


Jaguar 700P Logic Block Diagram



*1 U705, R715, R716, R718, C711, C714, C716 Not Used

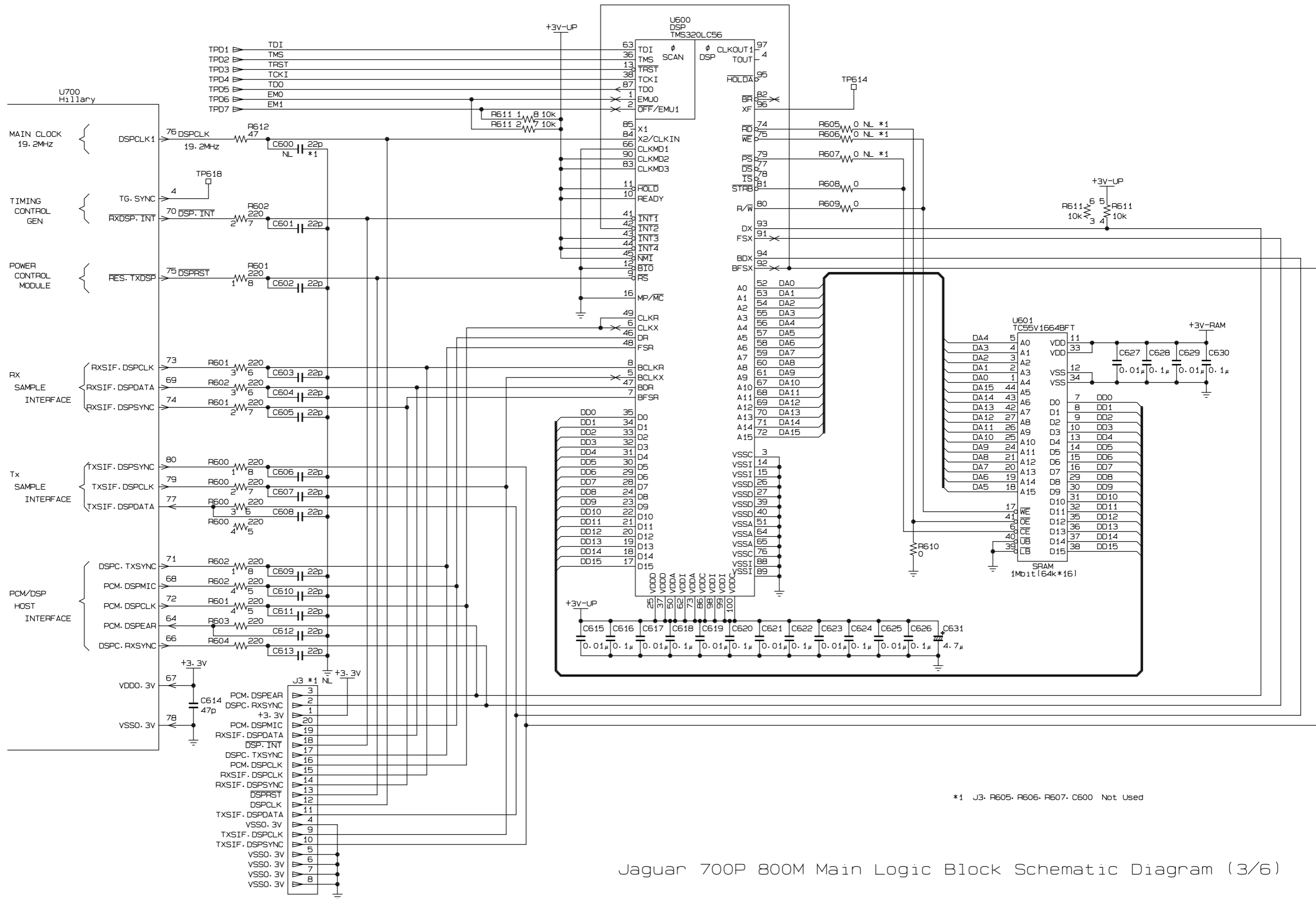
Jaguar 700P 800M Main Logic Block Schematic Diagram (1/6)



*3 Band Resistor

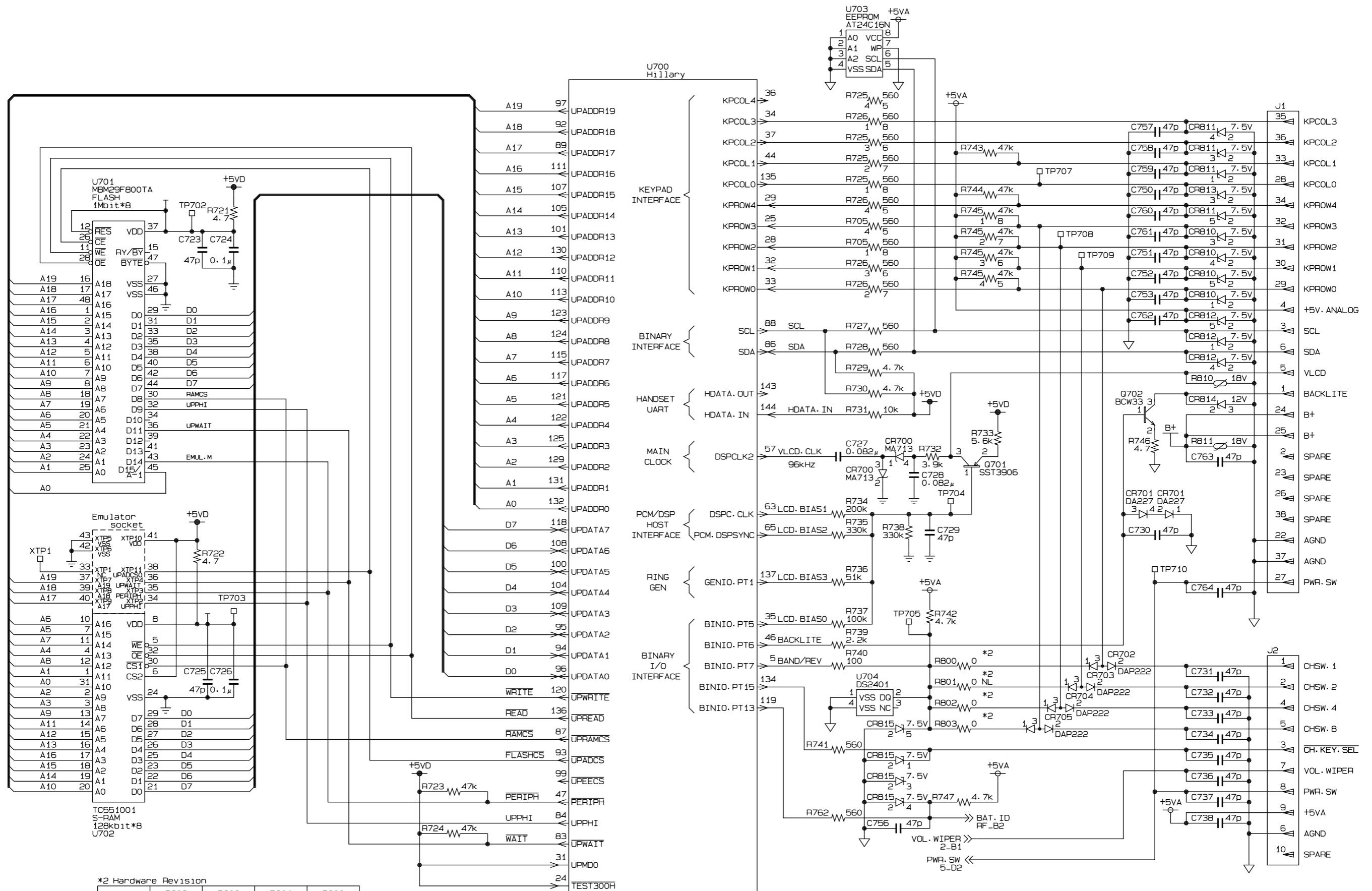
	R509	R511
800MHz	-	100k
UHF-H	10k	33k
UHF-M	10k	68k
VHF	10k	100k
900MHz	100k	-

Jaguar 700P 800M Main Logic Block Schematic Diagram (2/6)



*1 J3, R605, R606, R607, C600 Not Used

Jaguar 700P 800M Main Logic Block Schematic Diagram (3/6)

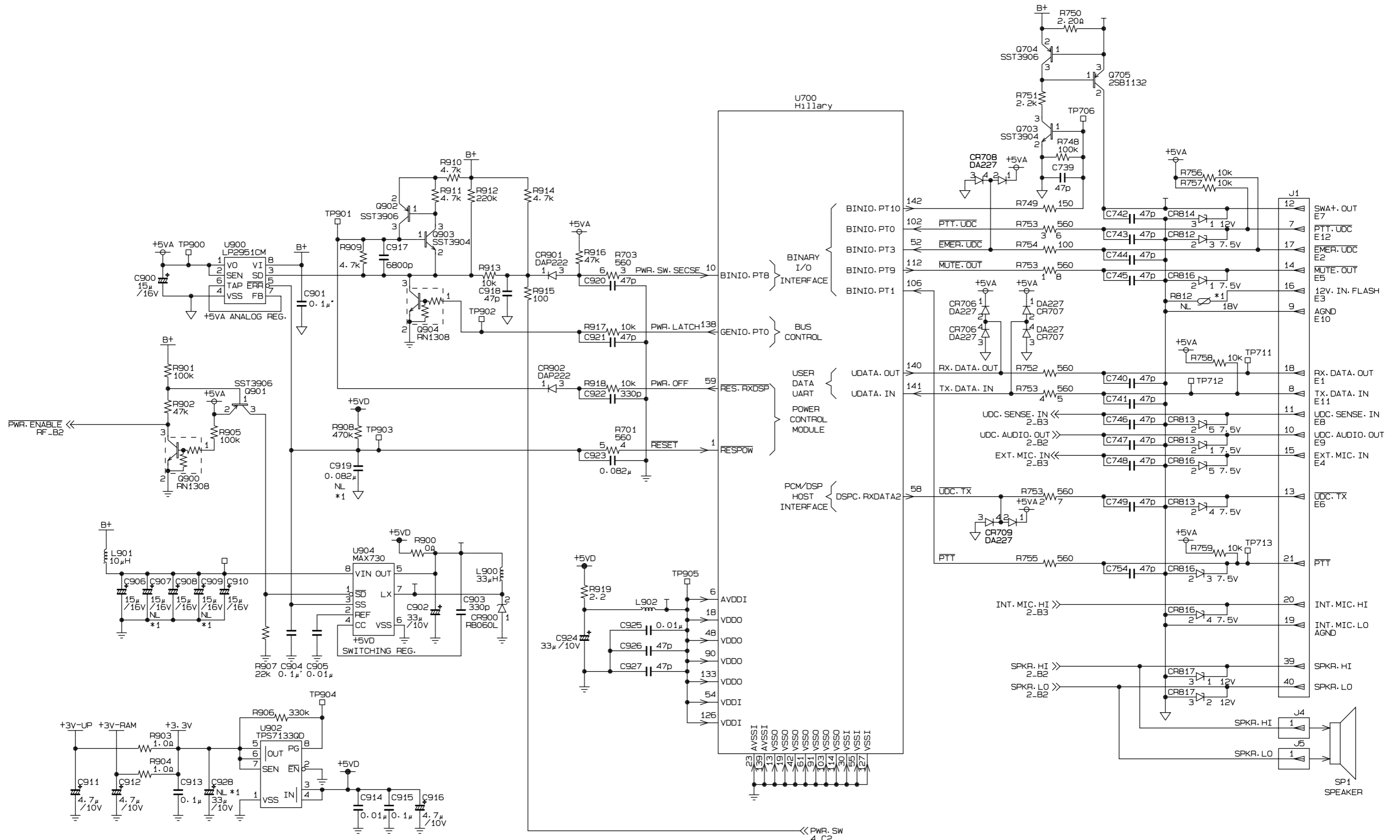


*2 Hardware Revision

	R803	R802	R801	R800
RA0	-	-	Omit	-
RA1	-	Omit	Omit	-
RA2	Omit	-	Omit	-
RA3	Omit	Omit	Omit	-

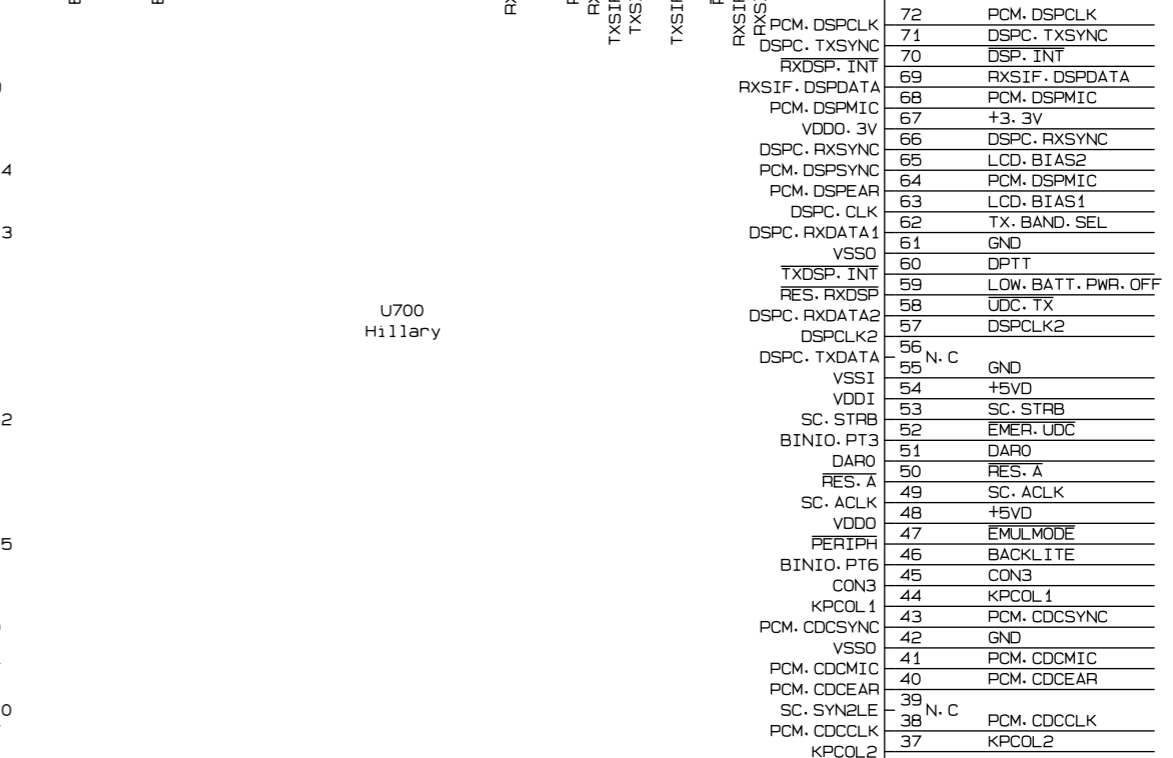
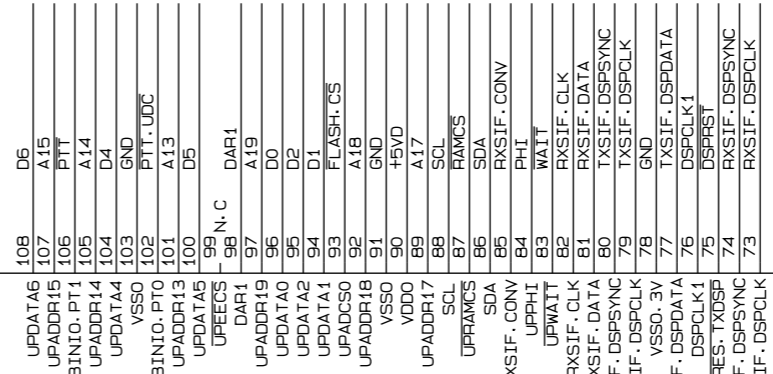
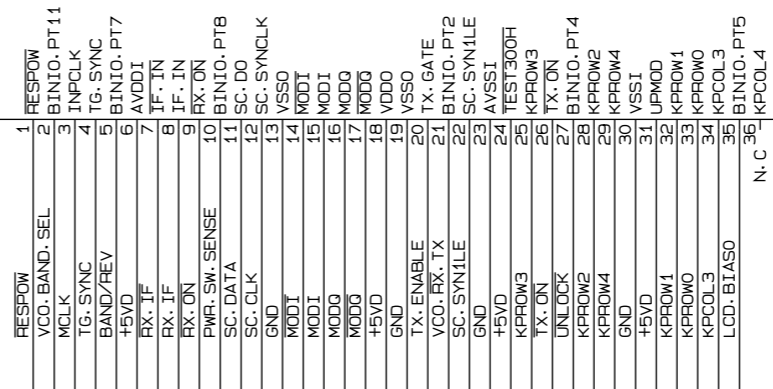
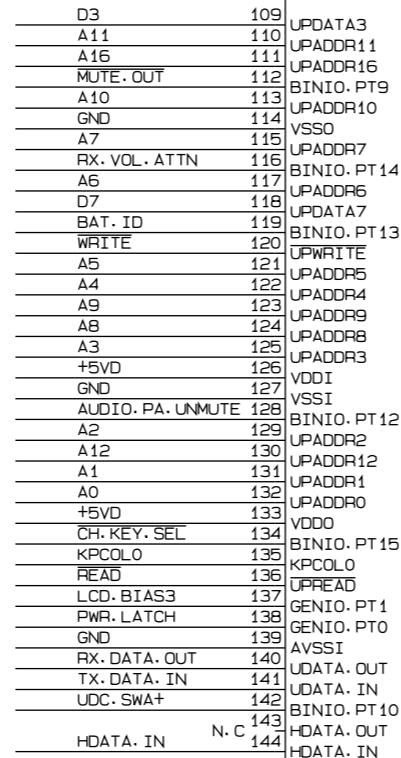
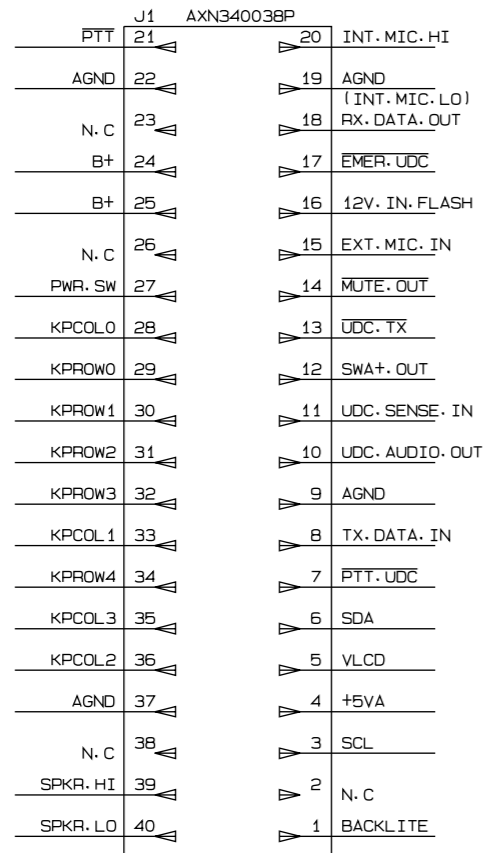
*1 R801 Not Used

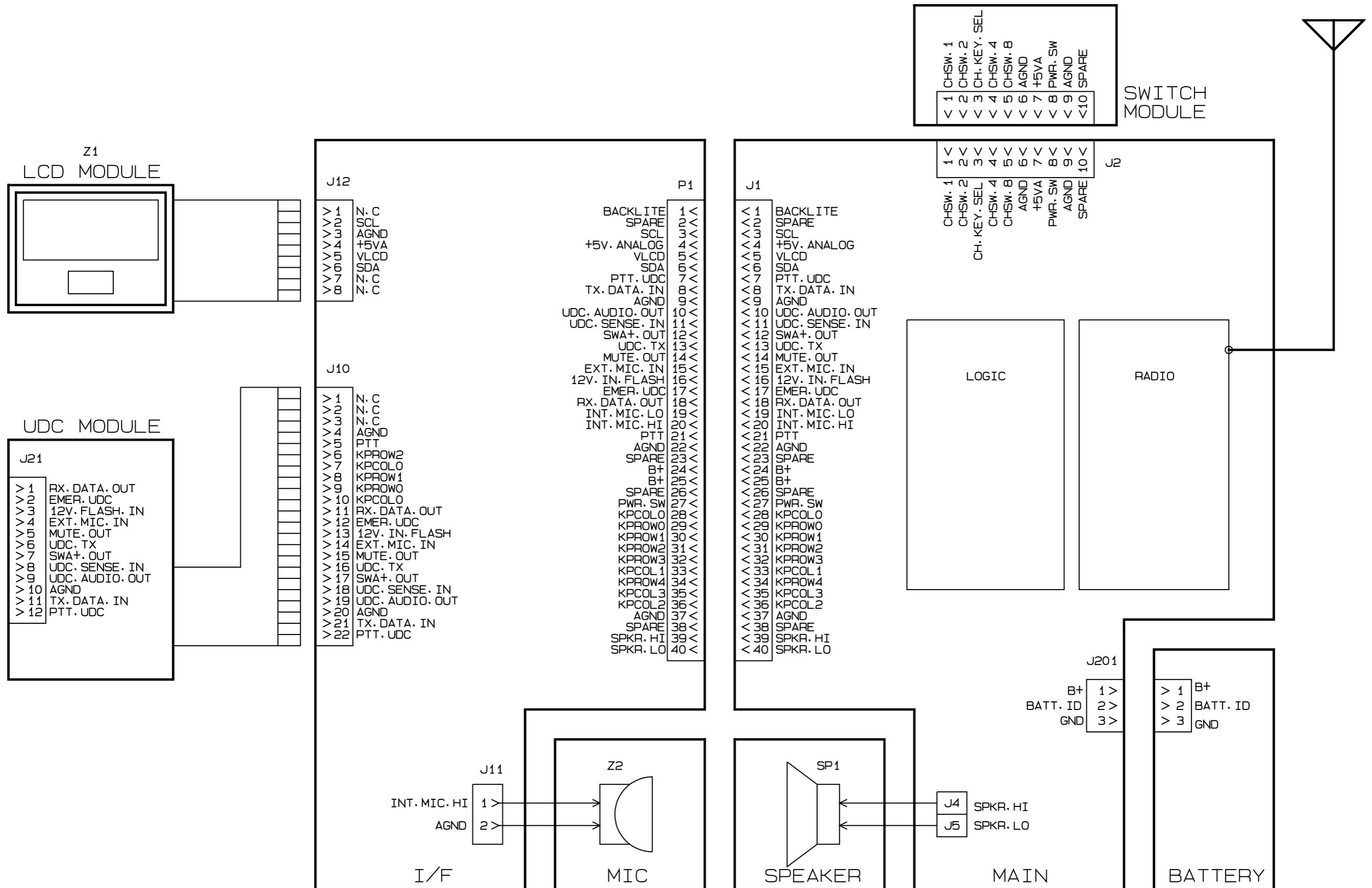
Jaguar 700P 800M Main Logic Block Schematic Diagram (4/6)



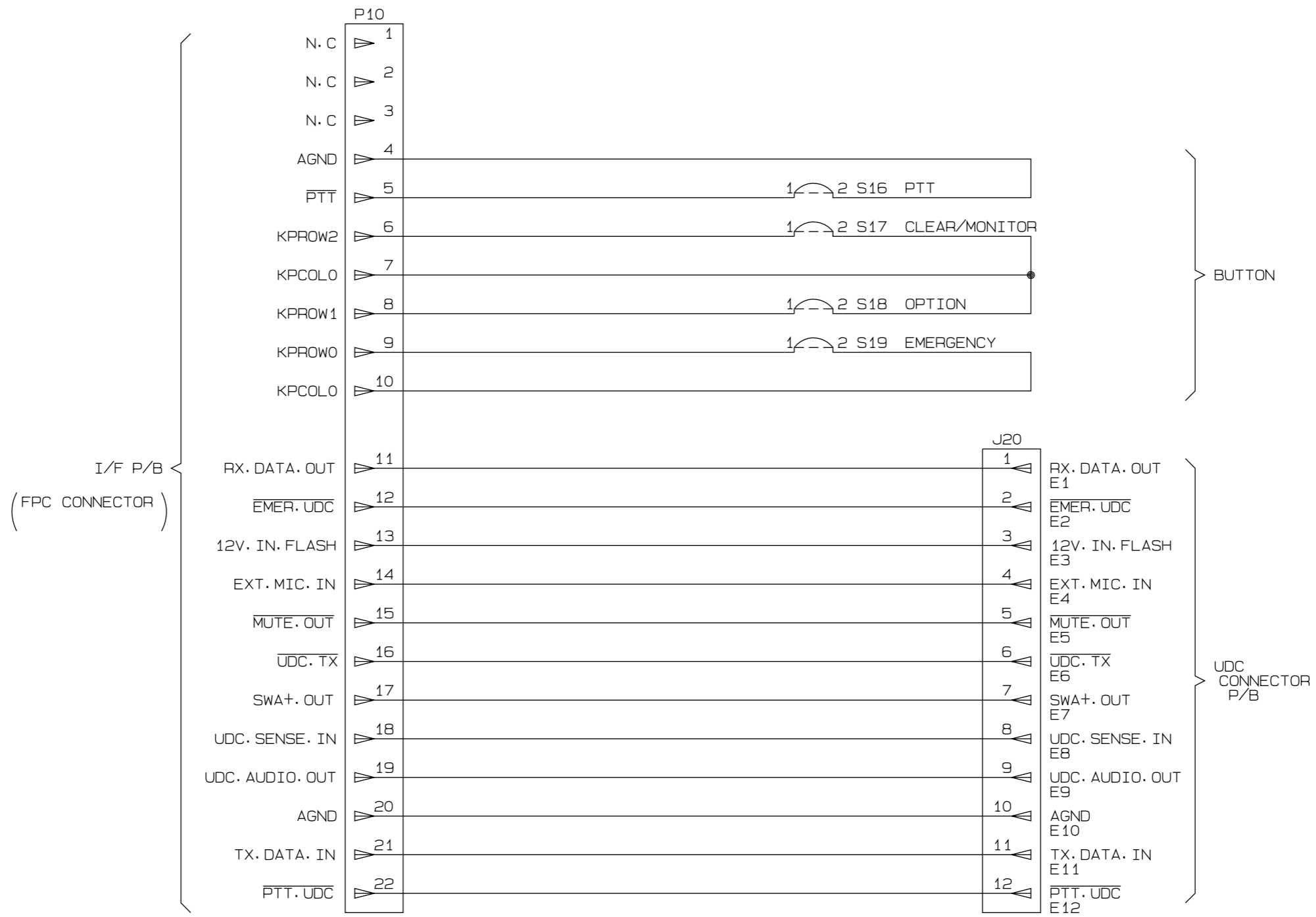
*1 R812, C907, C909, C919, C928 Not Used

Jaguar 700P 800M Main Logic Block Schematic Diagram (5/6)

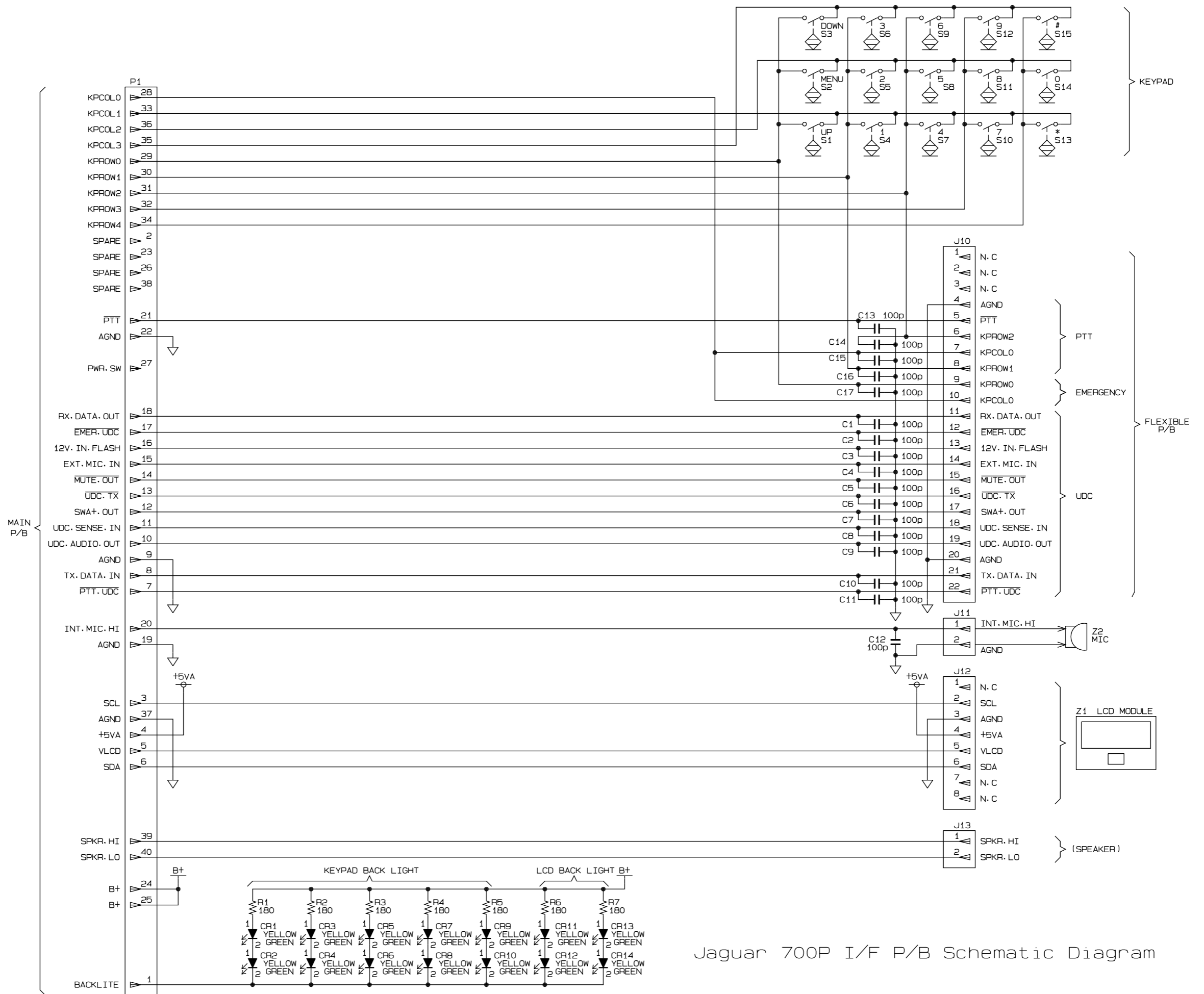




Jaguar 700P Interconnection Schematic Diagram



Jaguar 700P Flexible P/B Schematic Diagram



Jaguar 700P I/F P/B Schematic Diagram

