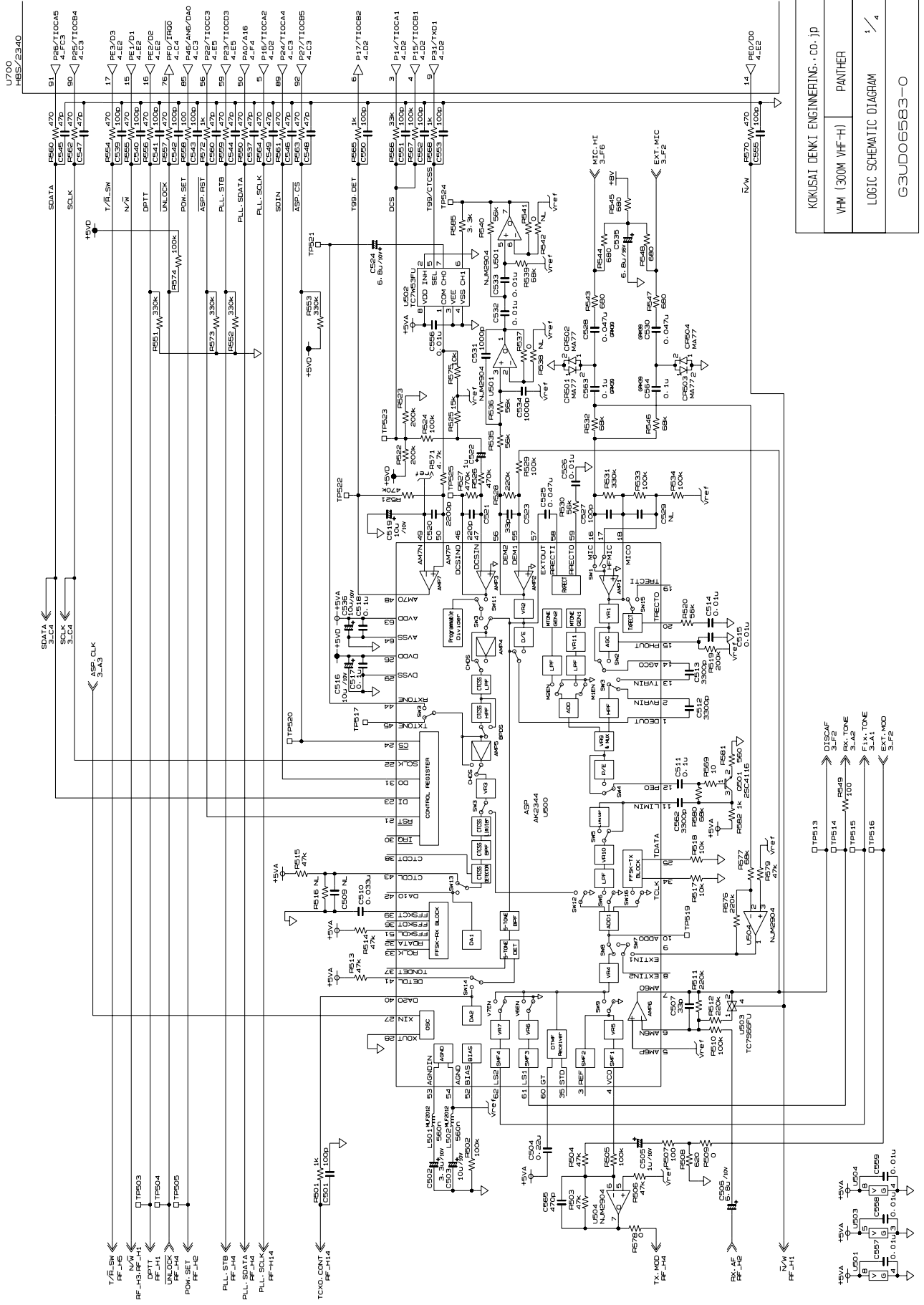




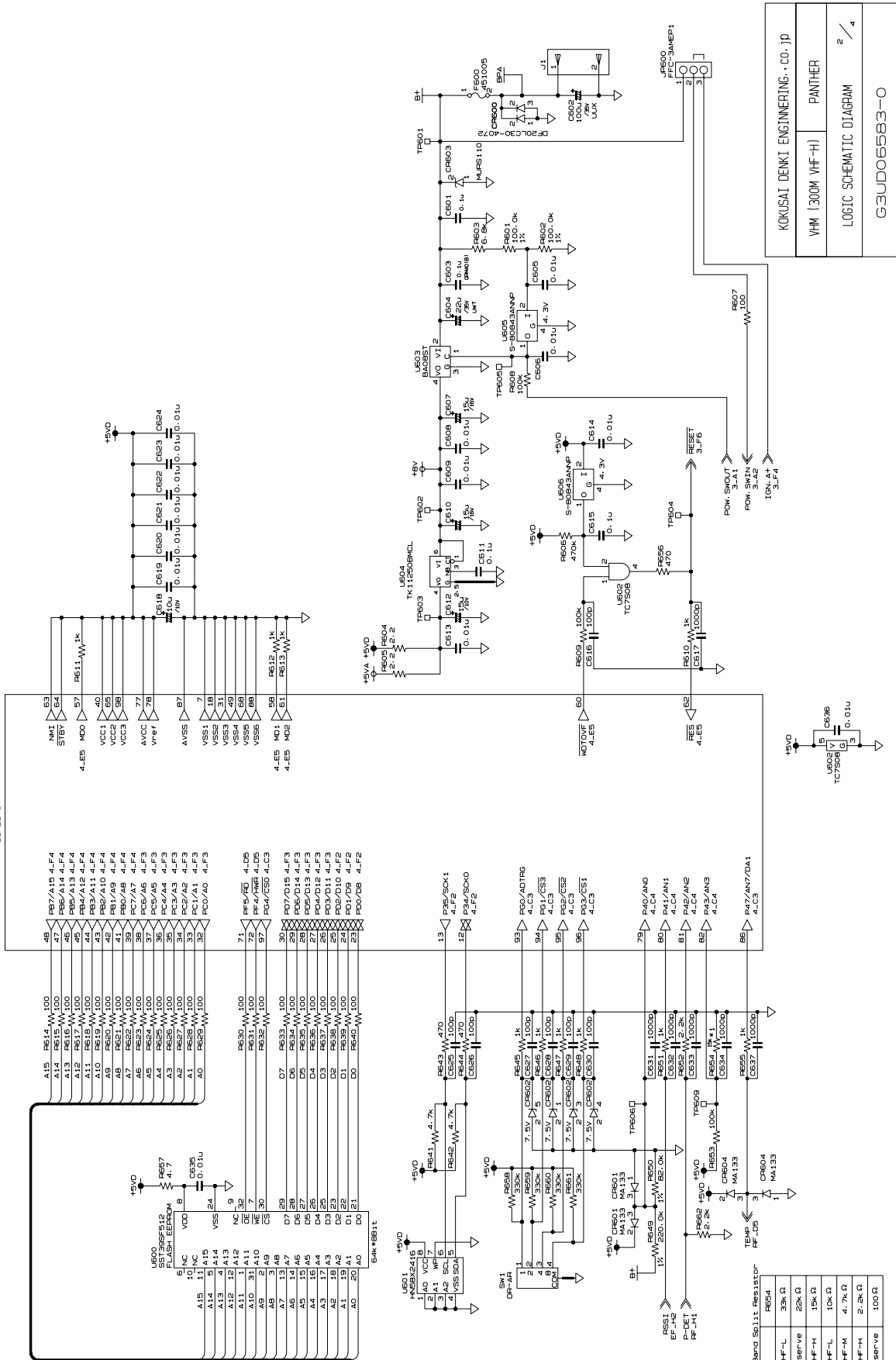
360 Herndon Parkway
Suite 1400
Herndon, VA 20170
<http://www.rheintech.com>

COMPANY: Com-Net Ericsson Critical Radio Systems, Inc.
FCC ID: OWDTR-0004-A
MODEL: TR-0004-A {Panther 300M VHF (150-174 MHz)}
WORK ORDER: 2001057 / QRTL01-031 / {REV-3}

APPENDIX F: SCHEMATICS



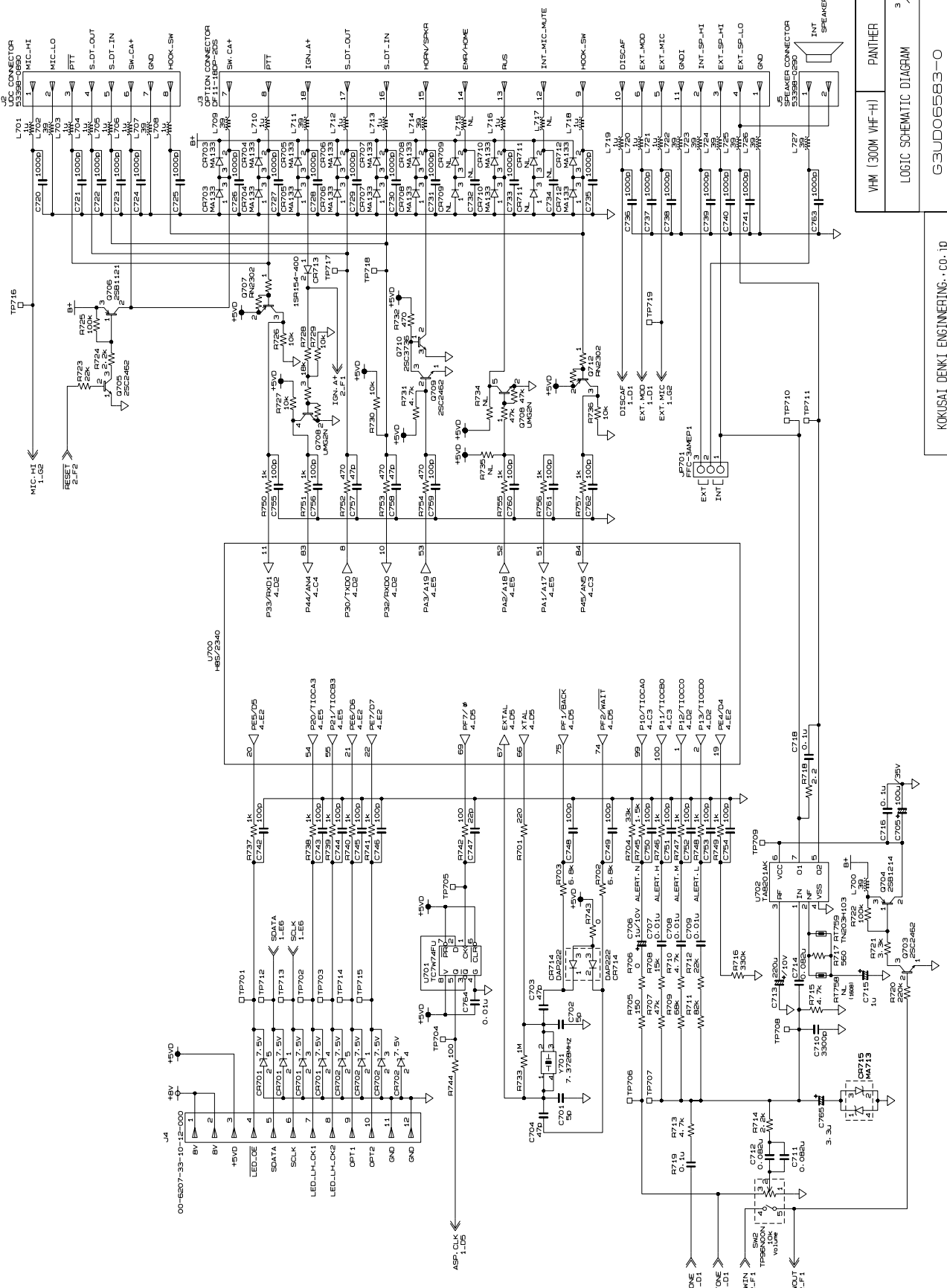
U700
H85/234D



*1 8-band Split Resistor

R654	VHF-L	33kΩ
	Reserve	20kΩ
	VHF-H	15kΩ
	UHF-L	10kΩ
	UHF-M	4.7kΩ
	UHF-H	2.2kΩ
	Reserve	100Ω

KOKUSAI DENKI ENGINEERING, CO., LTD.
VHM (300M VHF-H) PANTHER
LOGIC SCHEMATIC DIAGRAM 2 / 4
G3UD06583-0



VHM (300M VHF-H)	PANTHER
LOGIC SCHEMATIC DIAGRAM	
3 / 4	

KOKUSAI DENKI ENGINEERING . CO . JP

G3UD06583-0

