



EMC TEST REPORT

Kyocera Wireless Corp.

Tri-Mode Cellular Phone with Bluetooth capabilities

Model: **KX21-2X0 Storm**

RADIATED EMISSIONS

FCC, PART 2.1053

FCC, PART 22 SUBPART H

FCC, PART 24 SUBPART E

INDUSTRY CANADA, RSS-129

INDUSTRY CANADA, RSS-133

TEST REPORT # 2006 01032 KX21-2X0 22/24

26-032-KYO

NEMKO USA, INC.
11696 SORRENTO VALLEY ROAD SUITE F
SAN DIEGO, CA 92121
PHONE: 858-755-5525

| | | | |
|-------------------------------|--|---|-------------|
| <i>Nemko USA, Inc.</i> | | 11696 Sorrento Valley Road, Suite F, San Diego, CA 92121 Phone (858) 755-5525 Fax (858) 452-1810 | |
| DATE | DOCUMENT NAME | DOCUMENT # | PAGE |
| January 25, 2006 | Kyocera Wireless Corp. KX21-2X0 FCC Part 22/24 Test Report | 2006 01032 KX21-2X0 22/24 | 2 of 28 |

TABLE OF CONTENTS

1. DESCRIPTION OF TESTING METHODS.....7
2 TEST RESULTS 13

TEST SETUP DIAGRAMS

FIGURE 1. GENERAL EUT TEST SETUP PICTURE9
FIGURE 2. RADIATED EMISSIONS TEST SETUP DIAGRAM..... 11
FIGURE 3. SUBSTITUTION METHOD TEST SETUP DIAGRAM 12

TEST CONFIGURATION PHOTOGRAPHS

PHOTOGRAPH 1. KX21-2X0 STORM , TRI MODE MOBILE CELLULAR PHONE 8
PHOTOGRAPH 2. FCC, PART 22/24 RADIATED EMISSIONS TEST CONFIGURATION 22
PHOTOGRAPH 3. FCC, PART 22/24 RADIATED EMISSIONS TEST CONFIGURATION 23
PHOTOGRAPH 4. FCC, PART 22/24 RADIATED EMISSIONS TEST CONFIGURATION 24

APPENDICES

A. RADIATED EMISSIONS MEASUREMENT UNCERTAINTIES 25
B. NEMKO USA, INC.'S TEST EQUIPMENT & FACILITIES CALIBRATION PROGRAM..... 27

| | | | |
|------------------------|--|---|-------------|
| Nemko USA, Inc. | | 11696 Sorrento Valley Road, Suite F, San Diego, CA 92121 Phone (858) 755-5525 Fax (858) 452-1810 | |
| DATE | DOCUMENT NAME | DOCUMENT # | PAGE |
| January 25, 2006 | Kyocera Wireless Corp. KX21-2X0 FCC Part 22/24 Test Report | 2006 01032 KX21-2X0 22/24 | 3 of 28 |

**EMC Test Report
For
Kyocera Wireless Corp.**

Test Number : 26-032-KYO

Product Name : Tri-Mode Cellular Phone with Bluetooth capabilities

Regulation : FCC, Part 22, Subpart H, Part 24, Subpart E
: Industry Canada, RSS-129, RSS-133

Date : JANUARY 25, 2006

Report Reviewed

Accepted by: _____

Kyocera Wireless Corp.
10300 Campus Point Drive
San Diego, CA 92121
Phone: **858-882-3585**
Fax: **858-882-1739**

Report Issued By: *F. R. Fluery*

F. R. Fluery, Frontline Manager

Tested By:

Mike Krumweide
Mike Krumweide, EMC Test Engineer

| | | | |
|------------------------|--|---|-------------|
| Nemko USA, Inc. | | 11696 Sorrento Valley Road, Suite F, San Diego, CA 92121 Phone (858) 755-5525 Fax (858) 452-1810 | |
| DATE | DOCUMENT NAME | DOCUMENT # | PAGE |
| January 25, 2006 | Kyocera Wireless Corp. KX21-2X0 FCC Part 22/24 Test Report | 2006 01032 KX21-2X0 22/24 | 4 of 28 |

Administrative Data

Regulation : FCC, Part 22, Subpart H, Part 24, Subpart E
: Industry Canada, RSS-129, RSS-133

Test Method : ANSI C63.4 – 2003
: CSA C108. - M1983
: TIA/EIA 603B

Test Type : Certification
Manufacturer : Kyocera Wireless Corp.
EUT Type/:Model # : Tri-Mode Cellular Phone with Bluetooth capabilities/ KX21-2X0 Storm
Date(s) of Test : January 23 to January 24, 2006
Customer Personnel : Thuy To, Regulatory Engineer

Nemko Personnel : Mike Krumweide, EMC Test Engineer
:

Test Location : OPEN Area Test Site
Nemko USA, Inc.
11696 Sorrento Valley Road, Suite F
San Diego, CA 92121

| | | | |
|------------------------|--|---|-------------|
| Nemko USA, Inc. | | 11696 Sorrento Valley Road, Suite F, San Diego, CA 92121 Phone (858) 755-5525 Fax (858) 452-1810 | |
| DATE | DOCUMENT NAME | DOCUMENT # | PAGE |
| January 25, 2006 | Kyocera Wireless Corp. KX21-2X0 FCC Part 22/24 Test Report | 2006 01032 KX21-2X0 22/24 | 5 of 28 |

EUT Description

The KX21-2X0 Storm is a Tri-Mode Cellular Phone with Bluetooth capabilities. Its function is to provide communication for mobile phone users. The EUT was exercised in CDMA Transmit and Receive, FM Transmit and Receive, and PCS Transmit and Receive for radiated emissions.

| DEVICE | MANUFACTURER | | POWER CABLE |
|---|--|-----------------|--------------------|
| | MODEL # | SERIAL # | |
| EUT - Tri-Mode Cellular Phone with Bluetooth capabilities | Kyocera Wireless Corp. Model: KX21-2X0 Storm SN: AUDX----1CY7XR | | N/A |

| CONNECTION | I/O CABLE |
|-------------------|------------------|
| No connections | |

REASON FOR TEST

The EUT was tested to qualify for FCC Part 22 and Part 24, RSS-129 and RSS-133.

CHANGES MADE DURING TEST

The following design modifications were made to the EUT during testing.

No design modifications were made to the EUT during testing.

DEVIATIONS FROM STANDARD TEST METHOD

-- None

| | | | |
|-------------------------------|--|---|-------------|
| <i>Nemko USA, Inc.</i> | | 11696 Sorrento Valley Road, Suite F, San Diego, CA 92121 Phone (858) 755-5525 Fax (858) 452-1810 | |
| DATE | DOCUMENT NAME | DOCUMENT # | PAGE |
| January 25, 2006 | Kyocera Wireless Corp. KX21-2X0 FCC Part 22/24 Test Report | 2006 01032 KX21-2X0 22/24 | 6 of 28 |

CERTIFICATION AND TEST SUMMARY

| <i>Test Type</i> | <i>In Accordance with Document</i> | <i>Frequency Range Investigated</i> | <i>EUT Complies</i> |
|-----------------------------|--|--|----------------------------|
| Radiated Spurious Emissions | FCC, Part 22, Subpart H, Part 24, Subpart E Industry Canada, RSS-129, RSS-133 | 824 – 19990 MHz | PASS |

The **Tri-Mode Cellular Phone with Bluetooth capabilities** complied with FCC Part 15.109, Part 15.209, Part 22 and Part 24; Industry Canada, RSS129 and RSS-133 when tested in the system configuration defined herein.

| | | | |
|-------------------------------|--|---|-------------|
| <i>Nemko USA, Inc.</i> | | 11696 Sorrento Valley Road, Suite F, San Diego, CA 92121 Phone (858) 755-5525 Fax (858) 452-1810 | |
| DATE | DOCUMENT NAME | DOCUMENT # | PAGE |
| January 25, 2006 | Kyocera Wireless Corp. KX21-2X0 FCC Part 22/24 Test Report | 2006 01032 KX21-2X0 22/24 | 7 of 28 |

DESCRIPTION OF TEST SITE AND EQUIPMENT

Description of Test Site

The test site is located at 11696 Sorrento Valley Road, Suite F, San Diego, CA 92121. The site is physically located 18 miles Northwest of downtown San Diego. The general area is a valley 1.5 miles east of the Pacific Ocean. This particular part of the valley tends to minimize ambient levels, i.e. radio and TV broadcast stations and land mobile communications. The three and ten-meter Open Area Test Site (OATS) is located behind the office/lab building. It conforms to the normalized site attenuation limits and construction specifications as set in the EN 55022 (1998), CISPR 16 (2000) and 22 (1997) and ANSI C63.4 (2003) documents. The OATS normalized site attenuation characteristics are verified for compliance every year. The facility is NAVLAP accredited.

1. DESCRIPTION OF TESTING METHODS

1.1. Introduction

As required in 47 CFR, Parts 2 and 15, the methods employed to test the radiated and conducted emissions (as applicable) of the EUT are those contained within the American National Standards Institute document ANSI C63.4 (2003), titled "Methods of Measurement of Radio-Noise Emissions from Low-Voltage Electrical and Electronic Equipment in the Range of 9 kHz to 40 GHz." All applicable FCC Rule Sections that provide further guidance for performance of such testing are also observed.

For General Test Configuration please refer to Figure 1 on the following page.

Digital devices sold in Canada are required to comply with the Interference Causing Equipment Standard for Digital Apparatus, ICES-003. These test methods and limits are specified in the Canadian Standards Association's (CSA) Standard C108.8-M1983 (1-1-94 version) and are "essentially equivalent" with FCC, Part 15 and CISPR 22 (EN55022) rules for unintentional radiators per EMCAB-3, Issue 3 (May 1998). No further testing is required for compliance to ICES-003.

| | | | |
|------------------------|--|---|---------|
| <i>Nemko USA, Inc.</i> | | 11696 Sorrento Valley Road, Suite F, San Diego, CA 92121 Phone (858) 755-5525 Fax (858) 452-1810 | |
| DATE | DOCUMENT NAME | DOCUMENT # | PAGE |
| January 25, 2006 | Kyocera Wireless Corp. KX21-2X0 FCC Part 22/24 Test Report | 2006 01032 KX21-2X0 22/24 | 8 of 28 |

Photograph 1. KX21-2X0 Storm , Tri Mode Mobile Cellular Phone



| | | | |
|------------------------|--|---|---------|
| <i>Nemko USA, Inc.</i> | | 11696 Sorrento Valley Road, Suite F, San Diego, CA 92121 Phone (858) 755-5525 Fax (858) 452-1810 | |
| DATE | DOCUMENT NAME | DOCUMENT # | PAGE |
| January 25, 2006 | Kyocera Wireless Corp. KX21-2X0 FCC Part 22/24 Test Report | 2006 01032 KX21-2X0 22/24 | 9 of 28 |

Figure 1. General EUT Test Setup Picture



CONFIGURATION LEGEND

1. EUT: Tri-Mode Cellular Phone with Bluetooth capabilities
2. 80cm Non-Conductive Support Table

| | | | |
|------------------------|--|---|-------------|
| Nemko USA, Inc. | | 11696 Sorrento Valley Road, Suite F, San Diego, CA 92121 Phone (858) 755-5525 Fax (858) 452-1810 | |
| DATE | DOCUMENT NAME | DOCUMENT # | PAGE |
| January 25, 2006 | Kyocera Wireless Corp. KX21-2X0 FCC Part 22/24 Test Report | 2006 01032 KX21-2X0 22/24 | 10 of 28 |

1.2. Configuration and Methods of Measurements for Radiated Emissions

Section 8 of ANSI C63.4 determines the general configuration and procedures for measuring the radiated emissions of equipment under test. Initially, the primary emission frequencies are identified inside the test lab by positioning a broadband receive antenna one meter from the EUT to locate frequencies of significant radiation. Next, the EUT and associated system are placed on a turntable on a ten meter open area test site (registered with the FCC in accord with its Rules and ANSI C63.4) and the receive antenna is located at a distance of three meters from the EUT.

The EUT and associated system are configured to operate continuously, representing a “normally operating” mode. All significant radiated emissions are recorded when maximum radiation on each frequency is observed, in accordance with part 8 of ANSI C63.4 and Section 15.33 of the FCC Rules. To ensure that the maximum emission at each discrete frequency of interest is observed, the receive antenna is varied in height from one to four meters and rotated to horizontal and vertical polarities, and the turntable is also rotated to determine the worst emitting configuration. The numerical results of the test are included herein to demonstrate compliance.

The numerical results that are applied to the emissions limits are arrived at by the following method:

Example: $A = RR + CL + AF$

A = Amplitude dBuV/M

RR = Receiver Reading dBuV

CL = cable loss dB

AF = antenna factor dBm-1

Example Frequency = 110MHz

18.5 dBuV (spectrum analyzer reading)

+3.0 dB (cable loss @ frequency)

21.5 dBuV

+15.4 dBm-1 (antenna factor @ frequency)

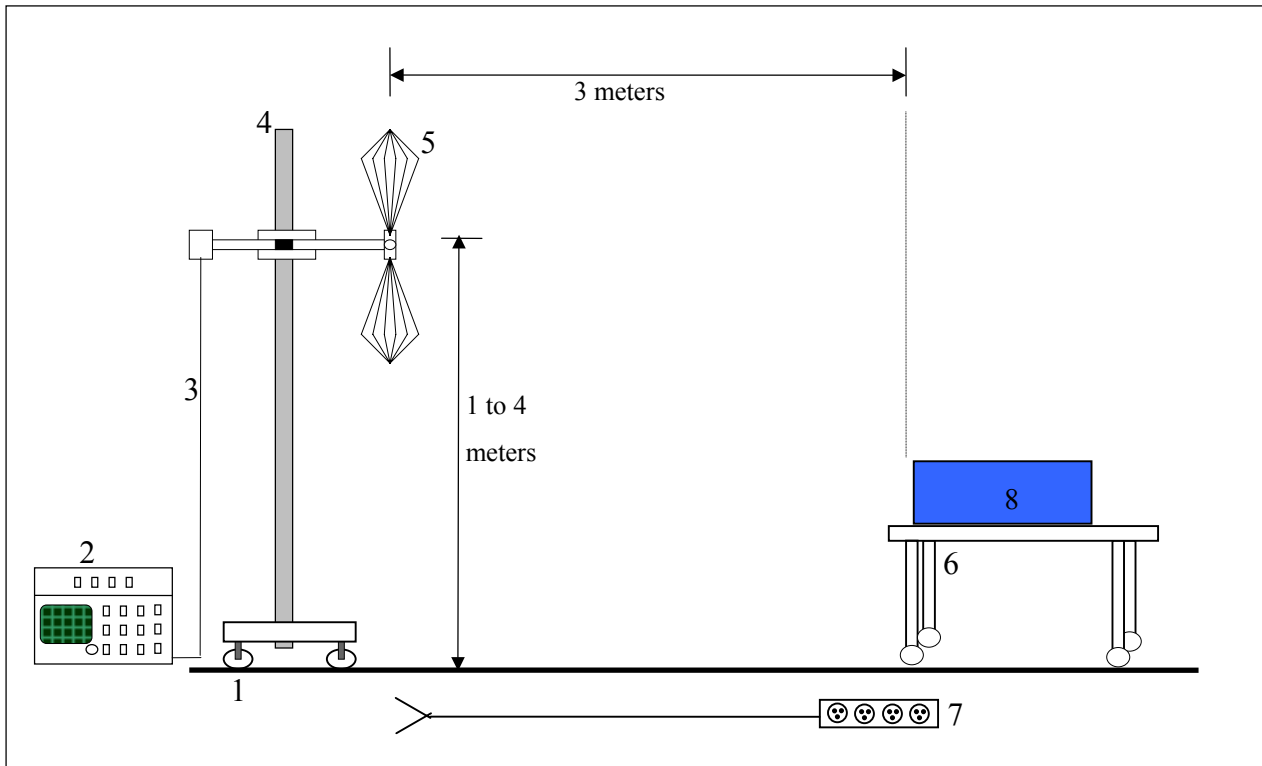
36.9 dBuV/M Final adjusted value

The final adjusted value is then compared to the appropriate emission limit to determine compliance.

For Radiated Emissions Test Configuration please refer to Figure 4 on the following page.

| | | | |
|------------------------|--|---|-------------|
| Nemko USA, Inc. | | 11696 Sorrento Valley Road, Suite F, San Diego, CA 92121 Phone (858) 755-5525 Fax (858) 452-1810 | |
| DATE | DOCUMENT NAME | DOCUMENT # | PAGE |
| January 25, 2006 | Kyocera Wireless Corp. KX21-2X0 FCC Part 22/24 Test Report | 2006 01032 KX21-2X0 22/24 | 11 of 28 |

Figure 2. Radiated Emissions Test Setup Diagram



NOT TO SCALE

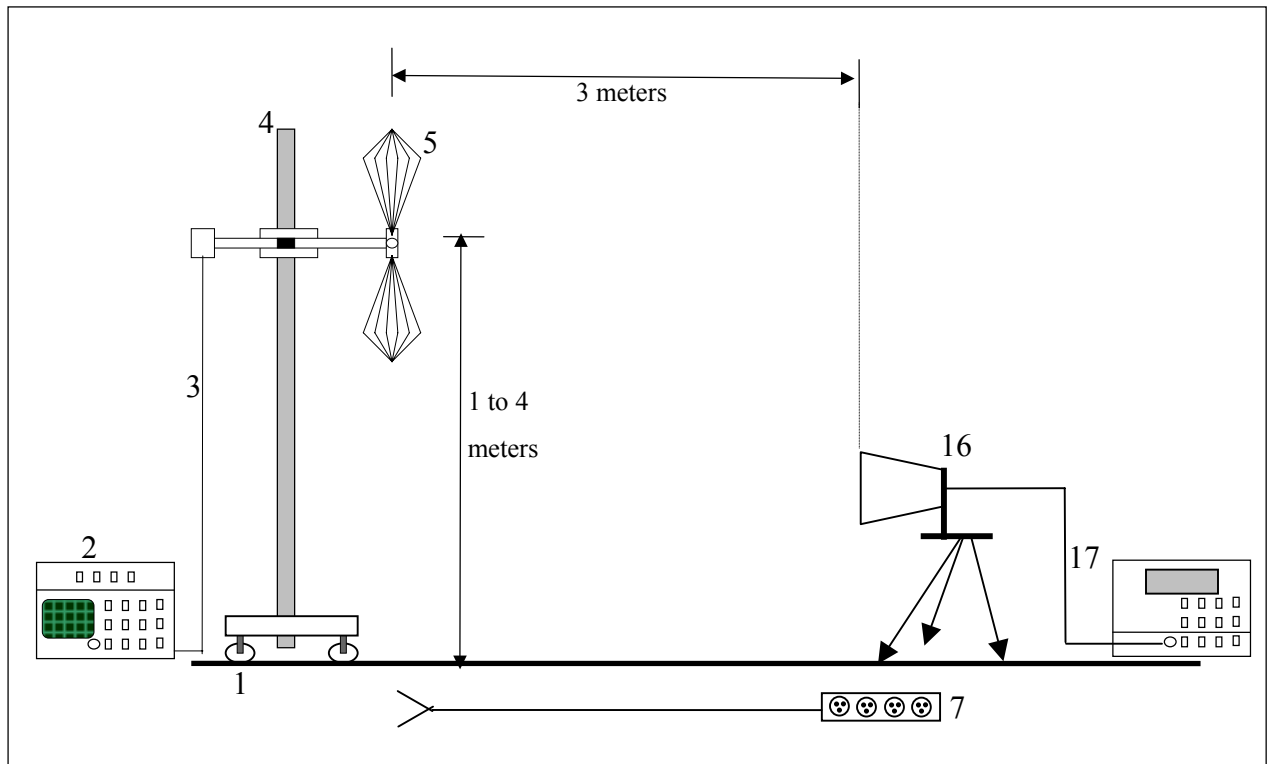
CONFIGURATION LEGEND

1. Ground plane (11 X 17 meters)
2. Spectrum Analyzer with Quasi-Peak Adapter
3. Coax interconnect from Receive Antenna to Spectrum Analyzer
4. Antenna Mast with motorized mounting assembly
5. Receive Antenna (basic relative position)
6. Non-Conducting table 80 cm above ground plane
7. AC power for devices
8. EUT: **Tri-Mode Cellular Phone with Bluetooth capabilities**

Radiated emissions were measured on three orthogonal axes. Only the maximum emissions of the three axes are stated in this report. Test setup pictures of these axes are found further in this report.

| | | | |
|------------------------|--|---|-------------|
| Nemko USA, Inc. | | 11696 Sorrento Valley Road, Suite F, San Diego, CA 92121 Phone (858) 755-5525 Fax (858) 452-1810 | |
| DATE | DOCUMENT NAME | DOCUMENT # | PAGE |
| January 25, 2006 | Kyocera Wireless Corp. KX21-2X0 FCC Part 22/24 Test Report | 2006 01032 KX21-2X0 22/24 | 12 of 28 |

Figure 3. Substitution Method Test Setup Diagram



NOT TO SCALE

CONFIGURATION LEGEND

- 9. Ground plane (11 X 17 meters)
- 10. Spectrum Analyzer with Quasi-Peak Adapter
- 11. Coax interconnect from Receive Antenna to Spectrum Analyzer
- 12. Antenna Mast with motorized mounting assembly
- 13. Receive Antenna (basic relative position)
- 14. Non-Conducting table 80 cm above ground plane
- 15. AC power for devices
- 16. Radiating Horn Antenna
- 17. Signal Generator

| | | | |
|-------------------------------|--|---|-------------|
| <i>Nemko USA, Inc.</i> | | 11696 Sorrento Valley Road, Suite F, San Diego, CA 92121 Phone (858) 755-5525 Fax (858) 452-1810 | |
| DATE | DOCUMENT NAME | DOCUMENT # | PAGE |
| January 25, 2006 | Kyocera Wireless Corp. KX21-2X0 FCC Part 22/24 Test Report | 2006 01032 KX21-2X0 22/24 | 13 of 28 |

2 Test Results

2.1 Radiated Emissions Test Data

FCC Part 2, 22 & 24 Emissions Substitution

- 1) Methodology Used: TIA/EIA603 (see attached excerpt).
- 2) The Substitution Method is used for fundamental power levels and spurious emissions when RF emission signals are measured within 20 dB of the limit.
- 3) Formula Used to calculate the values:
 - a) Measured value + antenna factor + cable loss - preamplifier = Max Level
 - b) Margin = Max level - Limit
 - c) Signal Generator power level - cable loss + antenna gain = ERP Part 22 or EIRP Part 24
 - d) Substituted Margin = ERP (or EIRP) - Limit

Note: gain for dipole = 0; antenna factor is not the same as antenna gain

Note: The signal generator power level is the power required when transmitting into the substituting antenna to duplicate the Measured Value. Substituted margin is reported in 731 forms pertaining to certification grants and Class II Permissive Changes when a direct conducted power reading cannot be performed.

Note: Per FCC Part 2:1051 the FCC does not require reporting of Spurious Emissions when they are more than 20dB below the permissible limit, therefore no signal substitution measurements will be performed on these signals.

| | | | |
|------------------------|--|---|-------------|
| Nemko USA, Inc. | | 11696 Sorrento Valley Road, Suite F, San Diego, CA 92121 Phone (858) 755-5525 Fax (858) 452-1810 | |
| DATE | DOCUMENT NAME | DOCUMENT # | PAGE |
| January 25, 2006 | Kyocera Wireless Corp. KX21-2X0 FCC Part 22/24 Test Report | 2006 01032 KX21-2X0 22/24 | 14 of 28 |

Radiated Emissions Data

Job # : 26-032-KYO Test # : 1
Page 1 of 1

| | | | |
|-----------------|------------------|-----------------------|-----------------------|
| Client Name : | Kyocera-Wireless | | |
| EUT Name : | Cellular Phone | | |
| EUT Model # : | KX21-2X0 | | |
| EUT Serial # : | AUDX----1CY7XR | | |
| EUT Config. : | FM TX Harmonics | | |
| | Open | | |
| Specification : | FCC Part 22 | | Reference : |
| Rod. Ant. #: | _____ | Temp. (°C) : | <u>19</u> |
| Bicon Ant.#: | _____ | Humidity (%) : | <u>17</u> |
| Log Ant.#: | _____ | EUT Voltage : | <u>NA</u> |
| DRG Ant. # | <u>529</u> | EUT Frequency : | <u>NA</u> |
| Dipole Ant.#: | _____ | Phase: | <u>NA</u> |
| Cable#: | <u>40ft</u> | Location: | <u>RN # 329550-01</u> |
| Preamp#: | <u>842</u> | Distance: | <u>3m</u> |
| Spec An.#: | <u>835</u> | ERP conversion factor | <u>7</u> |
| | | Date : | <u>01/23/06</u> |
| | | Staff : | <u>Mike Krumweide</u> |
| | | Peak Bandwidth: | <u>1 MHz</u> |
| | | Video Bandwidth | <u>1 MHz</u> |

| Meas. Freq. (MHz) | Vertical (dBuV) pk | Horizontal (dBuV) pk | CF (db) | Max Level (dBm) pk | Spec. Limit (ERP) (dBm) pk | Margin dB pk | EUT Rotation | Ant. Height | Pass Fail Unc. | Comment |
|-------------------|--------------------|----------------------|---------|--------------------|----------------------------|--------------|--------------|-------------|----------------|-------------------|
| | | | | | | | | | | Maximum of 3 Axes |
| 1648.08 | 75.2 | 77.0 | -20.9 | -41.2 | -13.0 | -28.2 | | 1.5 | Pass | * |
| 2472.12 | 68.3 | 67.0 | -16.2 | -45.2 | -13.0 | -32.2 | | 1.0 | Pass | * |
| 3296.16 | 51.9 | 52.2 | -9.8 | -54.9 | -13.0 | -41.9 | | 2.0 | Pass | * |
| 4120.20 | 51.5 | 52.0 | -5.0 | -50.2 | -13.0 | -37.2 | | 2.0 | Pass | * |
| 4944.24 | 50.5 | 50.5 | -5.4 | -52.1 | -13.0 | -39.1 | | | Pass | NF |
| 5768.28 | 50.6 | 50.6 | -0.8 | -47.4 | -13.0 | -34.4 | | | Pass | NF |
| 6592.32 | 50.7 | 50.7 | 0.7 | -45.9 | -13.0 | -32.9 | | | Pass | NF |
| 7416.36 | 48.5 | 48.5 | 3.3 | -45.5 | -13.0 | -32.5 | | | Pass | NF |
| 8240.40 | 47.1 | 47.1 | 5.6 | -44.6 | -13.0 | -31.6 | | | Pass | NF |
| 9064.44 | 45.6 | 45.6 | 9.8 | -41.9 | -13.0 | -28.9 | | | Pass | NF |
| 1672.98 | 72.5 | 74.8 | -20.9 | -43.4 | -13.0 | -30.4 | | 1.0 | Pass | * |
| 2509.47 | 71.3 | 63.3 | -15.3 | -41.3 | -13.0 | -28.3 | | 1.0 | Pass | * |
| 3345.96 | 51.3 | 52.6 | -9.8 | -54.5 | -13.0 | -41.5 | | 2.2 | Pass | * |
| 4182.45 | 50.5 | 51.2 | -5.0 | -51.0 | -13.0 | -38.0 | | 1.6 | Pass | * |
| 5018.94 | 50.5 | 50.5 | -1.6 | -48.3 | -13.0 | -35.3 | | | Pass | NF |
| 5855.43 | 50.8 | 50.8 | -0.8 | -47.2 | -13.0 | -34.2 | | | Pass | NF |
| 6691.92 | 49.5 | 49.5 | 0.7 | -47.1 | -13.0 | -34.1 | | | Pass | NF |
| 7528.41 | 47.6 | 47.6 | 4.5 | -45.2 | -13.0 | -32.2 | | | Pass | NF |
| 8364.90 | 49.5 | 49.5 | 5.6 | -42.2 | -13.0 | -29.2 | | | Pass | NF |
| 9201.39 | 46 | 46 | 9.8 | -41.5 | -13.0 | -28.5 | | | Pass | NF |
| 1697.94 | 75.6 | 71.7 | -20.9 | -42.6 | -13.0 | -29.6 | | 1.0 | Pass | * |
| 2546.91 | 70.1 | 71.8 | -15.3 | -40.8 | -13.0 | -27.8 | | 1.2 | Pass | * |
| 3395.88 | 52.1 | 53.3 | -9.8 | -53.8 | -13.0 | -40.8 | | 1.8 | Pass | * |
| 4244.85 | 49.7 | 50.4 | -5.0 | -51.8 | -13.0 | -38.8 | | 1.0 | Pass | * |
| 5093.82 | 50.3 | 50.3 | -1.6 | -48.5 | -13.0 | -35.5 | | | Pass | NF |
| 5942.79 | 49.8 | 49.8 | -0.8 | -48.2 | -13.0 | -35.2 | | | Pass | NF |
| 6791.76 | 48.3 | 48.3 | 0.7 | -48.3 | -13.0 | -35.3 | | | Pass | NF |
| 7640.73 | 47.4 | 47.4 | 4.5 | -45.4 | -13.0 | -32.4 | | | Pass | NF |
| 8489.70 | 47.8 | 47.8 | 5.6 | -43.9 | -13.0 | -30.9 | | | Pass | NF |
| 9338.67 | 46.2 | 46.2 | 9.8 | -41.3 | -13.0 | -28.3 | | | Pass | NF |

* = Signal Measured NF = Noise Floor, no signal observed, even at lower RBW.

| DATE | DOCUMENT NAME | DOCUMENT # | PAGE |
|------------------|--|---------------------------|----------|
| January 25, 2006 | Kyocera Wireless Corp. KX21-2X0 FCC Part 22/24 Test Report | 2006 01032 KX21-2X0 22/24 | 15 of 28 |

Radiated Emissions Data

Job #: 26-032-KYO Test #: 2
Page 1 of 1

| | | | |
|-----------------|------------------|-----------------------|--|
| Client Name : | Kyocera-Wireless | | |
| EUT Name : | Cellular Phone | | |
| EUT Model # : | KX21-2X0 | | |
| EUT Serial # : | AUDX----1CY7XR | | |
| EUT Config. : | FM TX Harmonics | | |
| | Closed | | |
| Specification : | FCC Part 22 | | Reference : |
| Rod. Ant. #: | _____ | Temp. (°C) : | <u>19</u> Date : <u>01/23/06</u> |
| Bicon Ant.#: | _____ | Humidity (%) : | <u>17</u> Staff : <u>Mike Krumweide</u> |
| Log Ant.#: | _____ | EUT Voltage : | <u>NA</u> Peak Bandwidth: <u>1 MHz</u> |
| DRG Ant. # | <u>529</u> | EUT Frequency : | <u>NA</u> Video Bandwidth <u>1 MHz</u> |
| Dipole Ant.#: | _____ | Phase: | <u>NA</u> |
| Cable#: | <u>40ft</u> | Location: | <u>RN # 329550-01</u> |
| Preamp#: | <u>842</u> | Distance: | <u>3m</u> |
| Spec An.#: | <u>835</u> | ERP conversion factor | <u>7</u> |

| Meas. Freq. (MHz) | Vertical (dBuV) pk | Horizontal (dBuV) pk | CF (db) | Max Level (dBm) pk | Spec. Limit (ERP) (dBm) pk | Margin dB pk | EUT Rotation | Ant. Height | Pass Fail Unc. | Comment |
|-------------------|--------------------|----------------------|---------|--------------------|----------------------------|--------------|--------------|-------------|----------------|-------------------|
| | | | | | | | | | | Maximum of 3 Axes |
| 1648.08 | 75.3 | 74.6 | -20.9 | -42.9 | -13.0 | -29.9 | | 1.0 | Pass | * |
| 2472.12 | 59.8 | 60.5 | -16.2 | -53.0 | -13.0 | -40.0 | | 1.4 | Pass | * |
| 3296.16 | 51.5 | 52.3 | -9.8 | -54.8 | -13.0 | -41.8 | | 1.4 | Pass | * |
| 4120.20 | 51.0 | 51.5 | -5.0 | -50.7 | -13.0 | -37.7 | | 1.0 | Pass | * |
| 4944.24 | 50.5 | 50.5 | -5.4 | -52.1 | -13.0 | -39.1 | | | Pass | NF |
| 5768.28 | 50.6 | 50.6 | -0.8 | -47.4 | -13.0 | -34.4 | | | Pass | NF |
| 6592.32 | 50.7 | 50.7 | 0.7 | -45.9 | -13.0 | -32.9 | | | Pass | NF |
| 7416.36 | 48.5 | 48.5 | 3.3 | -45.5 | -13.0 | -32.5 | | | Pass | NF |
| 8240.40 | 47.1 | 47.1 | 5.6 | -44.6 | -13.0 | -31.6 | | | Pass | NF |
| 9064.44 | 45.6 | 45.6 | 9.8 | -41.9 | -13.0 | -28.9 | | | Pass | NF |
| 1672.98 | 72.5 | 72.0 | -20.9 | -45.7 | -13.0 | -32.7 | | 1.0 | Pass | * |
| 2509.47 | 75.4 | 74.5 | -15.3 | -37.2 | -13.0 | -24.2 | | 1.0 | Pass | * |
| 3345.96 | 52.0 | 51.8 | -9.8 | -55.1 | -13.0 | -42.1 | | 1.0 | Pass | * |
| 4182.45 | 50.9 | 50.8 | -5.0 | -51.3 | -13.0 | -38.3 | | 1.7 | Pass | * |
| 5018.94 | 50.5 | 50.5 | -1.6 | -48.3 | -13.0 | -35.3 | | | Pass | NF |
| 5855.43 | 50.8 | 50.8 | -0.8 | -47.2 | -13.0 | -34.2 | | | Pass | NF |
| 6691.92 | 49.5 | 49.5 | 0.7 | -47.1 | -13.0 | -34.1 | | | Pass | NF |
| 7528.41 | 47.6 | 47.6 | 4.5 | -45.2 | -13.0 | -32.2 | | | Pass | NF |
| 8364.90 | 49.5 | 49.5 | 5.6 | -42.2 | -13.0 | -29.2 | | | Pass | NF |
| 9201.39 | 46 | 46 | 9.8 | -41.5 | -13.0 | -28.5 | | | Pass | NF |
| 1697.94 | 67.8 | 71.2 | -20.9 | -47.0 | -13.0 | -34.0 | | 1.0 | Pass | * |
| 2546.91 | 74.8 | 77.0 | -15.3 | -35.6 | -13.0 | -22.6 | | 2.0 | Pass | * |
| 3395.88 | 53.0 | 53.9 | -9.8 | -53.2 | -13.0 | -40.2 | | 1.0 | Pass | * |
| 4244.85 | 50.3 | 49.7 | -5.0 | -51.9 | -13.0 | -38.9 | | 2.0 | Pass | * |
| 5093.82 | 50.3 | 50.3 | -1.6 | -48.5 | -13.0 | -35.5 | | | Pass | NF |
| 5942.79 | 49.8 | 49.8 | -0.8 | -48.2 | -13.0 | -35.2 | | | Pass | NF |
| 6791.76 | 48.3 | 48.3 | 0.7 | -48.3 | -13.0 | -35.3 | | | Pass | NF |
| 7640.73 | 47.4 | 47.4 | 4.5 | -45.4 | -13.0 | -32.4 | | | Pass | NF |
| 8489.70 | 47.8 | 47.8 | 5.6 | -43.9 | -13.0 | -30.9 | | | Pass | NF |
| 9338.67 | 46.2 | 46.2 | 9.8 | -41.3 | -13.0 | -28.3 | | | Pass | NF |

* = Signal Measured NF = Noise Floor, no signal observed, even at lower RBW.

| DATE | DOCUMENT NAME | DOCUMENT # | PAGE |
|------------------|--|---------------------------|----------|
| January 25, 2006 | Kyocera Wireless Corp. KX21-2X0 FCC Part 22/24 Test Report | 2006 01032 KX21-2X0 22/24 | 16 of 28 |

Radiated Emissions Data

Job # : 26-032-KYO Test # : 3
Page 1 of 1

| | | | |
|-----------------|--------------------------|-------------------------|-----------------------|
| Client Name : | <u>Kyocera-Wireless</u> | | |
| EUT Name : | <u>Cellular Phone</u> | | |
| EUT Model # : | <u>KX21-2X0</u> | | |
| EUT Serial # : | <u>AUDX----1CY7XR</u> | | |
| EUT Config. : | <u>CDMA TX Harmonics</u> | | |
| | <u>Open</u> | | |
| Specification : | <u>FCC Part 22</u> | | |
| Rod. Ant. # : | _____ | Temp. (°C) : | <u>19</u> |
| Bicon Ant.# : | _____ | Humidity (%) : | <u>17</u> |
| Log Ant.# : | _____ | EUT Voltage : | <u>NA</u> |
| DRG Ant. # : | <u>529</u> | EUT Frequency : | <u>NA</u> |
| Dipole Ant.# : | _____ | Phase : | <u>NA</u> |
| Cable# : | <u>40ft</u> | Location : | <u>RN # 329550-01</u> |
| Preamp# : | <u>842</u> | Distance : | <u>3m</u> |
| Spec An.# : | <u>835</u> | ERP conversion factor : | <u>7</u> |

| | | |
|-------------|-------------------|-----------------------|
| Reference : | Date : | <u>01/24/06</u> |
| | Staff : | <u>Mike Krumweide</u> |
| | Peak Bandwidth : | <u>1 MHz</u> |
| | Video Bandwidth : | <u>1 MHz</u> |

| Meas. Freq. (MHz) | Vertical (dBuV) pk | Horizontal (dBuV) pk | CF (db) | Max Level (dBm) pk | Spec. Limit (ERP) (dBm) pk | Margin dB pk | EUT Rotation | Ant. Height | Pass Fail Unc. | Comment |
|-------------------|--------------------|----------------------|---------|--------------------|----------------------------|--------------|--------------|-------------|----------------|-------------------|
| | | | | | | | | | | Maximum of 3 Axes |
| 1649.40 | 75.9 | 78.8 | -20.94 | -39.4 | -13.0 | -26.4 | | 1.0 | Pass | * |
| 2474.10 | 82.7 | 83.3 | -16.2 | -30.2 | -13.0 | -17.2 | | 2.2 | Pass | * |
| 3298.80 | 56.0 | 52.6 | -9.841 | -51.1 | -13.0 | -38.1 | | 1.7 | Pass | * |
| 4123.50 | 56.2 | 56.8 | -4.952 | -45.4 | -13.0 | -32.4 | | 2.0 | Pass | * |
| 4948.20 | 50.5 | 50.5 | -5.352 | -52.1 | -13.0 | -39.1 | | | Pass | NF |
| 5772.90 | 50.6 | 50.6 | -0.771 | -47.4 | -13.0 | -34.4 | | | Pass | NF |
| 6597.60 | 50.7 | 50.7 | 0.6822 | -45.9 | -13.0 | -32.9 | | | Pass | NF |
| 7422.30 | 50.2 | 50.2 | 3.3067 | -43.8 | -13.0 | -30.8 | | | Pass | NF |
| 8247.00 | 49 | 49 | 5.5678 | -42.7 | -13.0 | -29.7 | | | Pass | NF |
| 9071.70 | 47.2 | 47.2 | 9.7989 | -40.3 | -13.0 | -27.3 | | | Pass | NF |
| | | | | | | | | | | |
| 1672.98 | 76.5 | 78.2 | -20.94 | -40.0 | -13.0 | -27.0 | | 1.0 | Pass | * |
| 2509.47 | 82.6 | 83.9 | -15.3 | -28.7 | -13.0 | -15.7 | | 3.0 | Pass | * |
| 3345.96 | 57.0 | 59.7 | -9.841 | -47.4 | -13.0 | -34.4 | | 2.3 | Pass | * |
| 4182.45 | 61.3 | 64.1 | -4.952 | -38.1 | -13.0 | -25.1 | | 1.0 | Pass | * |
| 5018.94 | 50.0 | 50.0 | -1.571 | -48.8 | -13.0 | -35.8 | | | Pass | NF |
| 5855.43 | 54.6 | 54.2 | -0.771 | -43.4 | -13.0 | -30.4 | | 1.1 | Pass | * |
| 6691.92 | 49.5 | 49.5 | 0.6822 | -47.1 | -13.0 | -34.1 | | | Pass | NF |
| 7528.41 | 49.7 | 49.7 | 4.5067 | -43.1 | -13.0 | -30.1 | | | Pass | NF |
| 8364.90 | 47.9 | 47.9 | 5.5678 | -43.8 | -13.0 | -30.8 | | | Pass | NF |
| 9201.39 | 46.2 | 46.2 | 9.7989 | -41.3 | -13.0 | -28.3 | | | Pass | NF |
| | | | | | | | | | | |
| 1696.62 | 75.6 | 74.5 | -20.94 | -42.6 | -13.0 | -29.6 | | 1.0 | Pass | * |
| 2544.93 | 79.2 | 79.0 | -15.3 | -33.4 | -13.0 | -20.4 | | 1.6 | Pass | * |
| 3393.24 | 53.7 | 52.5 | -9.841 | -53.4 | -13.0 | -40.4 | | 2.2 | Pass | * |
| 4241.55 | 59.1 | 50.5 | -4.952 | -43.1 | -13.0 | -30.1 | | 1.7 | Pass | * |
| 5089.86 | 50.3 | 50.3 | -1.571 | -48.5 | -13.0 | -35.5 | | | Pass | NF |
| 5938.17 | 49.8 | 49.8 | -0.771 | -48.2 | -13.0 | -35.2 | | | Pass | NF |
| 6786.48 | 48.3 | 48.3 | 0.6822 | -48.3 | -13.0 | -35.3 | | | Pass | NF |
| 7634.79 | 47.7 | 47.7 | 4.5067 | -45.1 | -13.0 | -32.1 | | | Pass | NF |
| 8483.10 | 47.4 | 47.4 | 5.5678 | -44.3 | -13.0 | -31.3 | | | Pass | NF |
| 9331.41 | 46.9 | 46.9 | 9.7989 | -40.6 | -13.0 | -27.6 | | | Pass | NF |

* = Signal Measured NF = Noise Floor, no signal observed, even at lower RBW.

| DATE | DOCUMENT NAME | DOCUMENT # | PAGE |
|------------------|--|---------------------------|----------|
| January 25, 2006 | Kyocera Wireless Corp. KX21-2X0 FCC Part 22/24 Test Report | 2006 01032 KX21-2X0 22/24 | 17 of 28 |

Radiated Emissions Data

Job # : 26-032-KYO Test # : 4
Page 1 of 1

Client Name : Kyocera-Wireless
 EUT Name : Cellular Phone
 EUT Model # : KX21-2X0
 EUT Serial # : AUDX----1CY7XR
 EUT Config. : CDMA TX Harmonics
Closed
 Specification : FCC Part 22 Reference : _____
 Rod. Ant. # : _____ Temp. (°C) : 19 Date : 01/24/06
 Bicon Ant.# : _____ Humidity (%) : 17 Staff : Mike Krumweide
 Log Ant.# : _____ EUT Voltage : NA Peak Bandwidth: 1 MHz
 DRG Ant. # 529 EUT Frequency : NA Video Bandwidth 1 MHz
 Dipole Ant.# : _____ Phase: NA
 Cable# : 40ft Location: RN # 329550-01
 Preamp# : 842 Distance: 3m
 Spec An.# : 835 ERP conversion factor 7

| Meas. Freq. (MHz) | Vertical (dBuV) pk | Horizontal (dBuV) pk | CF (db) | Max Level (dBm) pk | Spec. Limit (ERP) (dBm) pk | Margin dB pk | EUT Rotation | Ant. Height | Pass Fail Unc. | Comment |
|-------------------|--------------------|----------------------|---------|--------------------|----------------------------|--------------|--------------|-------------|----------------|---------|
| Maximum of 3 Axes | | | | | | | | | | |
| 1649.40 | 75.3 | 74.0 | -20.94 | -42.9 | -13.0 | -29.9 | | 1.0 | Pass | * |
| 2474.10 | 75.7 | 69.7 | -16.2 | -37.8 | -13.0 | -24.8 | | 1.5 | Pass | * |
| 3298.80 | 51.8 | 52.4 | -9.841 | -54.7 | -13.0 | -41.7 | | 1.3 | Pass | * |
| 4123.50 | 47.2 | 48.0 | -4.952 | -54.2 | -13.0 | -41.2 | | 1.2 | Pass | * |
| 4948.20 | 50.5 | 50.5 | -5.352 | -52.1 | -13.0 | -39.1 | | | Pass | NF |
| 5772.90 | 50.6 | 50.6 | -0.771 | -47.4 | -13.0 | -34.4 | | | Pass | NF |
| 6597.60 | 50.7 | 50.7 | 0.6822 | -45.9 | -13.0 | -32.9 | | | Pass | NF |
| 7422.30 | 50.2 | 50.2 | 3.3067 | -43.8 | -13.0 | -30.8 | | | Pass | NF |
| 8247.00 | 49 | 49 | 5.5678 | -42.7 | -13.0 | -29.7 | | | Pass | NF |
| 9071.70 | 47.2 | 47.2 | 9.7989 | -40.3 | -13.0 | -27.3 | | | Pass | NF |
| 1672.98 | 76.2 | 74.8 | -20.94 | -42.0 | -13.0 | -29.0 | | 1.1 | Pass | * |
| 2509.47 | 75.5 | 65.7 | -15.3 | -37.1 | -13.0 | -24.1 | | 1.3 | Pass | * |
| 3345.96 | 51.0 | 51.0 | -9.841 | -56.1 | -13.0 | -43.1 | | | Pass | NF |
| 4182.45 | 50.5 | 50.5 | -4.952 | -51.7 | -13.0 | -38.7 | | | Pass | NF |
| 5018.94 | 50.0 | 50.0 | -1.571 | -48.8 | -13.0 | -35.8 | | | Pass | NF |
| 5855.43 | 50.8 | 50.8 | -0.771 | -47.2 | -13.0 | -34.2 | | | Pass | NF |
| 6691.92 | 49.5 | 49.5 | 0.6822 | -47.1 | -13.0 | -34.1 | | | Pass | NF |
| 7528.41 | 49.7 | 49.7 | 4.5067 | -43.1 | -13.0 | -30.1 | | | Pass | NF |
| 8364.90 | 47.9 | 47.9 | 5.5678 | -43.8 | -13.0 | -30.8 | | | Pass | NF |
| 9201.39 | 46.2 | 46.2 | 9.7989 | -41.3 | -13.0 | -28.3 | | | Pass | |
| 1696.62 | 72.5 | 72.4 | -20.94 | -45.7 | -13.0 | -32.7 | | 1.1 | Pass | * |
| 2544.93 | 77.2 | 70.7 | -15.3 | -35.4 | -13.0 | -22.4 | | 1.2 | Pass | * |
| 3393.24 | 52.5 | 52.7 | -9.841 | -54.4 | -13.0 | -41.4 | | 1.2 | Pass | * |
| 4241.55 | 50.3 | 50.3 | -4.952 | -51.9 | -13.0 | -38.9 | | | Pass | NF |
| 5089.86 | 50.3 | 50.3 | -1.571 | -48.5 | -13.0 | -35.5 | | | Pass | NF |
| 5938.17 | 49.8 | 49.8 | -0.771 | -48.2 | -13.0 | -35.2 | | | Pass | NF |
| 6786.48 | 48.3 | 48.3 | 0.6822 | -48.3 | -13.0 | -35.3 | | | Pass | NF |
| 7634.79 | 47.7 | 47.7 | 4.5067 | -45.1 | -13.0 | -32.1 | | | Pass | NF |
| 8483.10 | 47.4 | 47.4 | 5.5678 | -44.3 | -13.0 | -31.3 | | | Pass | NF |
| 9331.41 | 46.9 | 46.9 | 9.7989 | -40.6 | -13.0 | -27.6 | | | Pass | |

* = Signal Measured NF = Noise Floor, no signal observed, even at lower RBW.

| | | | |
|------------------------|--|---|-------------|
| Nemko USA, Inc. | | 11696 Sorrento Valley Road, Suite F, San Diego, CA 92121 Phone (858) 755-5525 Fax (858) 452-1810 | |
| DATE | DOCUMENT NAME | DOCUMENT # | PAGE |
| January 25, 2006 | Kyocera Wireless Corp. KX21-2X0 FCC Part 22/24 Test Report | 2006 01032 KX21-2X0 22/24 | 18 of 28 |

Radiated Emissions Data

Job #: 26-032-KYO Test #: 5
Page 1 of 1

Client Name : Kyocera-Wireless
EUT Name : Cellular Phone
EUT Model # : KX21-2X0
EUT Serial # : AUDX----1CY7XR
EUT Config. : PCS TX Harmonics
Open
Specification : FCC Part 24 Reference : _____
Rod. Ant. # : _____ Temp. (°C) : 19 Date : 01/24/06
Bicon Ant.# : _____ Humidity (%) : 17 Staff : Mike Krumweide
Log Ant.# : _____ EUT Voltage : NA Peak Bandwidth: 1 MHz
DRG Ant. # : 529 EUT Frequency : NA Video Bandwidth 1 MHz
Dipole Ant.# : _____ Phase: NA
Cable#: 40ft Location: RN # 329550-01
Preamp#: 842 Distance: 3m
Spec An.#: 835 EIRP conversion factor 5.5

| Meas. Freq. (MHz) | Vertical (dBuV) pk | Horizontal (dBuV) pk | CF (db) | Max Level (dBm) pk | Spec. Limit (ERIP) (dBm) pk | Margin dB pk | EUT Rotation | Ant. Height | Pass Fail Unc. | Comment |
|-------------------|--------------------|----------------------|---------|--------------------|-----------------------------|--------------|--------------|-------------|----------------|-------------------|
| | | | | | | | | | | Maximum of 3 Axes |
| 3702.50 | 61.2 | 61.2 | -8.4 | -42.5 | -13.0 | -29.5 | | 1.4 | Pass | * |
| 5553.75 | 65.8 | 63.9 | -0.8 | -30.2 | -13.0 | -17.2 | | 1.2 | Pass | * |
| 7405.00 | 50.2 | 50.2 | 3.3 | -41.8 | -13.0 | -28.8 | | | Pass | NF |
| 9256.25 | 46.9 | 46.9 | 9.8 | -38.6 | -13.0 | -25.6 | | | Pass | NF |
| 11107.50 | 45.4 | 45.4 | 14.6 | -35.3 | -13.0 | -22.3 | | | Pass | NF |
| 12958.75 | 44.1 | 44.1 | 16.0 | -35.1 | -13.0 | -22.1 | | | Pass | NF |
| 14810.00 | 41 | 41 | 21.2 | -33.1 | -13.0 | -20.1 | | | Pass | NF 500kHz RBW |
| 16661.25 | 36.4 | 36.4 | 22.4 | -36.5 | -13.0 | -23.5 | | | Pass | NF 500kHz RBW |
| 18512.50 | 22.6 | 22.6 | 37.8 | -34.8 | -13.0 | -21.8 | | | Pass | NF 30kHz RBW |
| 20363.75 | 19.2 | 19.2 | 38.5 | -39.5 | -13.0 | -26.5 | | | Pass | NF 30kHz RBW |
| 3760.00 | 58.4 | 59.3 | -8.4 | -44.4 | -13.0 | -31.4 | | 2.2 | Pass | * |
| 5640.00 | 66.1 | 65.3 | -0.8 | -29.9 | -13.0 | -16.9 | | 1.0 | Pass | * |
| 7520.00 | 49.6 | 49.6 | 4.5 | -41.2 | -13.0 | -28.2 | | | Pass | NF |
| 9400.00 | 46.5 | 46.5 | 9.8 | -39.0 | -13.0 | -26.0 | | | Pass | NF |
| 11280.00 | 45.3 | 45.3 | 14.6 | -35.4 | -13.0 | -22.4 | | | Pass | NF |
| 13160.00 | 40.1 | 40.4 | 18.5 | -36.4 | -13.0 | -23.4 | | | Pass | NF 500kHz RBW |
| 15040.00 | 39.9 | 39.9 | 20.4 | -34.9 | -13.0 | -21.9 | | | Pass | NF 500kHz RBW |
| 16920.00 | 37.5 | 37.5 | 22.4 | -35.4 | -13.0 | -22.4 | | | Pass | NF 500kHz RBW |
| 18800.00 | 22.4 | 22.4 | 37.9 | -34.9 | -13.0 | -21.9 | | | Pass | NF 30kHz RBW |
| 20690 | 19 | 19 | 38.6 | -39.6 | -13.0 | -26.6 | | | Pass | NF 30kHz RBW |
| 3817.50 | 58.7 | 62.6 | -8.4 | -41.1 | -13.0 | -28.1 | | 2.3 | Pass | * |
| 5726.25 | 51.5 | 56.3 | -0.8 | -39.7 | -13.0 | -26.7 | | 1.0 | Pass | * |
| 7635.00 | 47.7 | 47.7 | 4.5 | -43.1 | -13.0 | -30.1 | | | Pass | NF |
| 9543.75 | 46.4 | 46.4 | 9.5 | -39.4 | -13.0 | -26.4 | | | Pass | NF |
| 11452.50 | 46.3 | 46.3 | 14.6 | -34.4 | -13.0 | -21.4 | | | Pass | NF |
| 13361.25 | 42.2 | 42.2 | 18.5 | -34.6 | -13.0 | -21.6 | | | Pass | NF 500kHz RBW |
| 15270.00 | 36.9 | 36.9 | 20.4 | -37.9 | -13.0 | -24.9 | | | Pass | NF 500kHz RBW |
| 17178.75 | 26.5 | 26.5 | 29.9 | -38.9 | -13.0 | -25.9 | | | Pass | NF 100kHz RBW |
| 19087.50 | 20.7 | 20.7 | 38.0 | -36.5 | -13.0 | -23.5 | | | Pass | NF 30kHz RBW |
| 20996.25 | 18.8 | 18.8 | 39.1 | -37.3 | -13.0 | -24.3 | | | Pass | NF 30kHz RBW |

* = Signal Measured NF = Noise Floor, no signal observed, even at lower RBW.

| DATE | DOCUMENT NAME | DOCUMENT # | PAGE |
|------------------|--|---------------------------|----------|
| January 25, 2006 | Kyocera Wireless Corp. KX21-2X0 FCC Part 22/24 Test Report | 2006 01032 KX21-2X0 22/24 | 19 of 28 |

Radiated Emissions Data

Job # : 26-032-KYO Test # : 6
Page 1 of 1

| | | | |
|-----------------|------------------|--------------------------|----------------|
| Client Name : | Kyocera-Wireless | | |
| EUT Name : | Cellular Phone | | |
| EUT Model # : | KX21-2X0 | | |
| EUT Serial # : | AUDX----1CY7XR | | |
| EUT Config. : | PCS TX Harmonics | | |
| | Closed | | |
| Specification : | FCC Part 24 | | Reference : |
| Rod. Ant. # : | | Temp. (°C) : | 19 |
| Bicon Ant.# : | | Humidity (%) : | 17 |
| Log Ant.# : | | EUT Voltage : | NA |
| DRG Ant. # : | 529 | EUT Frequency : | NA |
| Dipole Ant.# : | | Phase : | NA |
| Cable# : | 40ft | Location : | RN # 329550-01 |
| Preamp# : | 842 | Distance : | 3m |
| Spec An.# : | 835 | EIRP conversion factor : | 5.5 |
| | | Date : | 01/24/06 |
| | | Staff : | Mike Krumweide |
| | | Peak Bandwidth : | 1 MHz |
| | | Video Bandwidth : | 1 MHz |

| Meas. Freq. (MHz) | Vertical (dBuV) pk | Horizontal (dBuV) pk | CF (db) | Max Level (dBm) pk | Spec. Limit (ERIP) (dBm) pk | Margin dB pk | EUT Rotation | Ant. Height | Pass Fail Unc. | Comment |
|-------------------|--------------------|----------------------|---------|--------------------|-----------------------------|--------------|--------------|-------------|----------------|-------------------|
| | | | | | | | | | | Maximum of 3 Axes |
| 3702.50 | 58.9 | 60.3 | -8.4 | -43.4 | -13.0 | -30.4 | | 2.3 | Pass | * |
| 5553.75 | 53.8 | 57.4 | -0.8 | -38.6 | -13.0 | -25.6 | | 1.5 | Pass | * |
| 7405.00 | 50.2 | 50.2 | 3.3 | -41.8 | -13.0 | -28.8 | | | Pass | NF |
| 9256.25 | 46.9 | 46.9 | 9.8 | -38.6 | -13.0 | -25.6 | | | Pass | NF |
| 11107.50 | 45.4 | 45.4 | 14.6 | -35.3 | -13.0 | -22.3 | | | Pass | NF |
| 12958.75 | 44.1 | 44.1 | 16.0 | -35.1 | -13.0 | -22.1 | | | Pass | NF |
| 14810.00 | 41 | 41 | 21.2 | -33.1 | -13.0 | -20.1 | | | Pass | NF 500kHz RBW |
| 16661.25 | 36.4 | 36.4 | 22.4 | -36.5 | -13.0 | -23.5 | | | Pass | NF 500kHz RBW |
| 18512.50 | 22.6 | 22.6 | 37.8 | -34.8 | -13.0 | -21.8 | | | Pass | NF 30kHz RBW |
| 20363.75 | 19.2 | 19.2 | 38.5 | -39.5 | -13.0 | -26.5 | | | Pass | NF 30kHz RBW |
| 3760.00 | 58.3 | 59.7 | -8.4 | -44.0 | -13.0 | -31.0 | | 1.2 | Pass | * |
| 5640.00 | 52.5 | 52.6 | -0.8 | -43.4 | -13.0 | -30.4 | | 1.1 | Pass | * |
| 7520.00 | 49.6 | 49.6 | 4.5 | -41.2 | -13.0 | -28.2 | | | Pass | NF |
| 9400.00 | 46.5 | 46.5 | 9.8 | -39.0 | -13.0 | -26.0 | | | Pass | NF |
| 11280.00 | 45.3 | 45.3 | 14.6 | -35.4 | -13.0 | -22.4 | | | Pass | NF |
| 13160.00 | 40.1 | 40.1 | 18.5 | -36.7 | -13.0 | -23.7 | | | Pass | NF 500kHz RBW |
| 15040.00 | 39.9 | 39.9 | 20.4 | -34.9 | -13.0 | -21.9 | | | Pass | NF 500kHz RBW |
| 16920.00 | 37.5 | 37.5 | 22.4 | -35.4 | -13.0 | -22.4 | | | Pass | NF 500kHz RBW |
| 18800.00 | 22.4 | 22.4 | 37.9 | -34.9 | -13.0 | -21.9 | | | Pass | NF 30kHz RBW |
| 20690 | 19 | 19 | 38.6 | -39.6 | -13.0 | -26.6 | | | Pass | NF 30kHz RBW |
| 3817.50 | 60.0 | 62.4 | -8.4 | -41.3 | -13.0 | -28.3 | | 2.1 | Pass | * |
| 5726.25 | 52.7 | 54.7 | -0.8 | -41.3 | -13.0 | -28.3 | | 1.1 | Pass | * |
| 7635.00 | 47.7 | 47.7 | 4.5 | -43.1 | -13.0 | -30.1 | | | Pass | NF |
| 9543.75 | 46.4 | 46.4 | 9.5 | -39.4 | -13.0 | -26.4 | | | Pass | NF |
| 11452.50 | 46.3 | 46.3 | 14.6 | -34.4 | -13.0 | -21.4 | | | Pass | NF |
| 13361.25 | 42.2 | 42.2 | 18.5 | -34.6 | -13.0 | -21.6 | | | Pass | NF 500kHz RBW |
| 15270.00 | 36.9 | 36.9 | 20.4 | -37.9 | -13.0 | -24.9 | | | Pass | NF 500kHz RBW |
| 17178.75 | 26.5 | 26.5 | 29.9 | -38.9 | -13.0 | -25.9 | | | Pass | NF 100kHz RBW |
| 19087.50 | 20.7 | 20.7 | 38.0 | -36.5 | -13.0 | -23.5 | | | Pass | NF 30kHz RBW |
| 20996.25 | 18.8 | 18.8 | 39.1 | -37.3 | -13.0 | -24.3 | | | Pass | NF 30kHz RBW |

* = Signal Measured NF = Noise Floor, no signal observed, even at lower RBW.

| | | | |
|------------------------|--|---|----------|
| Nemko USA, Inc. | | 11696 Sorrento Valley Road, Suite F, San Diego, CA 92121 Phone (858) 755-5525 Fax (858) 452-1810 | |
| DATE | DOCUMENT NAME | DOCUMENT # | PAGE |
| January 25, 2006 | Kyocera Wireless Corp. KX21-2X0 FCC Part 22/24 Test Report | 2006 01032 KX21-2X0 22/24 | 20 of 28 |

2.2 Substitution Method Test Data

Substitution Method For Radiated Emissions

| | | | | | |
|-----------------|--------------------------------|------------------|----------------------|-----------------|---------------------------|
| Complete | <u>Yes</u> | Job # : | <u>26-032-KYO</u> | Test # : | <u>1</u> |
| Preliminary | <u> </u> | Page | <u>1</u> | of | <u>1</u> |
| Client Name : | <u>KYOCERA WIRELESS Corp.</u> | | | | |
| EUT Name : | <u>Tri-Mode Cellular Phone</u> | | | | |
| EUT Model # : | <u>KX21-2X0</u> | | | | |
| EUT Part # : | <u> </u> | | | | |
| EUT Serial # : | <u>AUDX----1CY7XR</u> | | | | |
| EUT Config. : | <u>Substitution Method</u> | | | | |
| Specification : | <u>FCC Part 22 and 24</u> | | Reference : | | |
| Rod. Ant. #: | <u> </u> | Temp. (deg. C) : | <u>18</u> | Date : | <u>1/24/2006</u> |
| Bicon Ant.#: | <u> </u> | Humidity (%) : | <u>73</u> | Time : | <u> </u> |
| Log Ant.#: | <u> </u> | EUT Voltage : | <u>NA</u> | Staff : | <u>M. Krumweide</u> |
| DRG Ant. # | <u>529</u> | EUT Frequency : | <u>NA</u> | Photo ID: | <u> </u> |
| Dipole Ant.#: | <u>NA</u> | Phase: | <u>NA</u> | Peak Bandwidth: | <u>RBW-1MHz, VBW-1MHz</u> |
| Cable#: | <u>40ft</u> | Location: | <u>RN# 329550-01</u> | | |
| Preamp#: | <u>842</u> | Distance: | <u>3m</u> | | |
| Spec An.#: | <u>NA</u> | | | | |
| QP #: | <u>NA</u> | | | | |
| PreSelect#: | <u>NA</u> | | | | |

Part 22 Substitution

| Target Frequency mHz | Level dBuV/m | Horn Gain dBi | Cable loss dB | Signal Generator dBm | Total dBm | Spec dBm | Margin dBm | |
|-------------------------|-----------------|------------------|------------------|-------------------------|--------------|-------------|---------------|-------|
| 2474.1 | 83.3 | 8.81 | 4.6 | -41.4 | -37.19 | -13 | -24.2 | 1 MHz |
| 2509.47 | 83.9 | 8.88 | 4.7 | -38.8 | -34.62 | -13 | -21.6 | 1 MHz |

Part 24 Substitution

| Target Frequency mHz | Level dBuV/m | Horn Gain dBi | Cable loss dB | Signal Generator dBm | Total dBm | Spec dBm | Margin dBm | |
|-------------------------|-----------------|------------------|------------------|-------------------------|--------------|-------------|---------------|-------|
| 5553.75 | 65.8 | 9.27 | 8.7 | -36.50 | -35.93 | -13 | -22.9 | 1 MHz |
| 5640.00 | 66.1 | 9.29 | 9.1 | -37.50 | -37.31 | -13 | -24.3 | 1 MHz |

| | | | |
|------------------------|--|---|-------------|
| Nemko USA, Inc. | | 11696 Sorrento Valley Road, Suite F, San Diego, CA 92121 Phone (858) 755-5525 Fax (858) 452-1810 | |
| DATE | DOCUMENT NAME | DOCUMENT # | PAGE |
| January 25, 2006 | Kyocera Wireless Corp. KX21-2X0 FCC Part 22/24 Test Report | 2006 01032 KX21-2X0 22/24 | 21 of 28 |

RADIATED EMISSIONS AND SUBSTITUTION METHOD

TEST EQUIPMENT

| | | | | | | |
|--|------------------|----------------|-------------|---|----------------|--|
| Client | Kyocera-Wireless | | EUT Name | Tri-Mode Cellular Phone with Bluetooth capabilities | | |
| PAN # | 26-032-KYO | | EUT Model | KX21-2X0 | | |
| <i>Device Type</i> | <i>Model #</i> | <i>Asset #</i> | <i>Used</i> | <i>Cal Done</i> | <i>Cal Due</i> | |
| <i>Pre-Amplifier</i> | | | | | | |
| High-Frequency | Nemko | 842 | X | 5/19/05 | 5/19/06 | |
| <i>Antenna</i> | | | | | | |
| Antenna, Ridged Guide | 3115 | 877 | X | 4/19/05 | 4/19/06 | |
| Antenna, Ridged Guide | 3115 | 529 | X | 4/13/05 | 4/13/06 | |
| <i>Spectrum Analyzer / Receiver</i> | | | | | | |
| Spectrum Analyzer, R&S | RHDFSEK | 835 | X | 1/18/06 | 1/18/07 | |
| Signal Generator, Gigatronics | 1018 | 440 | X | 12/9/05 | 12/9/06 | |

| | | | |
|------------------------|--|---|----------|
| <i>Nemko USA, Inc.</i> | | 11696 Sorrento Valley Road, Suite F, San Diego, CA 92121 Phone (858) 755-5525 Fax (858) 452-1810 | |
| DATE | DOCUMENT NAME | DOCUMENT # | PAGE |
| January 25, 2006 | Kyocera Wireless Corp. KX21-2X0 FCC Part 22/24 Test Report | 2006 01032 KX21-2X0 22/24 | 22 of 28 |

Photograph 2. FCC, Part 22/24 Radiated Emissions Test Configuration

EUT IN "VERTICAL" POSITION CLOSED and OPEN



| | | | |
|------------------------|--|---|----------|
| <i>Nemko USA, Inc.</i> | | 11696 Sorrento Valley Road, Suite F, San Diego, CA 92121 Phone (858) 755-5525 Fax (858) 452-1810 | |
| DATE | DOCUMENT NAME | DOCUMENT # | PAGE |
| January 25, 2006 | Kyocera Wireless Corp. KX21-2X0 FCC Part 22/24 Test Report | 2006 01032 KX21-2X0 22/24 | 23 of 28 |

Photograph 3. FCC, Part 22/24 Radiated Emissions Test Configuration

EUT IN "ON-SIDE" POSITION CLOSED and OPEN



| | | | |
|------------------------|--|---|----------|
| <i>Nemko USA, Inc.</i> | | 11696 Sorrento Valley Road, Suite F, San Diego, CA 92121 Phone (858) 755-5525 Fax (858) 452-1810 | |
| DATE | DOCUMENT NAME | DOCUMENT # | PAGE |
| January 25, 2006 | Kyocera Wireless Corp. KX21-2X0 FCC Part 22/24 Test Report | 2006 01032 KX21-2X0 22/24 | 24 of 28 |

Photograph 4. FCC, Part 22/24 Radiated Emissions Test Configuration

EUT IN "FACE-UP" POSITION CLOSED and OPEN



| | | | |
|------------------------|--|---|-------------|
| Nemko USA, Inc. | | 11696 Sorrento Valley Road, Suite F, San Diego, CA 92121 Phone (858) 755-5525 Fax (858) 452-1810 | |
| DATE | DOCUMENT NAME | DOCUMENT # | PAGE |
| January 25, 2006 | Kyocera Wireless Corp. KX21-2X0 FCC Part 22/24 Test Report | 2006 01032 KX21-2X0 22/24 | 25 of 28 |

APPENDIX A

A. Radiated Emissions Measurement Uncertainties

1. Introduction

ISO/IEC 17025:1999 and ANSI/NCSL Z540-1-1994 require that all measurements contained in a test report be “traceable”. “Traceability” is defined in the *International Vocabulary of Basic and General Terms in Metrology* (ISO: 1993) as: “the property of the result of a measurement... whereby it can be related to stated references, usually national or international standards, through an unbroken chain of comparisons, *all having stated uncertainties*”.

The purposes of this Appendix are to “state the *Measurement Uncertainties*” of the conducted emissions and radiated emissions measurements contained in Section 5 of this Test Report, and to provide a practical explanation of the meaning of these measurement uncertainties.

2. Statement of the Worst-Case Measurement Uncertainties for the Conducted and Radiated Emissions Measurements Contained in This Test Report

Table 1: Worst-Case Expanded Uncertainty "U" of Measurement for a k=2 Coverage Factor

| Radiated Emissions Measurement Detection Systems | Applicable Frequency Range | "U" for a k=2 Coverage Factor |
|--|-----------------------------------|--------------------------------------|
| HP8568B Spectrum Analyzer with QPA & HP8447F Preamplifier | 30 MHz - 200 MHz | +4.0 dB, -4.1 dB |
| HP8568B Spectrum Analyzer with QPA & HP8447F Preamplifier | 200 MHz-1000 MHz | +/- 3.5 dB |
| HP8566B Spectrum Analyzer with QPA & Preselector | 30 MHz - 200 MHz | +3.9 dB, -4.0 dB |
| HP8566B Spectrum Analyzer with QPA & Preselector | 200 MHz-1000 MHz | +/- 3.4 dB |
| HP8566B Spectrum Analyzer with QPA & HP 8449A Preamplifier | 1 GHz - 18 GHz | +2.5 dB, -2.6 dB |
| HP8566B Spectrum Analyzer with QPA & HP8449A Preamplifier | 18 GHz - 40 GHz | +/- 3.4 dB |

NOTES:

1. Applies to 3 and 10 meter measurement distances
2. Applies to all valid combinations of Transducers (i.e. LISNs, Line Voltage Probes, and Antennas, as appropriate)
3. Excludes the Repeatability of the EUT

| | | | |
|------------------------|--|---|-------------|
| Nemko USA, Inc. | | 11696 Sorrento Valley Road, Suite F, San Diego, CA 92121 Phone (858) 755-5525 Fax (858) 452-1810 | |
| DATE | DOCUMENT NAME | DOCUMENT # | PAGE |
| January 25, 2006 | Kyocera Wireless Corp. KX21-2X0 FCC Part 22/24 Test Report | 2006 01032 KX21-2X0 22/24 | 26 of 28 |

3. Practical Explanation of the Meaning of Radiated Emissions Measurement Uncertainties

In general, a “Statement of Measurement Uncertainty” means that with a certain (specified) confidence level, the “true” value of a measurand will be between a (stated) upper bound and a (stated) lower bound.

In the specific case of EMC Measurements in this test report, the measurement uncertainties of the conducted emissions measurements and the radiated emissions measurements have been calculated in accordance with the method detailed in the following documents:

- *ANSI Z540.2 (2002) Guide to the Expression of Uncertainty in Measurement*
- NIS 81:1994, *The Treatment of Uncertainty in EMC Measurements* (NAMAS, 1994)
- NIST Technical Note 1297(1994), *Guidelines for Evaluating and Expressing the Uncertainty of NIST Measurement Results* (NIST, 1994)

The calculation method used in these documents requires that the stated uncertainty of the measurements be expressed as an “expanded uncertainty”, U , with a $k=2$ coverage factor. The practical interpretation of this method of expressing measurement uncertainty is shown in the following example:

EXAMPLE: Assume that at 39.51 MHz, the (measured) radiated emissions level was equal to +26.5 dBuV/m, and that the +/- 2 standard deviations (i.e. 95% confidence level) measurement uncertainty was +/- 3.4 dB.

In the example above, the phrase “ $k = 2$ Coverage Factor” simply means that the measurement uncertainty is stated to cover +/- 2 standard deviations (i.e. a 95% confidence interval) about the measurand. The measurand is the radiated emissions measurement of +26.5 dBuV/m at 39.51 MHz, and the 95% bounds for the uncertainty are -3.4 dB to + 3.4 dB. One can thus be 95% confident that the “true” value of the radiated emissions measurement is between +23.1 dBuV/m and +29.5 dBuV/m. *In effect, this means that in the above example there is only a 2.5% chance that the “true” radiated emissions value exceeds +29.5 dBuV/m.*

| | | | |
|------------------------|--|---|-------------|
| Nemko USA, Inc. | | 11696 Sorrento Valley Road, Suite F, San Diego, CA 92121 Phone (858) 755-5525 Fax (858) 452-1810 | |
| DATE | DOCUMENT NAME | DOCUMENT # | PAGE |
| January 25, 2006 | Kyocera Wireless Corp. KX21-2X0 FCC Part 22/24 Test Report | 2006 01032 KX21-2X0 22/24 | 27 of 28 |

APPENDIX B

B. Nemko USA, Inc.'s Test Equipment & Facilities Calibration Program

Nemko USA, Inc. operates a comprehensive Periodic Calibration Program in order to ensure the validity of all test data. Nemko USA's Periodic Calibration Program is fully compliant to the requirements of NVLAP Policy Guide PG-1-1988, ANSI/NCSL Z540-1-1994, ISO 10012:2003, ISO/IEC 17025:1999, and ISO-9000:2000. Nemko USA, Inc.'s calibrations program therefore meets or exceed the US national commercial and military requirements [N.B. ANSI/NCSL Z540-1-1994 replaces MIL-STD-45662A].

Specifically, all of Nemko USA's *primary reference standard devices* (e.g. vector voltmeters, multimeters, attenuators and terminations, RF power meters and their detector heads, oscilloscope mainframes and plug-ins, spectrum analyzers, RF preselectors, quasi-peak adapters, interference analyzers, impulse generators, signal generators and pulse/function generators, field-strength meters and their detector heads, etc.) and certain *secondary standard devices* (e.g. RF Preamplifiers used in CISPR 11/22 and FCC Part 15/18 tests) are periodically recalibrated by:

- A Nemko USA-approved independent (third party) metrology laboratory that uses NIST-traceable standards and that is ISO Guide 25-accredited as a calibration laboratories by NIST; or,
- A Nemko USA-approved independent (third party) metrology laboratory that uses NIST-traceable standards and that is ISO Guide 25-accredited as a calibration laboratory by another accreditation body (such as A2LA) that is mutually recognized by NIST; or,
- A manufacturer of Measurement and Test Equipment (M&TE), if the manufacturer uses NIST-traceable standards and is ISO Guide 25-accredited as calibration laboratory either by NIST or by another accreditation body (such as A2LA) that is mutually recognized by NIST; or
- A manufacturer of M&TE (or by a Nemko USA-approved independent third party metrology laboratory) that is not ISO Guide 25-accredited. (In these cases, Nemko USA conducts an annual audit of the manufacturer or metrology laboratory for the purposes of proving traceability to NIST, ensuring that adequate and repeatable calibration procedures are being applied, and verifying conformity with the other requirements of ISO Guide 25).

| | | | |
|-------------------------------|--|---|-------------|
| <i>Nemko USA, Inc.</i> | | 11696 Sorrento Valley Road, Suite F, San Diego, CA 92121 Phone (858) 755-5525 Fax (858) 452-1810 | |
| DATE | DOCUMENT NAME | DOCUMENT # | PAGE |
| January 25, 2006 | Kyocera Wireless Corp. KX21-2X0 FCC Part 22/24 Test Report | 2006 01032 KX21-2X0 22/24 | 28 of 28 |

In all cases, the entity performing the Calibration is required to furnish Nemko USA with a calibration test report and/or certificate of calibration, and a “calibration sticker” on each item of M&TE that is successfully calibrated.

Calibration intervals are normally one year, except when the manufacture advises a shorter interval (e.g. the HP 8568B Spectrum Analyzer is recalibrated every six months) or if US Government directives or client requirements demand a shorter interval. Items of instrumentation/related equipment which fail during routine use, or which suffer visible mechanical damage (during use or while in transit), are sidelined pending repair and recalibration. (Repairs are carried out either in-house [if minor] or by a Nemko USA-approved independent [third party] metrology laboratory, or by the manufacturer of the item of M&TE).

Each antenna used for CISPR 11 and CISPR 22 and FCC Part 15 and Part 18 radiated emissions testing (and for testing to the equivalent European Norms) is calibrated annually by either a NIST (or A2LA) ISO Standard 17025-Accredited third-party Antenna Calibration Laboratory or by the antenna’s OEM if the OEM is NIST or A2LA ISO Standard 17025-accredited as an antenna calibration laboratory. The antenna calibrations are performed using the methods specified in Annex G.5 of CISPR 16-1(2003) or ANSI C63.5-2004, including the “Three-Antenna Method”. Certain other kinds of antennas (e.g. magnetic-shielded loop antennas) are calibrated annually by either a NIST (or A2LA) ISO Standard 17025-accredited third-party antenna calibration laboratory, or by the antenna’s OEM if the OEM is NIST or A2LA ISO Standard 17025-accredited as an antenna calibration laboratory using the procedures specified in the latest version of SAE ARP-958.

In accordance with FCC and other regulations, Nemko USA recalibrates its suite of antennas used for radiated emissions tests on an annual basis. These calibrations are performed as a precursor to the FCC-required annual revalidation of the Normalized Site Attenuation properties of Nemko USA’s Open Area Test Site. Nemko USA, Inc. uses the procedures given in both Subclause 16.6 and Annex G.2 of CISPR 16-1 (2003), and, ANSI C63.4-2003 when performing the normalized site attenuation measurements.