

This document was generated in response to a request for additional technical information by Diane Poole in regards to the type approval of the KX1. The information included in related to the 2 specific topics discussed in the following email received by Lin Lu on July 29, 2004:

Date: Thu, 29 Jul 2004 14:44:34 -0400 (EDT)
From: OET Generic account <oetech@fccsun34w.fcc.gov>
To: LLu@kyocera-wireless.com
Subject: FCC Equipment Authorization System
X-BigFish: vpcs-50(zz655IL15b2R128aRec5M1936M122eHzzzzz)

To: Lin Lu, Kyocera Wireless Corp
From: Diane Poole
Diane.Poole@fcc.gov
FCC Application Processing Branch
Re: FCC ID OVFKWC-KX1
Applicant: Kyocera Wireless Corp
Correspondence Reference Number: 27310
731 Confirmation Number: EA912025

Please resubmit page 5 of 17 operational Description. It is not readable.

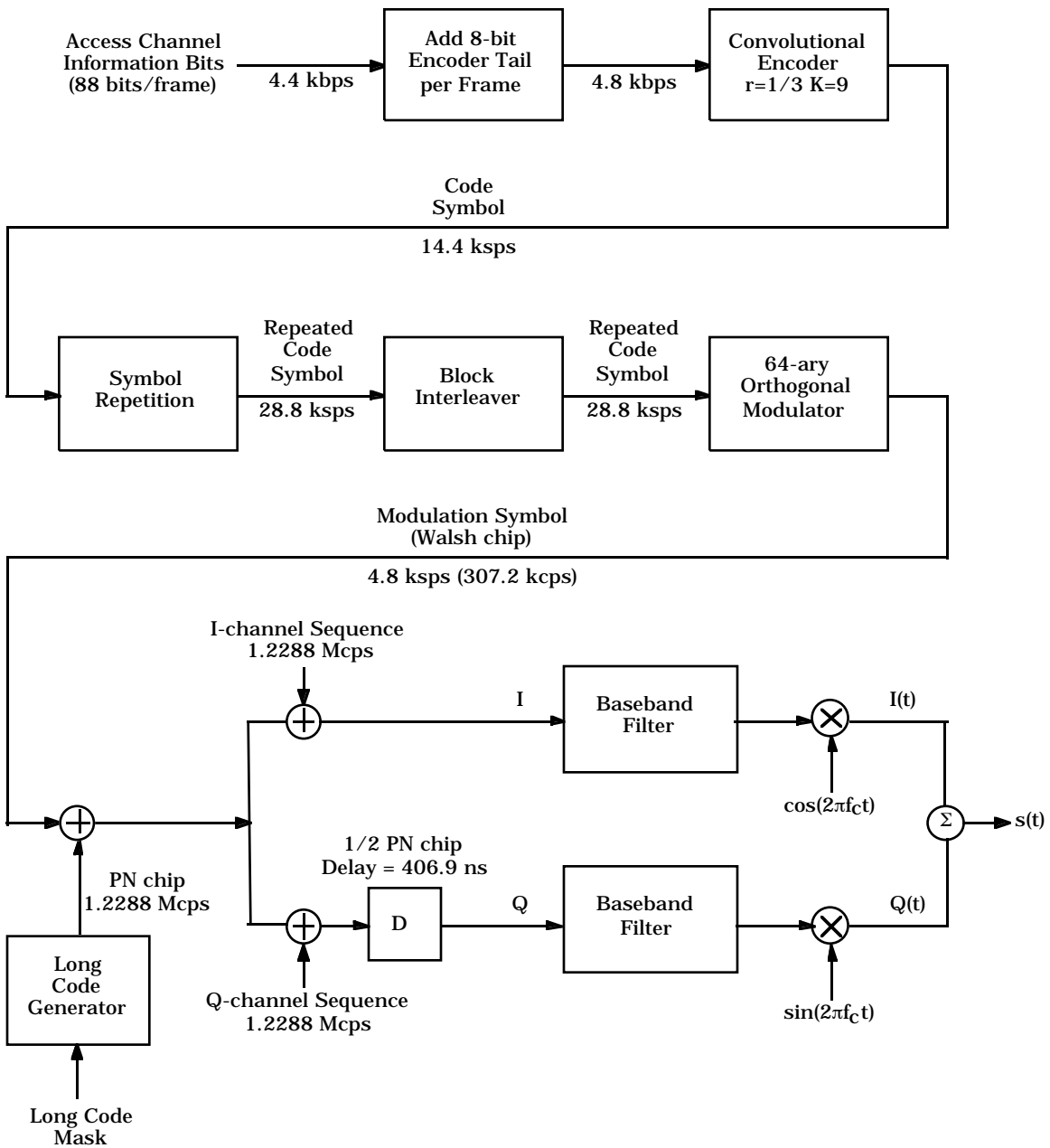
Date: Thu, 29 Jul 2004 16:01:10 -0400 (EDT)
From: OET Generic account <oetech@fccsun34w.fcc.gov>
To: LLu@kyocera-wireless.com
Subject: FCC Equipment Authorization System
X-BigFish: vpcs-50(zz655IL15b2R128aRec5M1936M122eHzzzzz)

To: Lin Lu, Kyocera Wireless Corp
From: Diane Poole
Diane.Poole@fcc.gov
FCC Application Processing Branch
Re: FCC ID OVFKWC-KX1
Applicant: Kyocera Wireless Corp
Correspondence Reference Number: 27312
731 Confirmation Number: EA912025

Is the rule part 22 or 22H? (row 4 of tech spec 824.7-848.31, at .318W with emission Designator 1M25F9W). Please verify.

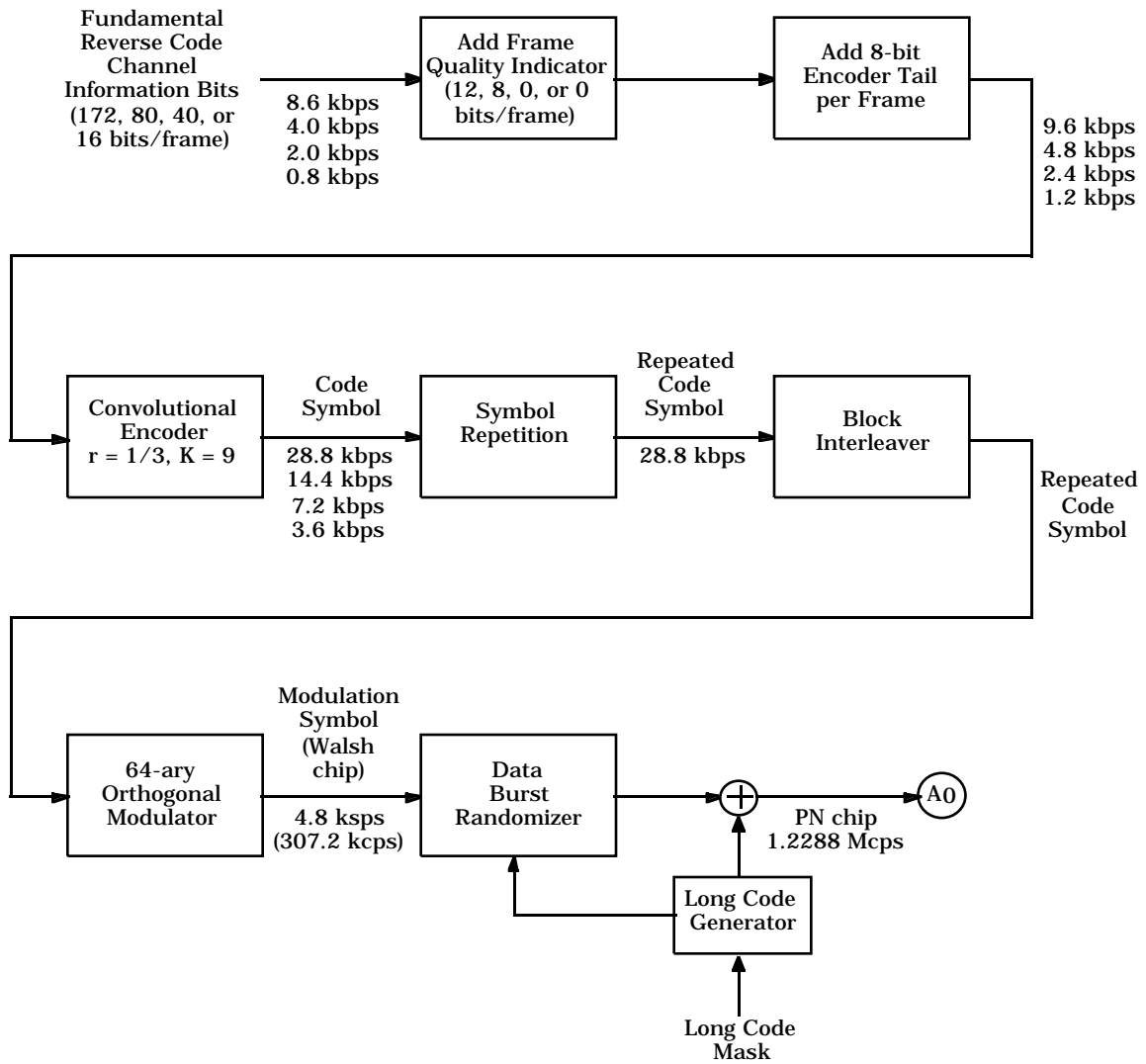
1) Please resubmit page 5 of 17 operational Description. It is not readable

The Figure 6.1.3 1-2 on page 5 was not readable. Here we have updated the Figure 6.1.3 1-2 per the latest version of IS-95B and resubmitted in the following pages.



1
2

Figure 6.1.3.1-2a. Reverse CDMA Channel Structure for the Access Channel



1
2
3

Figure 6.1.3.1-2b. Reverse CDMA Channel Structure for Fundamental Code Channels with Rate Set 1

2) **Is the rule part 22 or 22H? (row 4 of tech spec 824.7-848.31, at .318W with emission Designator 1M25F9W). Please verify.**

Sorry, it was a typo. It should follow in the rule Part 22H – **Cellular Radiotelephone Service.**