

Family Certification Information:

FCC: OV9BSSPZZFP IC: 10245A-BSSPZZFP

The product family contains 3 product variants. All 3 product variant of this family are electrically identical.

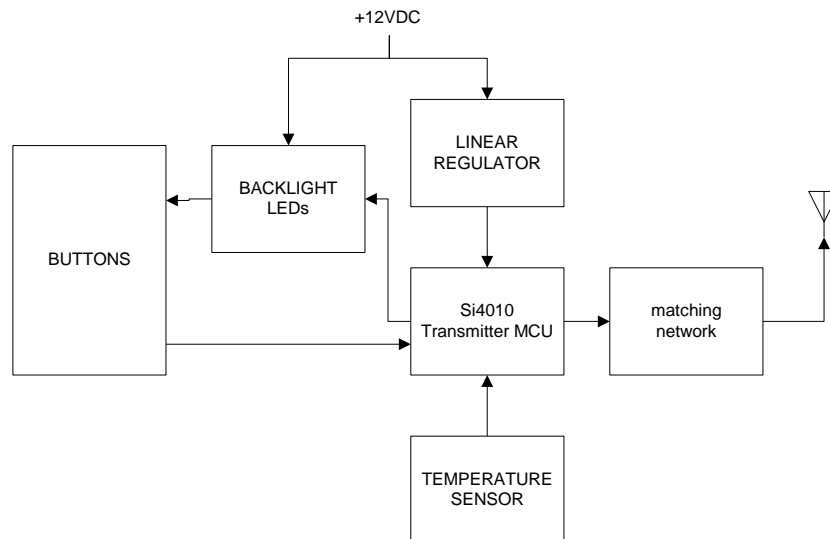
BSSPZZFP2 is the variant with the most functionality. The parts list file name is BSSPZZFP_2_PartList.pdf. The schematic file name is BSSPZZFP_1_2_Schematic.pdf.

BSSPZZFP1 is similar to the BSSPZZFP2, except that it's only populated with 4 buttons and backlight LEDs. This variant share the same functional firmware (FVIN: 12V) then variant above. The component population difference has no impact on the RF circuit, RF modulation or RF power. The parts list file name is BSSPZZFP_1_PartList.pdf. The schematic file name is BSSPZZFP_1_2_Schematic.pdf.

BSSPZZFP4 is the variant with the less functionality. This variant is battery powered via a CR2032 coin cell. The functionality was reduced to save power consumption. The functions removed are the backlight LEDs and obviously the voltage regulator (only required to drop down 12VDC to circuit operation). This variant has its own functional firmware (FVIN: BAT). The firmware and component population difference has no impact on the RF circuit, RF modulation or RF power. The parts list file name is BSSPZZFP_4_PartList.pdf. The schematic file name is BSSPZZFP_4_Schematic.pdf.

There is currently no variant called BSSPZZFP3.

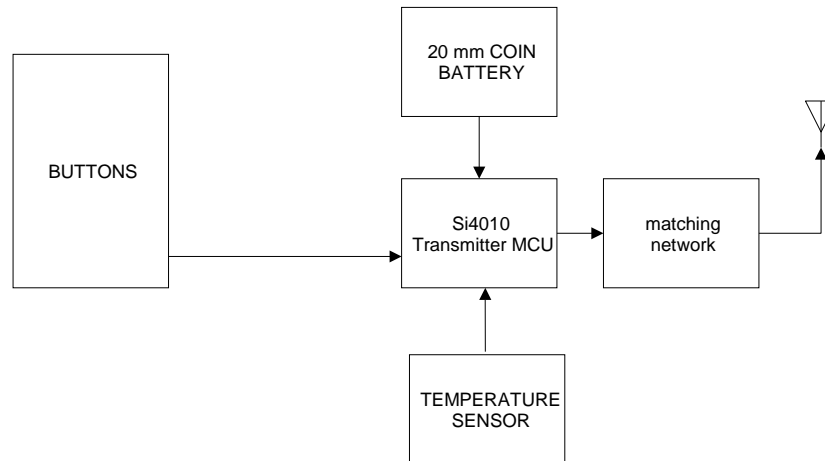
Both **BSSPZZFP1** and **BSSPZZFP2** are represented by the block diagram below:



Family Certification Information:

FCC: OV9BSSPZZFP IC: 10245A-BSSPZZFP

BSSPZZFP4 is represented by the block diagram below:



Marc Rousseau
Authorized applicant
Electronics Test Centre - Airdrie (MPB Technologies Inc.)