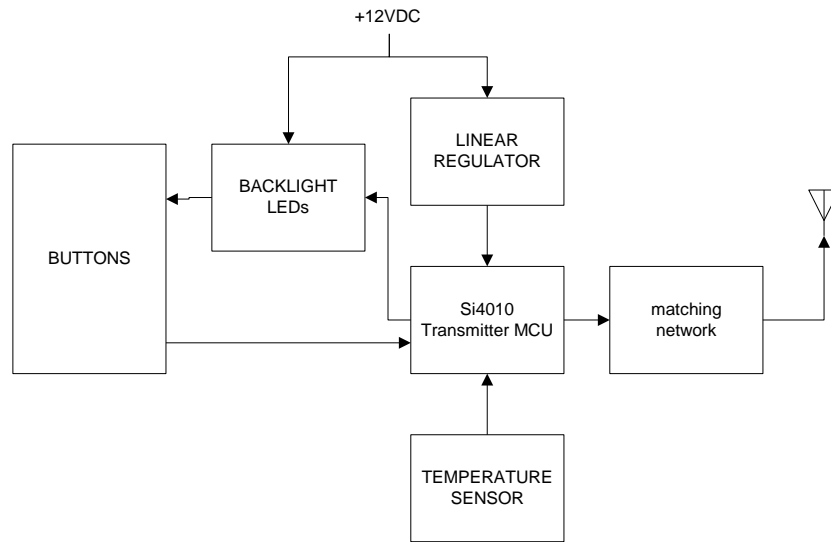


Block Diagram:

FCC: OV9BSSPZZFP IC: 10245A-BSSPZZFP

Both **BSSPZZFP1** and **BSSPZZFP2** are represented by the block diagram below:



BSSPZZFP4 is represented by the block diagram below:

