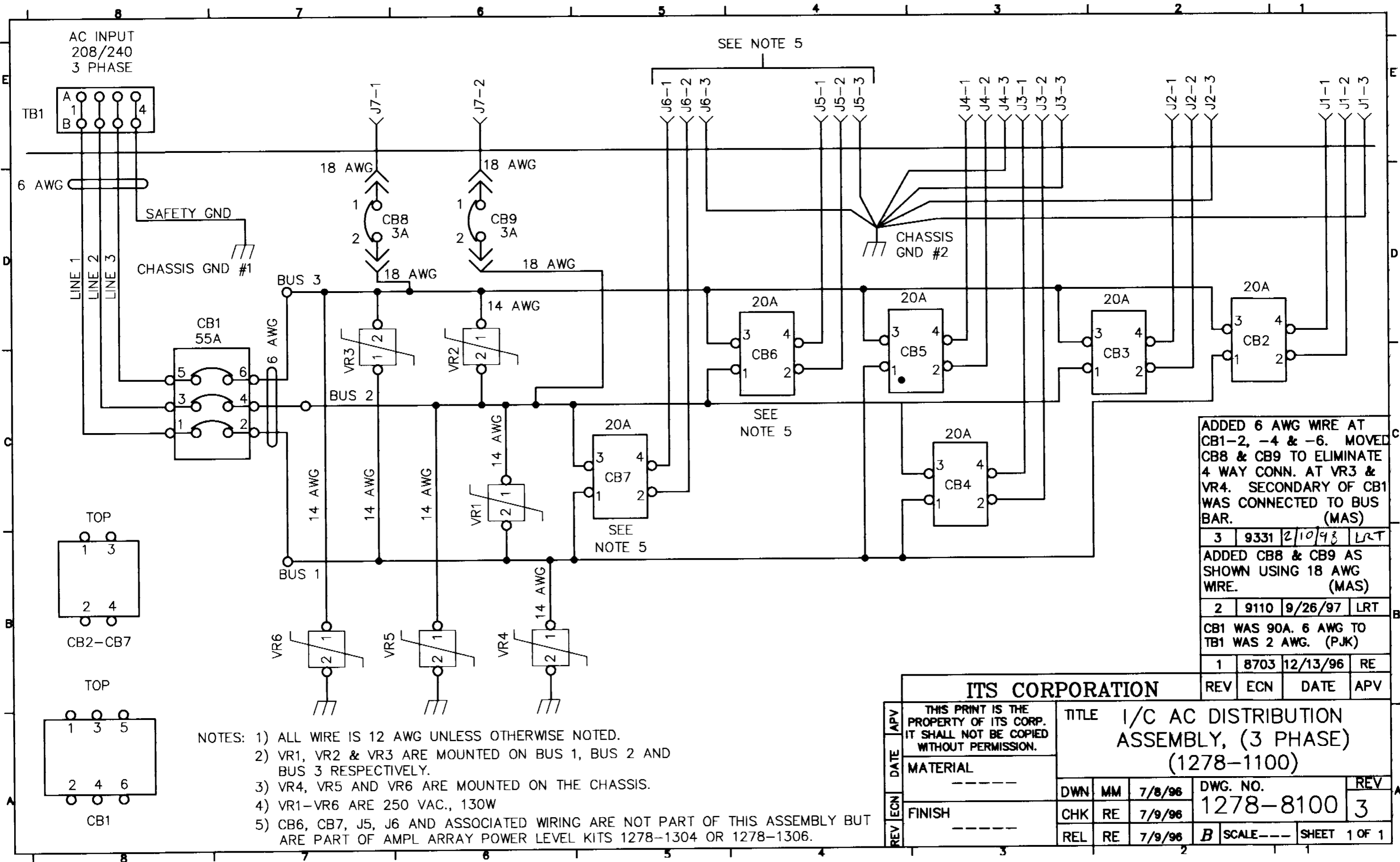


Sat Feb 07 12:20:51 1998



- NOTES: 1) ALL WIRE IS 12 AWG UNLESS OTHERWISE NOTED.  
 2) VR1, VR2 & VR3 ARE MOUNTED ON BUS 1, BUS 2 AND BUS 3 RESPECTIVELY.  
 3) VR4, VR5 AND VR6 ARE MOUNTED ON THE CHASSIS.  
 4) VR1-VR6 ARE 250 VAC., 130W  
 5) CB6, CB7, J5, J6 AND ASSOCIATED WIRING ARE NOT PART OF THIS ASSEMBLY BUT ARE PART OF AMPL ARRAY POWER LEVEL KITS 1278-1304 OR 1278-1306.

ADDED 6 AWG WIRE AT CB1-2, -4 & -6. MOVED CB8 & CB9 TO ELIMINATE 4 WAY CONN. AT VR3 & VR4. SECONDARY OF CB1 WAS CONNECTED TO BUS BAR. (MAS)

3	9331	2/10/98	LRT
2	9110	9/26/97	LRT
1	8703	12/13/96	RE

REV ECN DATE APV

**ITS CORPORATION**

THIS PRINT IS THE PROPERTY OF ITS CORP. IT SHALL NOT BE COPIED WITHOUT PERMISSION.

TITLE **I/C AC DISTRIBUTION ASSEMBLY, (3 PHASE) (1278-1100)**

REV	ECN	DATE	APV
DWN	MM	7/8/96	
CHK	RE	7/9/96	
REL	RE	7/9/96	

DWG. NO. **1278-8100** REV **3**

SCALE --- SHEET 1 OF 1