

# 6. PCB

## 6.1 Circuit diagram

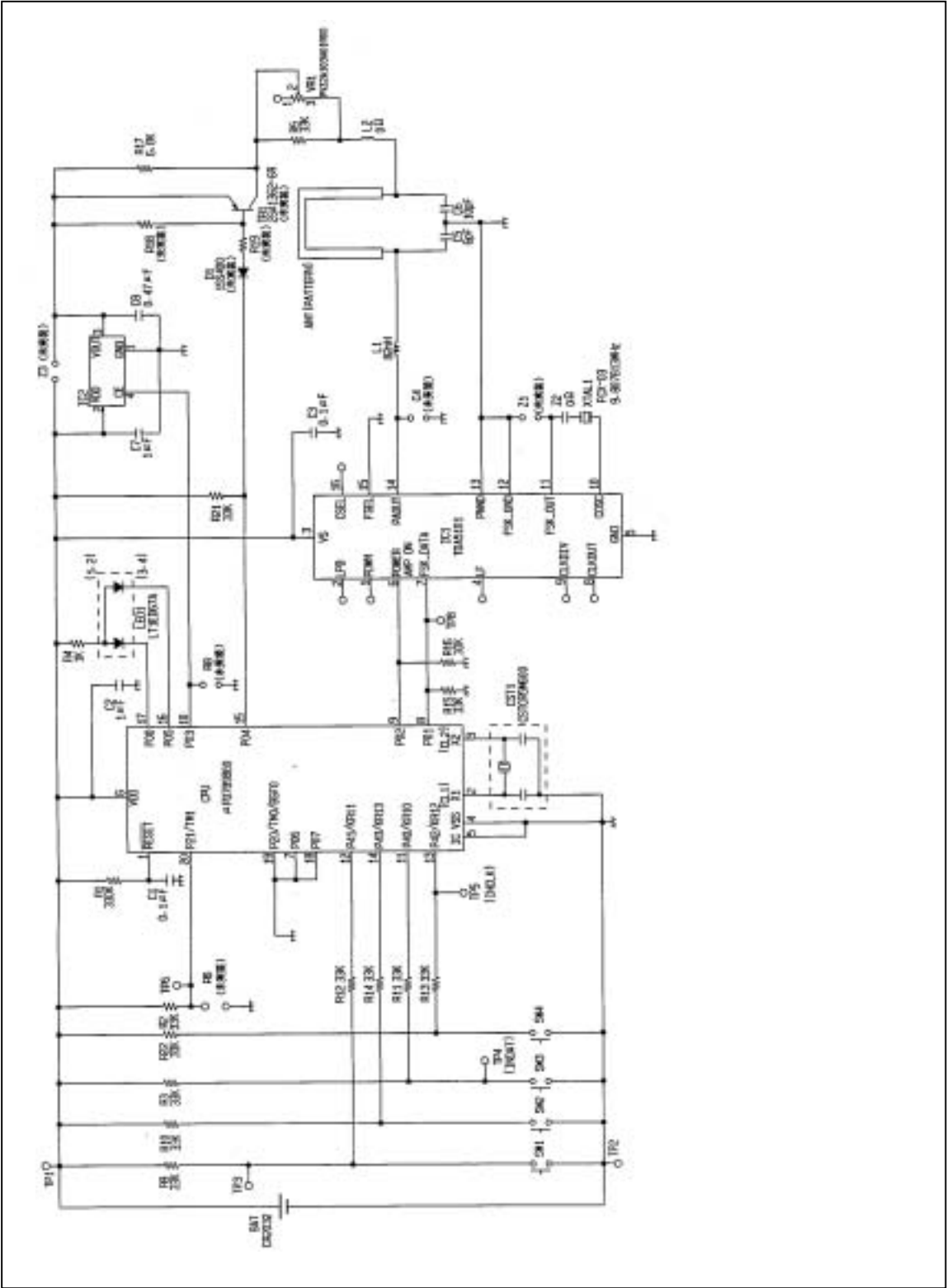


Figure 6.1.1 Circuit diagrams