

# 9. Label and labeling location

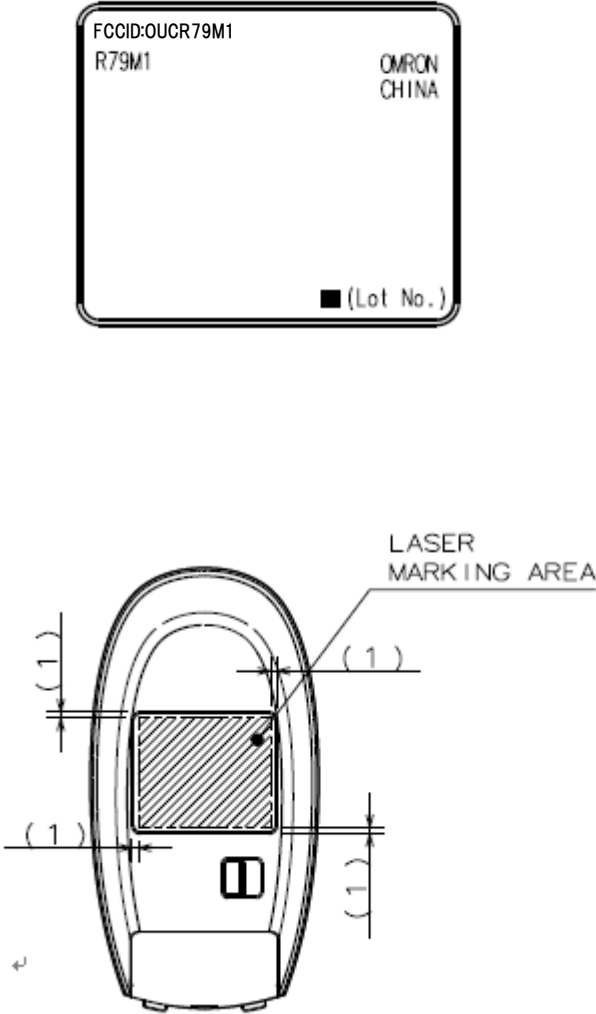


Figure 9.1 Label (marking)