



EMI TEST REPORT

Test Report No. 14254079H-B-R1

Customer	NIDEC MOBILITY CORPORATION
Description of EUT	Keyless operation system
Model Number of EUT	R706N
FCC ID	OUCR706N
Test Regulation	FCC Part 15 Subpart B
Test Result	Complied (Refer to SECTION 3)
Issue Date	June 1, 2022
Remarks	-

Representative Test Engineer

Nachi Konegawa
Engineer

Approved By

Shinichi Miyazono
Engineer



CERTIFICATE 5107.02

- The testing in which "Non-accreditation" is displayed is outside the accreditation scopes in UL Japan, Inc.
 There is no testing item of "Non-accreditation".

Report Cover Page - Form-ULID-003532 (DCS:13-EM-F0429) Issue# 20.0

ANNOUNCEMENT

- This test report shall not be reproduced in full or partial, without the written approval of UL Japan, Inc.
- The results in this report apply only to the sample tested.
- This sample tested is in compliance with the limits of the above regulation.
- The test results in this test report are traceable to the national or international standards.
- This test report must not be used by the customer to claim product certification, approval, or endorsement by the A2LA accreditation body.
- This test report covers EMC technical requirements. It does not cover administrative issues such as Manual or non-EMC test related Requirements. (if applicable)
- The all test items in this test report are conducted by UL Japan, Inc. Ise EMC Lab.
- The opinions and the interpretations to the result of the description in this report are outside scopes where UL Japan, Inc. has been accredited.
- The information provided from the customer for this report is identified in SECTION 1.

REVISION HISTORY

Original Test Report No.: 14254079H-B

This report is a revised version of 14254079H-B. 14254079H-B is replaced with this report.

Revision	Test Report No.	Date	Page Revised Contents
- (Original)	14254079H-B	May 17, 2022	-
1	14254079H-B-R1	June 1, 2022	Correction of the Model name for Clause 4.2; From GGF-M004-T05 to CGF-M004-T05 (LF Antenna (T/G)) From 5716A640WB to 5716A639WB (LF Antenna (DR))
1	14254079H-B-R1	June 1, 2022	Correction of No.1 Cable name in Clause 4.2; From Signal Cable to Antenna Cable

Reference: Abbreviations (Including words undescribed in this report)

A2LA	The American Association for Laboratory Accreditation	GPS	Global Positioning System
AAN	Asymmetric Artificial Network	Hori.	Horizontal
AC	Alternating Current	ICES	Interference-Causing Equipment Standard
AM	Amplitude Modulation	I/O	Input/Output
AMN	Artificial Mains Network	IEC	International Electrotechnical Commission
Amp, AMP	Amplifier	IEEE	Institute of Electrical and Electronics Engineers
ANSI	American National Standards Institute	IF	Intermediate Frequency
Ant, ANT	Antenna	ILAC	International Laboratory Accreditation Conference
AP	Access Point	ISED	Innovation, Science and Economic Development Canada
ASK	Amplitude Shift Keying	ISN	Impedance Stabilization Network
Atten., ATT	Attenuator	ISO	International Organization for Standardization
AV	Average	JAB	Japan Accreditation Board
BPSK	Binary Phase-Shift Keying	LAN	Local Area Network
BR	Bluetooth Basic Rate	LCL	Longitudinal Conversion Loss
BT	Bluetooth	LIMS	Laboratory Information Management System
BT LE	Bluetooth Low Energy	LISN	Line Impedance Stabilization Network
BW	BandWidth	MRA	Mutual Recognition Arrangement
C.F	Correction Factor	N/A	Not Applicable
Cal Int	Calibration Interval	NIST	National Institute of Standards and Technology
CAV	CISPR AV	NS	No signal detect.
CCK	Complementary Code Keying	NSA	Normalized Site Attenuation
CDN	Coupling Decoupling Network	OBW	Occupied BandWidth
Ch., CH	Channel	OFDM	Orthogonal Frequency Division Multiplexing
CISPR	Comite International Special des Perturbations Radioelectriques	PER	Packet Error Rate
Corr.	Correction	PK	Peak
CPE	Customer premise equipment	PLT	long-term flicker severity
CW	Continuous Wave	POHC(A)	Partial Odd Harmonic Current
DBPSK	Differential BPSK	Pol., Pola.	Polarization
DC	Direct Current	PR-ASK	Phase Reversal ASK
DET	Detector	P _{ST}	short-term flicker severity
D-factor	Distance factor	QAM	Quadrature Amplitude Modulation
Dmax	maximum absolute voltage change during an observation period	QP	Quasi-Peak
DQPSK	Differential QPSK	QPSK	Quadrature Phase Shift Keying
DSSS	Direct Sequence Spread Spectrum	r.m.s., RMS	Root Mean Square
DUT	Device Under Test	RBW	Resolution BandWidth
EDR	Enhanced Data Rate	RE	Radio Equipment
e.i.r.p., EIRP	Equivalent Isotropically Radiated Power	REV	Reverse
EM clamp	Electromagnetic clamp	RF	Radio Frequency
EMC	ElectroMagnetic Compatibility	RFID	Radio Frequency Identifier
EMI	ElectroMagnetic Interference	RNSS	Radio Navigation Satellite Service
EMS	ElectroMagnetic Susceptibility	RSS	Radio Standards Specifications
EN	European Norm	Rx	Receiving
e.r.p., ERP	Effective Radiated Power	SINAD	Ratio of (Signal + Noise + Distortion) to (Noise + Distortion)
ETSI	European Telecommunications Standards Institute	S/N	Signal to Noise ratio
EU	European Union	SA, S/A	Spectrum Analyzer
EUT	Equipment Under Test	SG	Signal Generator
Fac.	Factor	SVSWR	Site-Voltage Standing Wave Ratio
FCC	Federal Communications Commission	THC(A)	Total Harmonic Current
FHSS	Frequency Hopping Spread Spectrum	THD(%)	Total Harmonic Distortion
FM	Frequency Modulation	TR, T/R	Test Receiver
Freq.	Frequency	Tx	Transmitting
FSK	Frequency Shift Keying	VBW	Video BandWidth
Fund	Fundamental	Vert.	Vertical
FWD	Forward	WLAN	Wireless LAN
GFSK	Gaussian Frequency-Shift Keying	xDSL	Generic term for all types of DSL technology
GNSS	Global Navigation Satellite System		(DSL: Digital Subscriber Line)

CONTENTS	PAGE
SECTION 1: Customer information	5
SECTION 2: Equipment under test (EUT).....	5
SECTION 3: Test specification, procedures & results	6
SECTION 4: Operation of EUT during testing.....	9
SECTION 5: Radiated Emission.....	11
APPENDIX 1: Test data	13
Radiated Emission	13
APPENDIX 2: Test instruments	15
APPENDIX 3: Photographs of test setup.....	16
Radiated Emission	16
Worst Case Position.....	18

SECTION 1: Customer information

Company Name	NIDEC MOBILITY CORPORATION
Address	6368 Nenjozaka, Okusa, Komaki-city, Aichi-pref. 485-0802 Japan
Telephone Number	+81-568-78-6159
Contact Person	Konegawa Yamasaki

The information provided from the customer is as follows;

- Customer, Description of EUT, Model Number of EUT, FCC ID on the cover and other relevant pages
- Operating/Test Mode(s) (Mode(s)) on all the relevant pages
- SECTION 1: Customer Information
- SECTION 2: Equipment Under Test (EUT) other than the Receipt Date and Test Date
- SECTION 4: Operation of EUT during testing

* The laboratory is exempted from liability of any test results affected from the above information in SECTION 2 and 4.

SECTION 2: Equipment under test (EUT)

2.1 Identification of EUT

Description	Keyless operation system
Model Number	R706N
Serial Number	Refer to SECTION 4.2
Condition	Engineering prototype (Not for Sale: This sample is equivalent to mass-produced items.)
Modification	No Modification by the test lab
Receipt Date	March 17, 2022
Test Date	April 6, 2022

2.2 Product Description

General Specification

Rating	DC 12 V
Clock frequency (ies) in the system	16 MHz

Radio Specification

Push Start Switch function^{*1)}

Equipment Type	Transceiver
Frequency of Operation	125 kHz
Type of Modulation	ASK

Smart System: LF Transmitting function^{*1)}

Equipment Type	Transmitter
Frequency of Operation	125 kHz
Type of Modulation	ASK

Smart System: UHF Receiving function

Type of Receiver	Super Heterodyne
Receiving Frequency	315 MHz
Oscillator Frequency	21.948717 MHz
Local Oscillator Frequency	315.274 MHz
Intermediate Frequency	274 kHz

*1) The test of these functions was performed separately from this test report, and the conformability is confirmed.

SECTION 3: Test specification, procedures & results

3.1 Test Specification

Test Specification	FCC Part 15 Subpart B FCC Part 15 final revised on April 1, 2022 and effective May 2, 2022
Title	FCC 47CFR Part15 Radio Frequency Device Subpart B Unintentional Radiators

* The revision does not affect the test result conducted before its effective date.

3.2 Procedures and results

Item	Test Procedure	Limits	Deviation	Worst margin	Result	Remarks
Conducted emission	FCC: ANSI C63.4: 2014 7. AC power - line conducted emission measurements	FCC:Part 15 Subpart B 15.107(a)	N/A	N/A	N/A	*1)
Radiated emission	FCC: ANSI C63.4: 2014 8. Radiated emission measurements	FCC: Part 15 Subpart B 15.109(a)	N/A	18.15 dB 316.000 MHz, Horizontal, QP	Complied a)	-
Antenna Terminal	FCC: ANSI C63.4: 2014 12. Measurement of unintentional radiators other than ITE	FCC: Part 15 Subpart B 15.111(a)	N/A	N/A	N/A	*2)

* Note: UL Japan, Inc.'s EMI Work Procedure: Work Instructions-ULID-003591.

*1) The test is not applicable since the EUT is not the device that is designed to be connected to the public utility (AC) power line.

*2) The receiving antenna (of this EUT) is installed inside the EUT and cannot be removed (permanently attached).
Therefore, Radiated emission test was performed.

a) Refer to APPENDIX 1 (data of Radiated Emission)

Symbols:

Complied The data of this test item has enough margin, more than the measurement uncertainty.

Complied# The data of this test item meets the limits unless the measurement uncertainty is taken into consideration

3.3 Addition to standard

No addition, exclusion nor deviation has been made from the standard.

3.4 Uncertainty

There is no applicable rule of uncertainty in this applied standard. Therefore, the results are derived depending on whether or not laboratory uncertainty is applied.

The following uncertainties have been calculated to provide a confidence level of 95 % using a coverage factor $k = 2$.

Radiated emission

Measurement distance	Frequency range		Uncertainty (+/-)
3 m	30 MHz to 200 MHz	Horizontal	4.8 dB
		Vertical	5.0 dB
	200 MHz to 1000 MHz	Horizontal	5.1 dB
		Vertical	6.2 dB
10 m	30 MHz to 200 MHz	Horizontal	4.8 dB
		Vertical	4.8 dB
	200 MHz to 1000 MHz	Horizontal	5.0 dB
		Vertical	5.0 dB
3 m	1 GHz to 6 GHz		5.1 dB
	6 GHz to 18 GHz		5.4 dB
1 m	10 GHz to 26.5 GHz		5.4 dB
	26.5 GHz to 40 GHz		5.4 dB
0.5 m	26.5 GHz to 40 GHz		5.4 dB
10 m	1 GHz to 18 GHz		5.4 dB

3.5 Test Location

UL Japan, Inc. Ise EMC Lab.

*A2LA Certificate Number: 5107.02 / FCC Test Firm Registration Number: 884919

ISED Lab Company Number: 2973C / CAB identifier: JP0002

4383-326 Asama-cho, Ise-shi, Mie-ken 516-0021 JAPAN

Telephone: +81 596 24 8999, Facsimile: +81 596 24 8124

Test site	Width x Depth x Height (m)	Size of reference ground plane (m) / horizontal conducting plane	Other rooms	Maximum measurement distance
No.1 semi-anechoic chamber	19.2 x 11.2 x 7.7	7.0 x 6.0	No.1 Power source room	10 m
No.2 semi-anechoic chamber	7.5 x 5.8 x 5.2	4.0 x 4.0	-	3 m
No.3 semi-anechoic chamber	12.0 x 8.5 x 5.9	6.8 x 5.75	No.3 Preparation room	3 m
No.3 shielded room	4.0 x 6.0 x 2.7	N/A	-	-
No.4 semi-anechoic chamber	12.0 x 8.5 x 5.9	6.8 x 5.75	No.4 Preparation room	3 m
No.4 shielded room	4.0 x 6.0 x 2.7	N/A	-	-
No.5 semi-anechoic chamber	6.0 x 6.0 x 3.9	6.0 x 6.0	-	-
No.5 measurement room	6.4 x 6.4 x 3.0	6.4 x 6.4	-	-
No.6 shielded room	4.0 x 4.5 x 2.7	4.0 x 4.5	-	-
No.6 measurement room	4.75 x 5.4 x 3.0	4.75 x 4.15	-	-
No.7 shielded room	4.7 x 7.5 x 2.7	4.7 x 7.5	-	-
No.8 measurement room	3.1 x 5.0 x 2.7	3.1 x 5.0	-	-
No.9 measurement room	8.8 x 4.6 x 2.8	2.4 x 2.4	-	-
No.10 shielded room	3.8 x 2.8 x 2.8	3.8 x 2.8	-	-
No.11 measurement room	4.0 x 3.4 x 2.5	N/A	-	-
No.12 measurement room	2.6 x 3.4 x 2.5	N/A	-	-

3.6 Test data, Test instruments, and Test set up

Refer to APPENDIX.

SECTION 4: Operation of EUT during testing

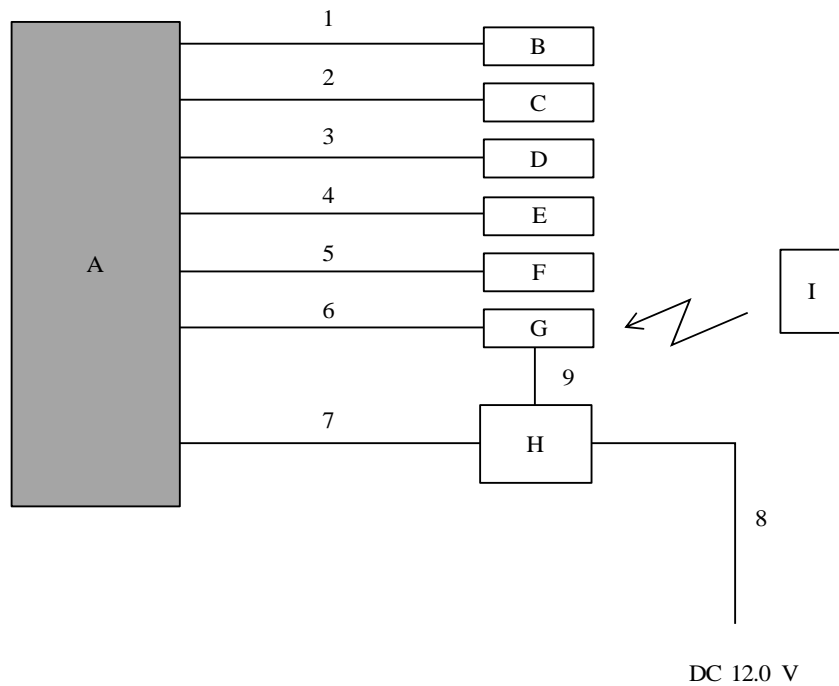
4.1 Operating Mode(s)

Mode	Remarks
1) Receiving mode (Rx) 315 MHz	-

Software(s)	KOS_436002 Version: 43.60.02
-------------	------------------------------

- *The test signal level was confirmed to be sufficient to stabilize the local oscillator of the EUT.
- *It was confirmed by using checker that the EUT receives the signal from the transmitter (pair of EUT).

4.2 Configuration and peripherals



- *Cabling and setup(s) were taken into consideration and test data was taken under worse case conditions.
- *Item No. A includes Receiver Antenna.

Description of EUT and Support equipment

No.	Item	Model number	Serial number	Manufacturer	Remarks
A	Keyless operation system	R706N	#2212G1	NIDEC MOBILITY CORPORATION	EUT
B	LF Antenna (InF)	G8D-841M-ANT	19X26	NIDEC MOBILITY CORPORATION	-
C	LF Antenna (InR)	G8D-841M-ANT	19X26	NIDEC MOBILITY CORPORATION	-
D	LF Antenna (T/G)	CGF-M004-T05	19X26	NIDEC MOBILITY CORPORATION	-
E	LF Antenna (DR)	5716A639WB	22031601	NIDEC MOBILITY CORPORATION	-
F	LF Antenna (AS)	5716A640WB	22031602	NIDEC MOBILITY CORPORATION	-
G	Push Switch for Engine Start	CFT-M001	000332	NIDEC MOBILITY CORPORATION	-
H	Jig	-	-	NIDEC MOBILITY CORPORATION	-
I	FOB	GHR-M013	#5	NIDEC MOBILITY CORPORATION	-

List of cables used

No.	Name	Length (m)	Shield		Remarks
			Cable	Connector	
1	Antenna Cable	1.6	Unshielded	Unshielded	-
2	Antenna Cable	1.6	Unshielded	Unshielded	-
3	Antenna Cable	1.6	Unshielded	Unshielded	-
4	Antenna Cable	1.6	Unshielded	Unshielded	-
5	Antenna Cable	1.6	Unshielded	Unshielded	-
6	Antenna Cable	1.5	Unshielded	Unshielded	-
7	DC and Signal Cable	1.5	Unshielded	Unshielded	-
8	DC Cable	2.0	Unshielded	Unshielded	-
9	DC Cable	0.3	Unshielded	Unshielded	-

SECTION 5: Radiated Emission

5.1 Operating environment

Date : See data
Test place : See data
Temperature : See data
Humidity : See data
Test engineer : See data

5.2 Test configuration

EUT was placed on a urethane platform of nominal size, 1.0 m by 1.5 m, raised 0.8 m above the conducting ground plane.

The EUT was set on the edge of the tabletop.

Test was made with the antenna positioned in both the horizontal and vertical planes of polarization. The measurement antenna was varied in height above the conducting ground plane to obtain the maximum signal strength.

Photographs of the set up are shown in APPENDIX 3

5.3 Test conditions

Frequency range : 30 MHz to 200 MHz (Biconical antenna) / 200 MHz to 1000 MHz (Logperiodic antenna)
1000 MHz to 2000 MHz (Horn antenna)
Test distance : 3 m
EUT position : Table top
EUT operation mode : See Clause 4.1

5.4 Test procedure

The height of the measuring antenna varied between 1 and 4 m and EUT was rotated a full revolution in order to obtain the maximum value of the electric field intensity.

The measurements were performed for both vertical and horizontal antenna polarization with the Test Receiver.

The radiated emission measurements were made with the following detector function of the Test Receiver.

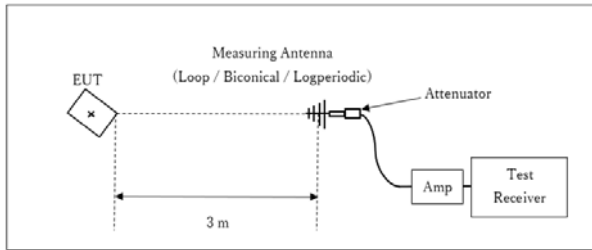
For above 1 GHz, test antenna was aimed at the EUT for receiving the maximum signal and always kept within the illumination area of the 3 dB beamwidth of the antenna.

Frequency	Below 1GHz	Above 1GHz *1)
Instrument used	Test Receiver	Test Receiver
IF Bandwidth	QP: BW 120 kHz	PK: BW 1 MHz, CAV: BW 1 MHz

*1) The measurement data was adjusted to a 3 m distance using the following Distance Factor.
Distance Factor: See Figure 1.

Figure 1: Test Setup

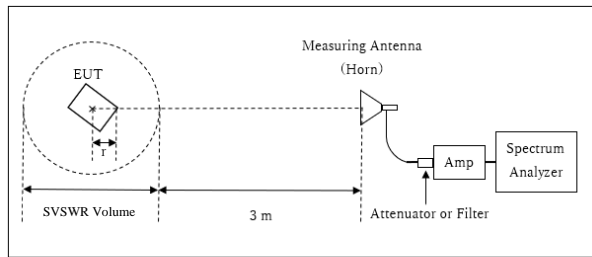
Below 1 GHz



* : Center of turn table

Test Distance: 3 m

1 GHz to 2 GHz



r : Radius of an outer periphery of EUT
* : Center of turn table

Distance Factor: $20 \times \log(3.3 \text{ m}^*/3.0 \text{ m}) = 0.83 \text{ dB}$

* Test Distance: $(3 + \text{SVSWR Volume} / 2) - r = 3.3 \text{ m}$

SVSWR Volume: 2 m

(SVSWR Volume has been calibrated based on CISPR 16-1-4.)

$r = 0.7 \text{ m}$

- The noise levels were confirmed at each position of X, Y and Z axes of EUT to see the position of maximum noise, and the test was made at the position that has the maximum noise.

5.5 Test result

Summary of the test results: Pass

The limit is rounded down to one decimal place.

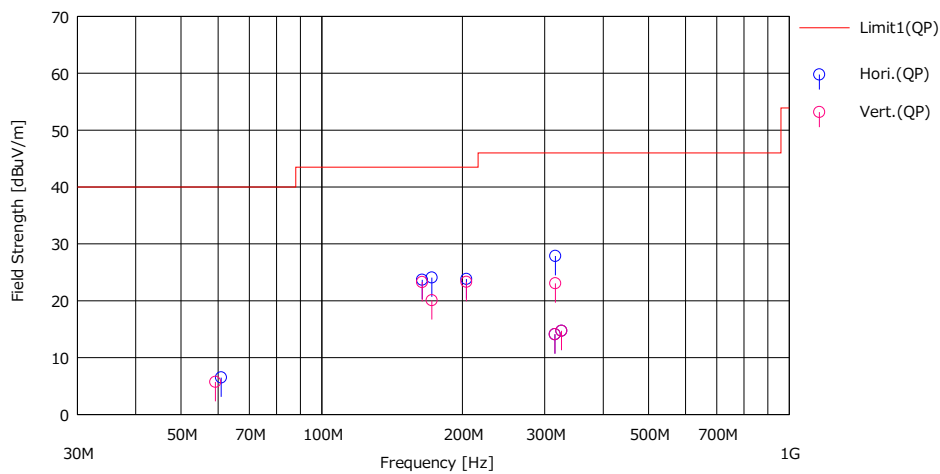
The test result is rounded off to one or two decimal places, so some differences might be observed.

APPENDIX 1: Test data

Radiated Emission

Test place Ise EMC Lab.
Semi Anechoic Chamber No.3
Date April 6, 2022
Temperature / Humidity 23 deg. C / 33 % RH
Engineer Nachi Konegawa
(Below 1 GHz)
Mode Mode 1

Limit : FCC_Part 15 Subpart B(15.109)_Class B



No.	Freq. [MHz]	Reading	AntFac [dB/m]	Loss [dB]	Gain [dB]	Result	Limit [dBuV/m]	Margin	Pola [H/V]	Height [cm]	Angle [deg]	Ant. Type	Comment
		[dBuV]				[dBuV/m]		[dB]					
1	60.940	23.50	7.59	7.59	32.19	6.49	40.00	33.51	Hori.	100	0	BA	
2	164.000	31.30	15.63	8.82	32.08	23.67	43.50	19.83	Hori.	190	35	BA	
3	172.000	31.30	15.94	8.90	32.07	24.07	43.50	19.43	Hori.	190	31	BA	
4	204.000	34.90	11.76	9.20	32.05	23.81	43.50	19.69	Hori.	170	272	LA22	
5	315.274	21.70	14.28	10.12	32.00	14.10	46.00	31.90	Hori.	100	84	LA22	
6	316.000	35.40	14.32	10.13	32.00	27.85	46.00	18.15	Hori.	138	204	LA22	
7	325.700	21.70	14.81	10.20	32.00	14.71	46.00	31.29	Hori.	100	84	LA22	
8	59.239	22.30	8.04	7.57	32.19	5.72	40.00	34.28	Vert.	100	0	BA	
9	164.000	30.90	15.63	8.82	32.08	23.27	43.50	20.23	Vert.	100	346	BA	
10	172.000	27.30	15.94	8.90	32.07	20.07	43.50	23.43	Vert.	100	102	BA	
11	204.000	34.40	11.76	9.20	32.05	23.31	43.50	20.19	Vert.	100	15	LA22	
12	315.274	21.70	14.28	10.12	32.00	14.10	46.00	31.90	Vert.	100	0	LA22	
13	316.000	30.60	14.32	10.13	32.00	23.05	46.00	22.95	Vert.	100	290	LA22	
14	325.700	21.70	14.81	10.20	32.00	14.71	46.00	31.29	Vert.	100	7	LA22	

CHART: WITH FACTOR

ANT TYPE: - 30 MHz: LOOP, 30 MHz - 200 MHz: BICONICAL, 200 MHz - 1000 MHz: LOGPERIODIC, 1000 MHz -: HORN

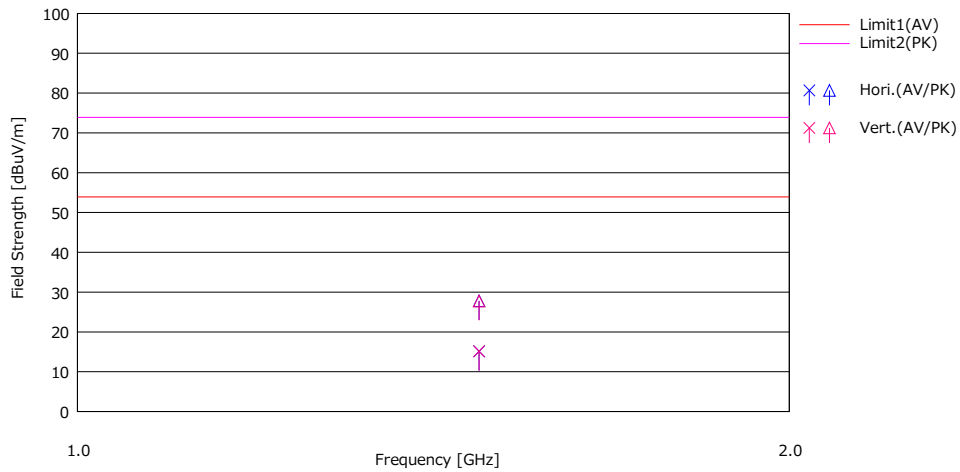
CALCULATION: RESULT = READING + ANT FACTOR + LOSS(CABLE + ATT) - GAIN(AMP)

Except for the above table: adequate margin data below the limits.

Radiated Emission

Test place Ise EMC Lab.
Semi Anechoic Chamber No.3
Date April 6, 2022
Temperature / Humidity 23 deg. C / 33 % RH
Engineer Nachi Konegawa
 (Above 1 GHz)
Mode Mode 1

Limit : FCC_Part 15 Subpart B(15.109)_Class B



No.	Freq. [MHz]	Reading		Ant.Fac [dB/m]	Loss [dB]	Gain [dB]	Result		Limit		Margin		Pola. [H/V]	Height [cm]	Angle [deg]	Ant. Type	Comment
		(AV) [dBuV]	(PK) [dBuV]				(AV) [dBuV/m]	(PK) [dBuV/m]	(AV) [dBuV/m]	(PK) [dBuV/m]	(AV) [dB]	(PK) [dB]					
1	1478.822	21.10	33.80	25.47	2.90	34.35	15.12	27.82	53.90	73.90	38.78	46.08	Hori.	100	0	H2O	
2	1478.822	21.10	33.70	25.47	2.90	34.35	15.12	27.72	53.90	73.90	38.78	46.18	Vert.	100	0	H2O	

CHART: WITH FACTOR

ANT TYPE: - 30 MHz: LOOP, 30 MHz - 200 MHz: BICONICAL, 200 MHz - 1000 MHz: LOGPERIODIC, 1000 MHz -: HORN

CALCULATION: RESULT = READING + ANT FACTOR + LOSS(CABLE + D-factor) - GAIN(AMP)

Except for the above table: adequate margin data below the limits.

APPENDIX 2: Test instruments

Test equipment

Test Item	Local ID	LIMS ID	Description	Manufacturer	Model	Serial	Last Calibration Date	Cal Int
RE	MAEC-03	142008	AC3_Semi Anechoic Chamber(NSA)	TDK	Semi Anechoic Chamber 3m	DA-10005	05/22/2020	24
RE	MOS-13	141554	Thermo-Hygrometer	CUSTOM. Inc	CTH-201	1301	01/10/2022	12
RE	MMM-08	141532	DIGITAL HiTESTER	HIOKI E.E. CORPORATION	3805	51201197	01/16/2022	12
RE	MJM-16	142183	Measure	KOMELON	KMC-36	-	-	-
RE	COTS-MEMI-02	178648	EMI measurement program	TSJ (Techno Science Japan)	TEPTO-DV	-	-	-
RE	MAEC-03-SVSWR	142013	AC3_Semi Anechoic Chamber(SVSWR)	TDK	Semi Anechoic Chamber 3m	DA-10005	04/01/2021	24
RE	MAT-95	142314	Attenuator	Pasternack Enterprises	PE7390-6	D/C 1504	06/09/2021	12
RE	MBA-05	141425	Biconical Antenna	Schwarzbeck Mess-Elektronik OHG	VHA9103+BBA9106	VHA 91031302	08/28/2021	12
RE	MCC-51	141323	Coaxial cable	UL Japan	-	-	07/19/2021	12
RE	MLA-22	141266	Logperiodic Antenna (200-1000MHz)	Schwarzbeck Mess-Elektronik OHG	VUSLP9111B	9111B-191	08/21/2021	12
RE	MPA-13	141582	Pre Amplifier	SONOMA INSTRUMENT	310	260834	02/25/2022	12
RE	MTR-08	141949	Test Receiver	Rohde & Schwarz	ESCI	100767	08/05/2021	12
RE	MHA-20	141507	Horn Antenna 1-18GHz	Schwarzbeck Mess-Elektronik OHG	BBHA9120D	258	11/09/2021	12
RE	MPA-11	141580	MicroWave System Amplifier	Keysight Technologies Inc	83017A	MY39500779	03/17/2022	12
RE	MCC-231	177964	Microwave Cable	Junkosha INC.	MMX221	1901S329(1m)/ 1902S579(5m)	03/15/2022	12

*Hyphens for Last Calibration Date and Cal Int (month) are instruments that Calibration is not required (e.g. software), or instruments checked in advance before use.

The expiration date of the calibration is the end of the expired month.

As for some calibrations performed after the tested dates, those test equipment have been controlled by means of an unbroken chains of calibrations.

All equipment is calibrated with valid calibrations. Each measurement data is traceable to the national or international standards.

Test item:

RE: Radiated emission