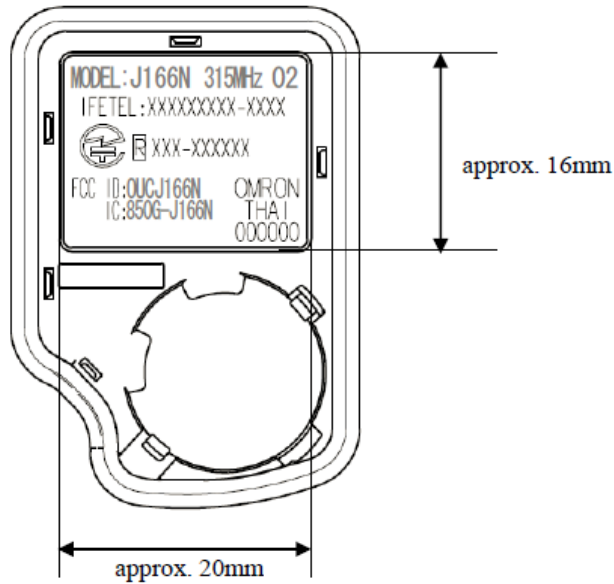


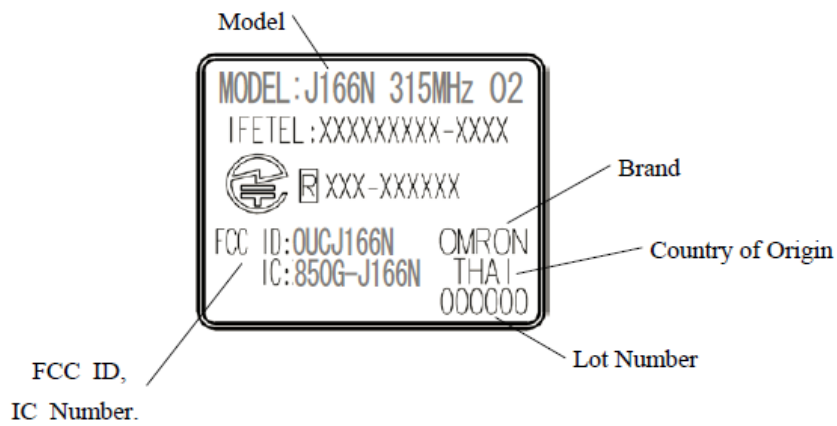
8. Label

Process: laser marking

Labeling area: back of the equipment



Marking Item:



This device is smaller than the size of the palm and will be installed in the vehicle, therefore the compliance statements will be provided in the user's manual of the vehicle.