

3. Block diagram

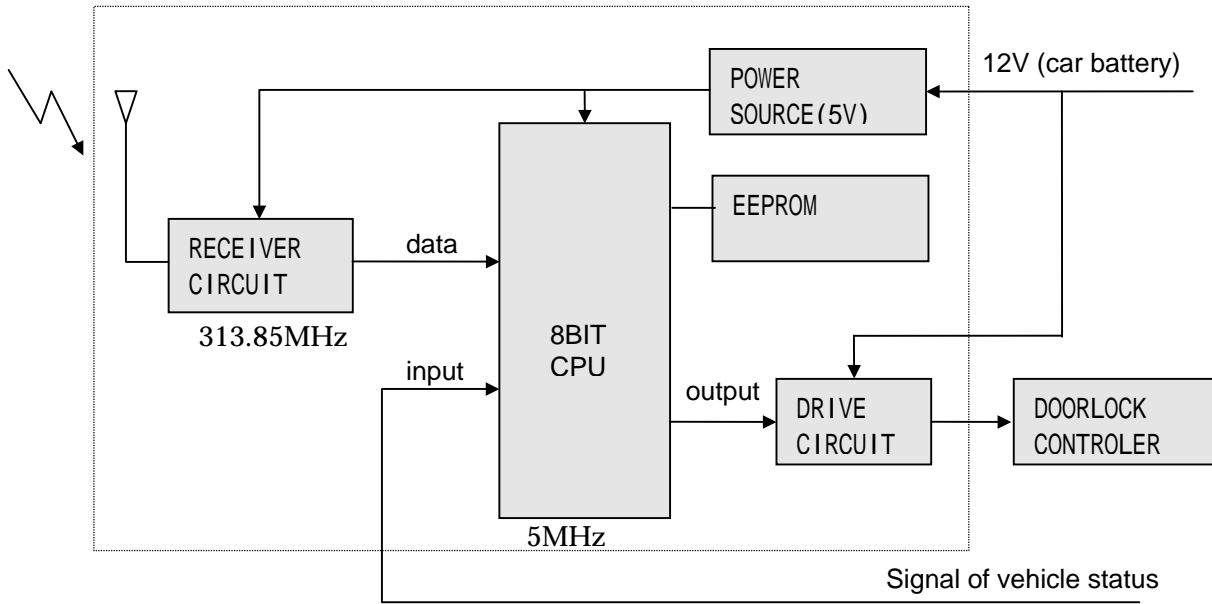


figure 3.1 block diagram of the receiver

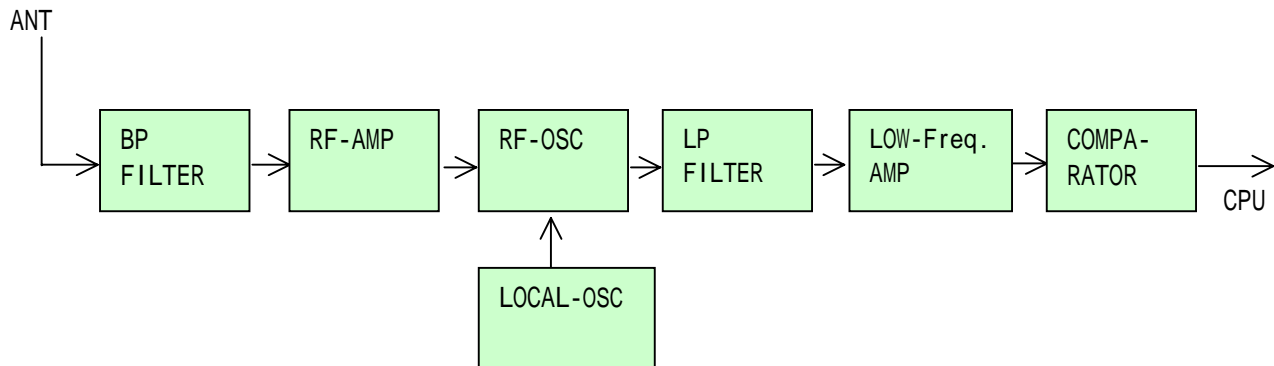


figure 3.2 block diagram (receiver Circuit)