

3. Block diagram

This is the block diagram concerning to the transmitter

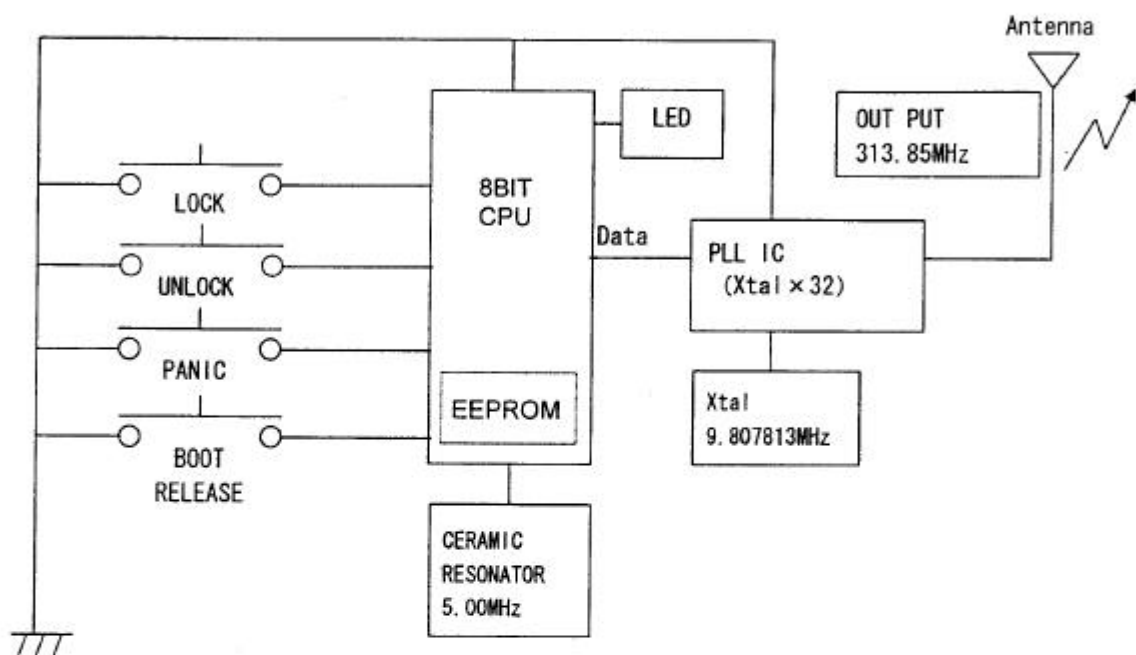


Figure 3.1 block diagram of the transmitter

Switch combination

OMRON MODEL NAME	SW QTY	LOCK	UNLOCK	PANIC	BOOT RELEASE
G8D-380H-A	4	○	○	○	○
G8D-380H-A-NP	3	○	○	×	○
G8D-380H-A-NT	3	○	○	○	×
G8D-383H-A-NTP	2	○	○	×	×