

Internal Photo for LF Initiator

FCC ID: OUCG8D-366H-SYS
IC Number: 850G-G8D366HSYS



Figure 7.3 PCB assy (front view)

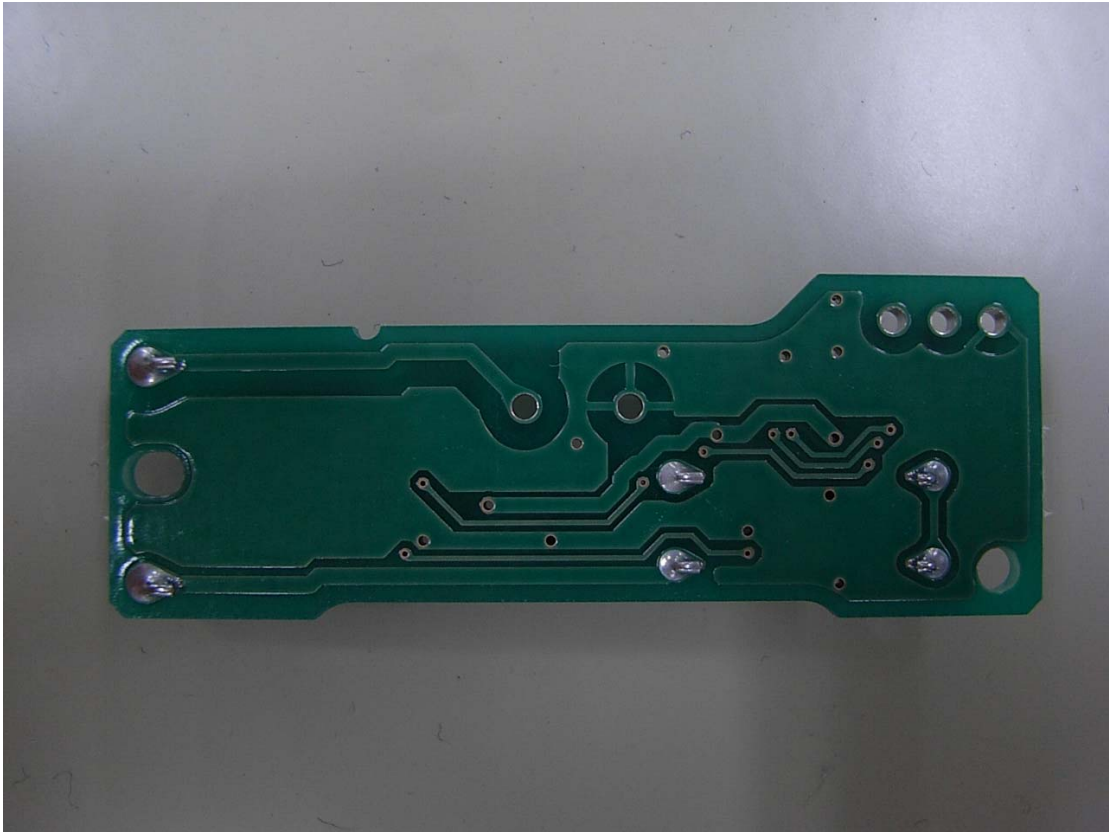


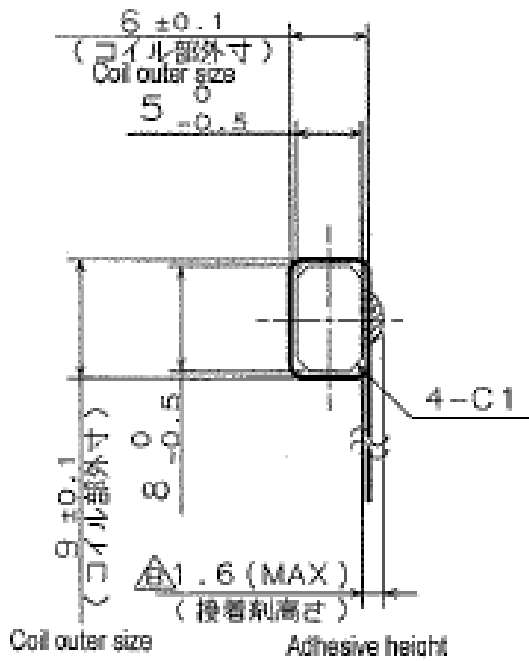
Figure 7.4 PCB assy (back view)

Internal Photo for LF Initiator

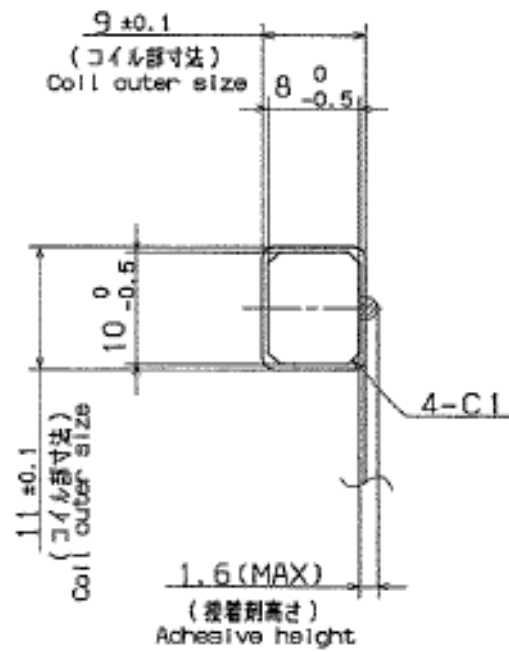


Figure 7.5 PCB assy and antenna (inserted into case , front view)

G8D-366H-ANT-C



G8D-366H-ANT-D



Length is different though outline of the antenna are same.