

6. PCB

6.1 Circuit diagram

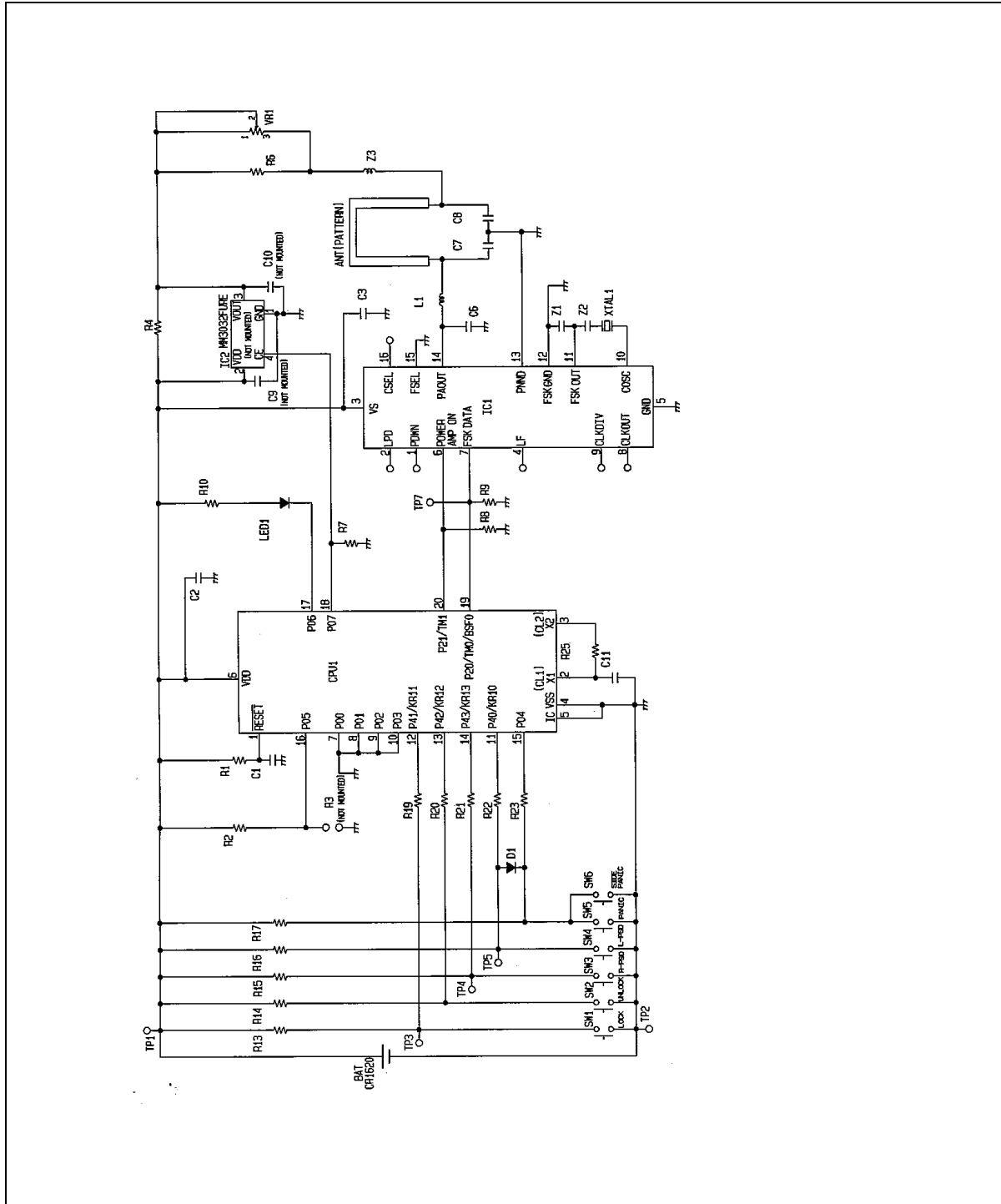


Figure 6.1.1 Circuit diagrams