

3. Block diagram

This is the block diagram concerning to the transmitter

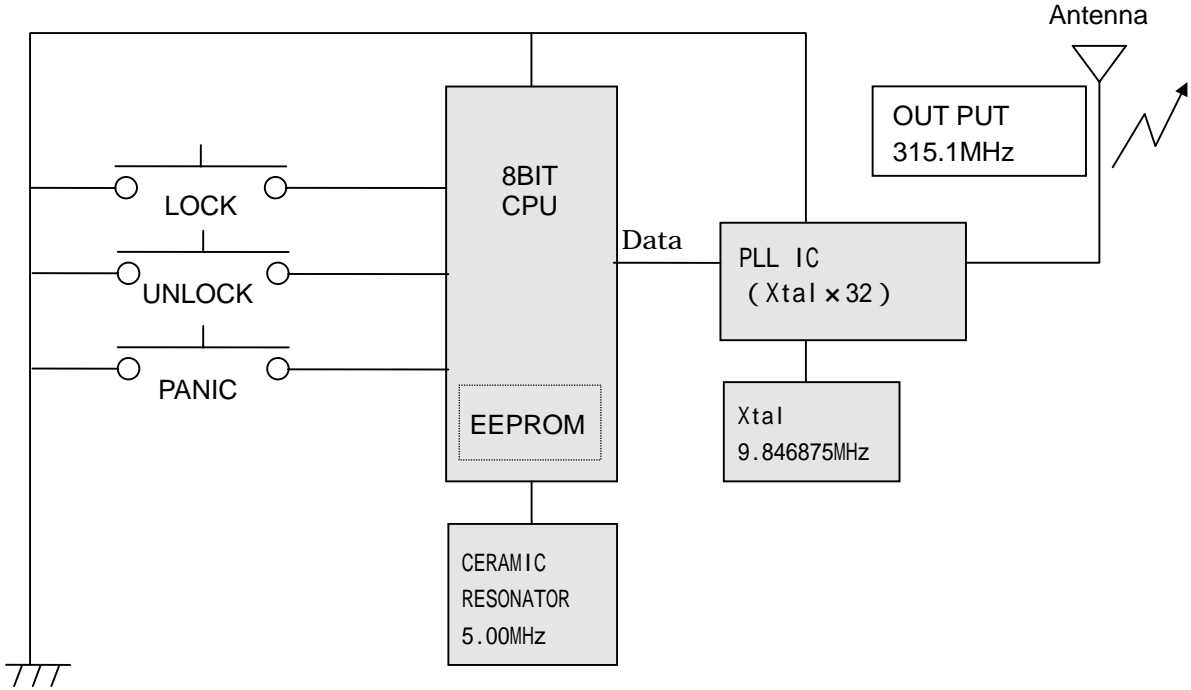


Figure 3.1 block diagram of the transmitter

Switch combination

MODEL NAME	SW QTY	LOCK	UNLOCK	PANIC
G8D-246S-A(50J1)	3			
G8D-246S-A-NP(50J1NP)	2			x