

### 3. Block diagram

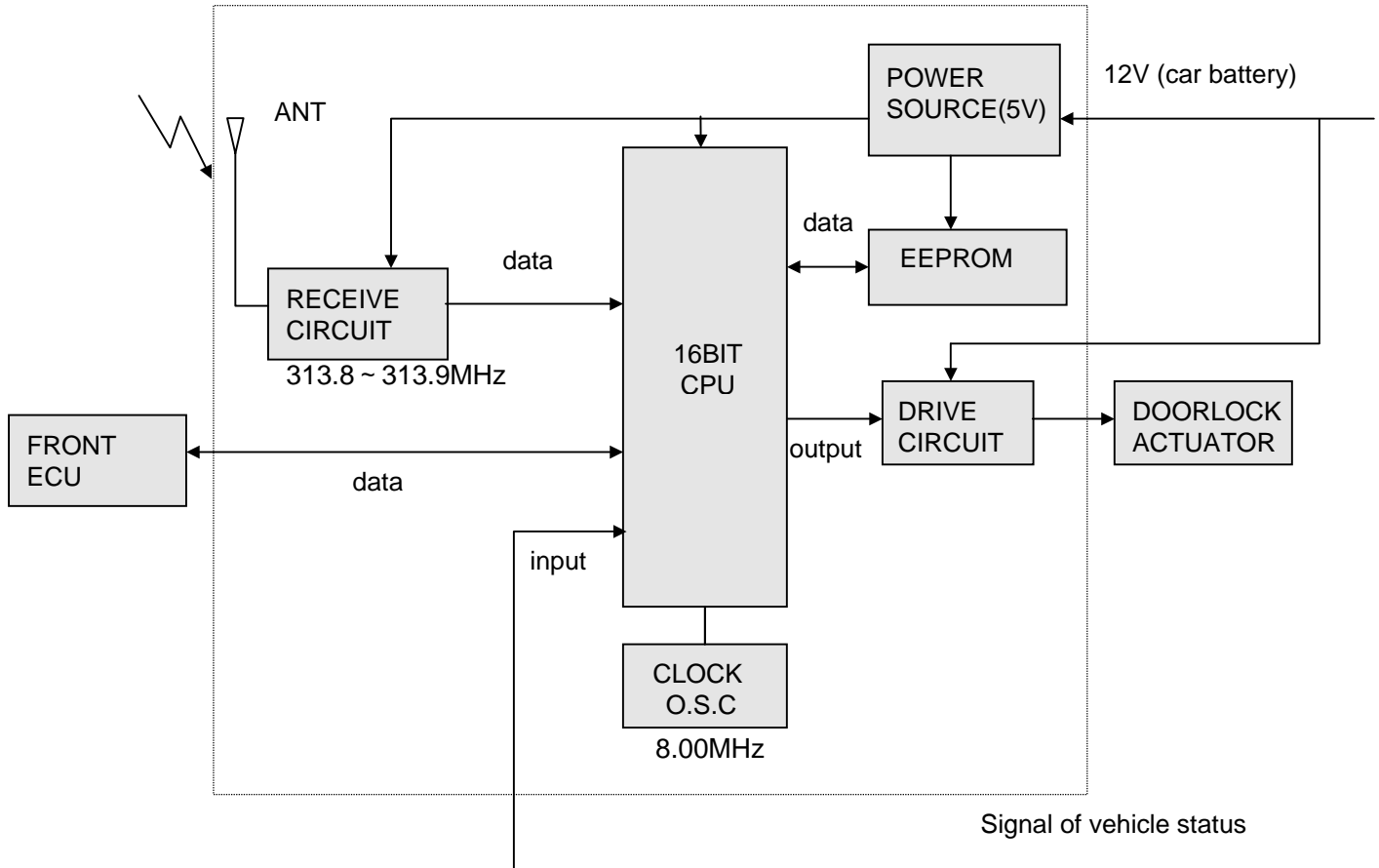


figure 3.1 Block diagram of the receiver

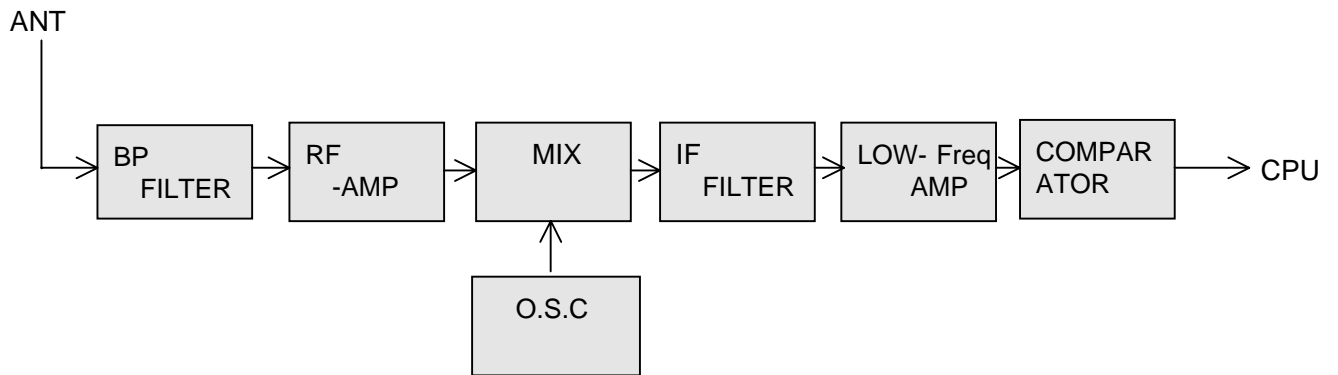


figure 3.2 Block diagram RECEIVE CIRCUIT