

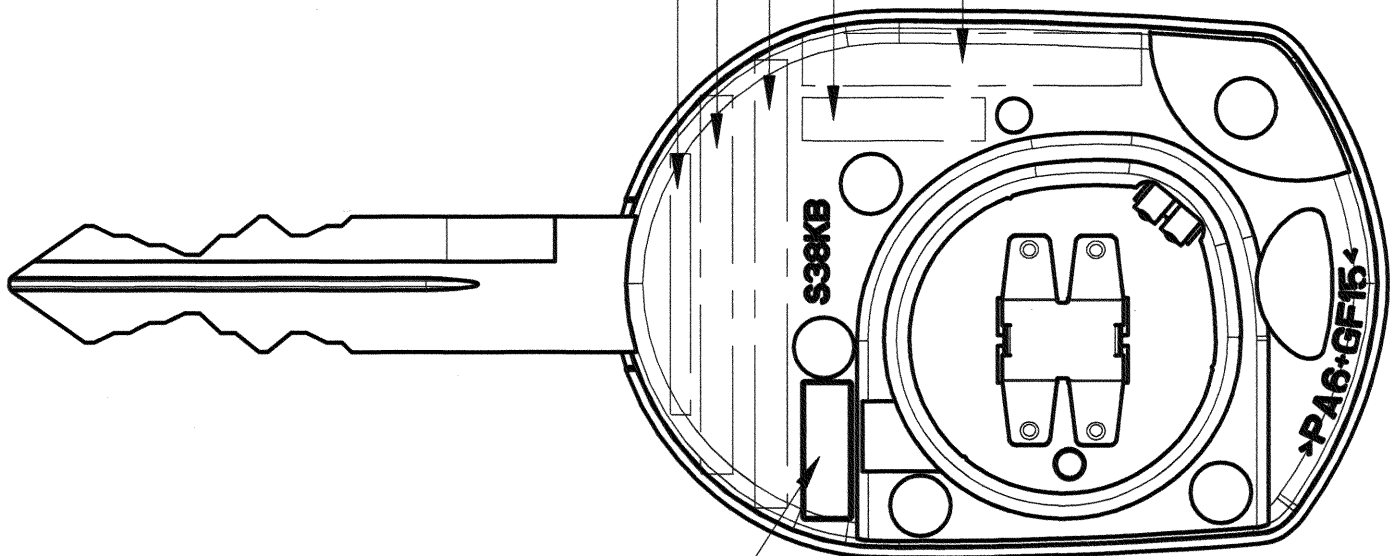
2.5 MM HIGH TEXT " USE CR2032 BATTERY"
TO BE LASER PRINTED IN THIS AREA

1.7 MM HIGH TEXT "REPLACE WITH + SIDE UP"
TO BE LASER PRINTED IN THIS AREA

1.7 MM HIGH TEXT "DO NOT WIPE BATTERY TERMINALS"
TO BE LASER PRINTED IN THIS AREA

PCB PART NUMBER (ITEM 2)
TO BE LASER PRINTED IN THIS AREA

"FCC ID: OUCD6000022"
"IC: 850K-D6000022"
TO BE LASER PRINTED IN THIS AREA



FoMoCo TRUSTMARK
LOCATED IN THIS AREA

DAB OF GREASE (ITEM 5)
TO BE APPLIED TO EACH CONTACT
OF NEGATIVE TERMINAL