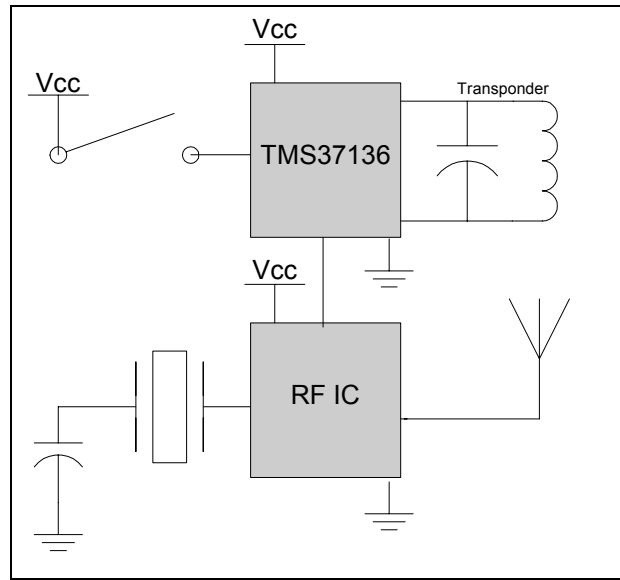


B2



Integrated Key Transmitter Block Diagram

B3

Signal Name	Test	Pin #	Waveform	Amplitude	Freq/PW/DC%	Other
RKE	All	N/A	ASK	0V-3V	315MHz	
Immobilizer	All	N/A	FSK	0V-3V	134.2kHz	
				NOTE 1		

NOTE 1: Acceptance Limit is defined as successful key authentication.

Signal Source Description	Voltage/Current Level	Frequency	% Duty Cycle (range)	Other
Transponder Coil	0V – 3V	134.2kHz		FSK
Crystal Resonator	0V – 3V	9.84375MHz	50%	Sinusoidal
Clock Signal	0V – 3V	2.4609375MHz	48%-52%	Square
RF IC	0V – 3V / 9mADC	315MHz		ASK