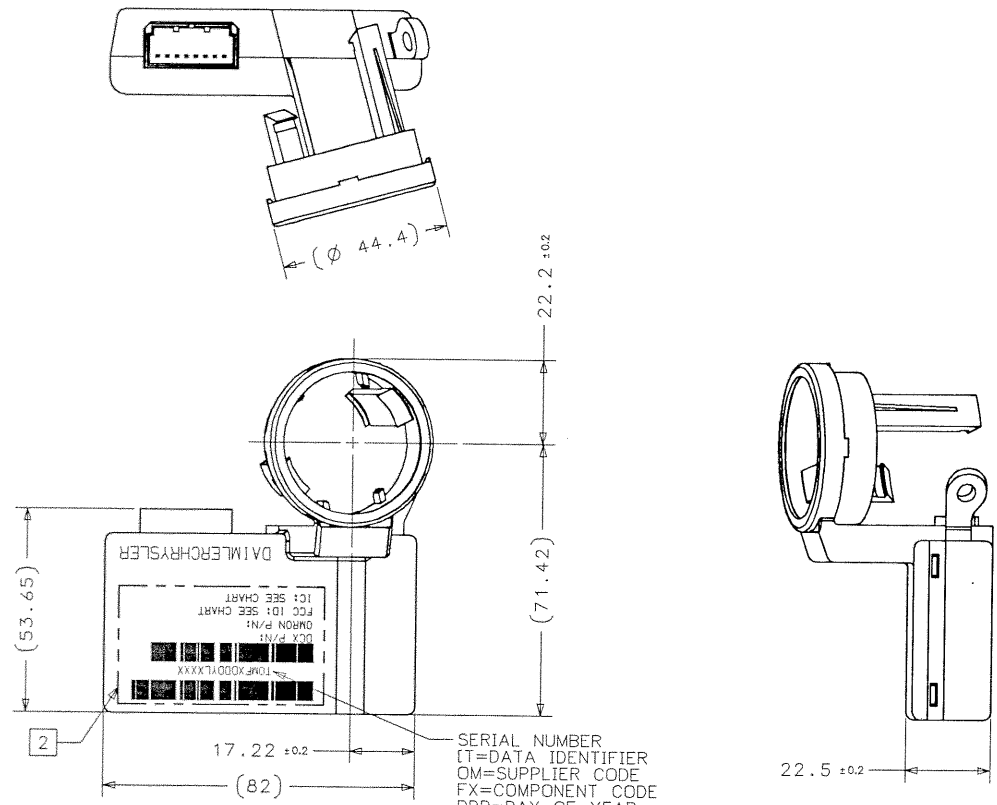
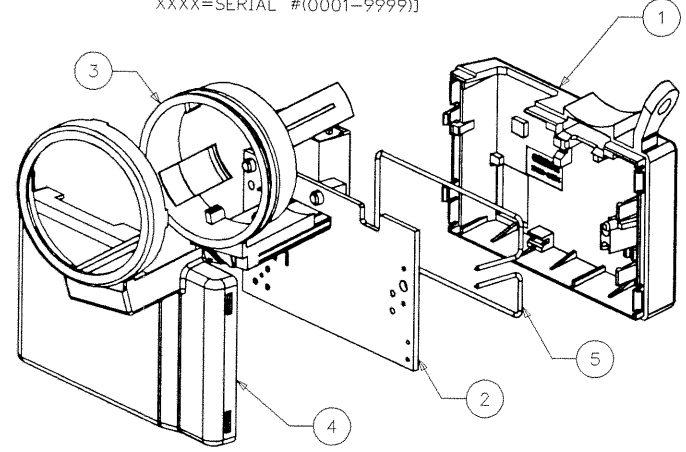


REVISIONS		SEE ENCL FOR DESCRIPTION/DETAILS OF REVISION			
NO.	DATE	ECN No.	Eng.	Appr.	Date
A		105174, NEW DWG.	DM		
1	106083		DM	MMK	06-12-06
2	106115		DM	<i>[Signature]</i>	6-23-06



SERIAL NUMBER
 LT=DATA IDENTIFIER
 OM=SUPPLIER CODE
 FX=COMPONENT CODE
 DDD=DAY OF YEAR
 Y=LAST DIGIT OF YEAR
 L=LINE NO. (1 OR 2)
 XXXX=SERIAL #(0001-9999)

-0	FCC ID: OUC60000410 IC: 850K-60000410
-1	FCC ID: OUC60000410 IC: 850K-60000410
-3	FCC ID: OUC60000413 IC: 850K-60000413
-4	☑ 0682
-5	FCC ID: OUC60000415 IC: 850K-60000415



SPECIFICATION LIST	
Z9120035-	SCHEMATIC WCM
Z9220057-	PACKAGING WCM
Z9070030-0	INSPECTION WCM
Z9270020-0D	SOFTWARE

ITEM	PART NO.	DESCRIPTION	QTY.				
5	D1190002-0	WIRE,1005 STEEL Ø1.2mm		1.8		1.8	1.8
	Z9020021-0	SPEC., WIRE ANTENNA					
4	D6000041-5	SUBASSEMBLY, PCB	1				
4	D6000041-4	SUBASSEMBLY, PCB		1			
4	D6000041-3	SUBASSEMBLY, PCB			1		
4	D6000041-1	SUBASSEMBLY, PCB				1	
4	D6000041-0	SUBASSEMBLY, PCB					1
3	D6200024-0	SUBASSEMBLY, COIL	1	1	1	1	1
2	D4970029-0	COVER	1	1	1	1	1
1	D4970028-1	CASE WITH HOLE		1			
1	D4970028-0	CASE WITHOUT HOLE			1	1	1

NOTES:
 1. COIL SUB-ASSEMBLY MUST BE FULLY SEATED TO THE CASE.
 2. IF UNIT PASSES ALL TESTS, LASER MARK AS SHOWN.

**PRINTED DOCUMENTS
 ARE UNCONTROLLED**

THIRD ANGLE PROJECTION

SCALE: 1:1

TOLERANCES PER IT14
 0-3 mm ± 0.125
 3-6 mm ± 0.15
 6-10 mm ± 0.18
 10-18 mm ± 0.215
 18-30 mm ± 0.26
 ABOVE 30mm ± 0.31
 ANGLES ± 1'
 CENTERING ± 0.07

THIS DOCUMENT CONTAINS CONFIDENTIAL INFORMATION WHICH IS THE PROPERTY OF OMRON AUTOMOTIVE ELECTRONICS INC. AND SHALL NOT BE REPRODUCED WITHOUT WRITTEN PERMISSION.

OMRON
 AUTOMOTIVE ELECTRONIC INC.
 3708 OHIO AVE., ST. CHARLES, IL 60174

COMPUTER GENERATED IN US
 NO MANUAL CHANGES

DATE: 11-12-03
 DATE: 11-30-05
 DATE: 12-05-05

SIZE DWG. NO. C
 D7520024-

REV A2
 SHEET 1 OF 1