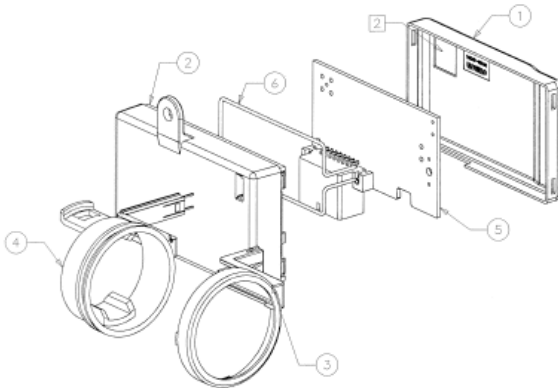
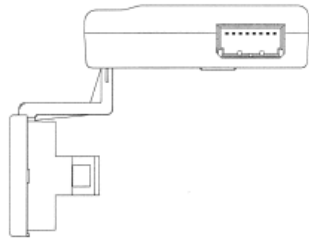


SERIAL NUMBER
 IT=DATA IDENTIFIER
 DM=SUPPLIER CODE
 FX=COMPONENT CODE
 DDD=DAY OF YEAR
 Y=LAST DIGIT OF YEAR
 O=SHIFT
 XXXX=SERIAL # (0001-9999)



-2 FCC ID: DUC60000362
 IC: 850K-60000362

NOTES:

- 1. COIL ASSEMBLY MUST BE FULLY SEATED TO THE CASE.
- 2. REMOTE START VERSION-S WILL HAVE PLASTIC PUNCHED OUT IN THIS LOCATION
- 3. IF UNIT PASSES ALL TESTS, LASER MARK AS SHOWN.
- 4. THIS PRODUCT IS TO USE LEAD-FREE SOLDER.

**PRINTED DOCUMENTS
ARE UNCONTROLLED**

REV.	DATE	BY	CHKD.	APP.	DATE
A	10/17/04	DM			

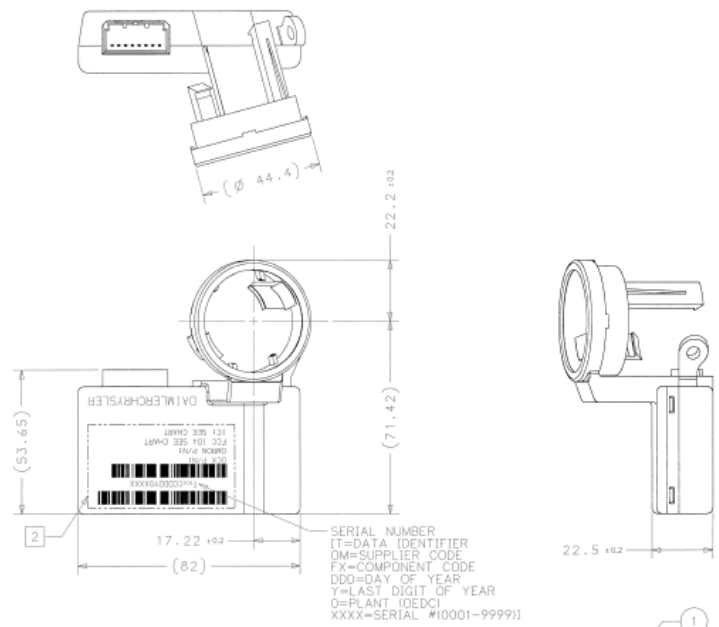
SPECIFICATION LIST	
Z9120033-	SCHEMATIC WCM
Z9220086-	PACKAGING WCM
Z9070029-0	INSPECTION WCM
Z9270019-0	SOFTWARE

ITEM	PART NO.	DESCRIPTION	QTY.	D7520023-5	D7520023-4	D7520023-3	D7520023-2	D7520023-1	D7520023-0
6	D1190002-0	WIRE,1005 STEEL Ø 1.2mm		1.8	1.8	1.8	1.8	1.8	1.8
	Z9020021-0	SPEC., WIRE ANTENNA							
5	D6000036-5	SUBASSEMBLY, PCB	1						
5	D6000036-4	SUBASSEMBLY, PCB		1					
5	D6000036-3	SUBASSEMBLY, PCB			1				
5	D6000036-2	SUBASSEMBLY, PCB				1			
5	D6000036-1	SUBASSEMBLY, PCB					1		
5	D6000036-0	SUBASSEMBLY, PCB						1	
4	D4970067-0	COIL					1		
4	D6200033-0	SUBASSEMBLY, COIL	1	1	1	1	1	1	1
3	D4970068-0	COIL COVER	1	1	1	1	1	1	1
2	D4970065-0	CASE	1	1	1	1	1	1	1
1	D4970066-0	COVER	1	1	1	1	1	1	1

ITEM	PART NO.	DESCRIPTION	QTY.
6	D1190002-0	WIRE,1005 STEEL Ø 1.2mm	
5	D6000036-5	SUBASSEMBLY, PCB	1
5	D6000036-4	SUBASSEMBLY, PCB	
5	D6000036-3	SUBASSEMBLY, PCB	
5	D6000036-2	SUBASSEMBLY, PCB	
5	D6000036-1	SUBASSEMBLY, PCB	
5	D6000036-0	SUBASSEMBLY, PCB	
4	D4970067-0	COIL	
4	D6200033-0	SUBASSEMBLY, COIL	1
3	D4970068-0	COIL COVER	1
2	D4970065-0	CASE	1
1	D4970066-0	COVER	1

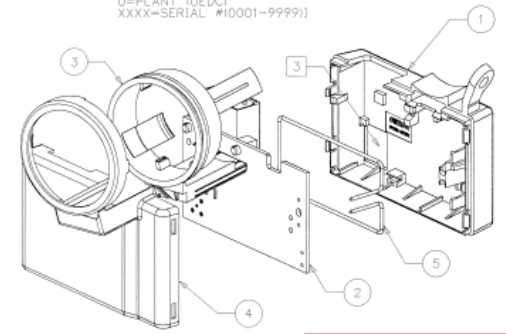
THIS DRAWING IS THE PROPERTY OF OMRON ELECTRONIC CORP. IT IS TO BE USED FOR THE MANUFACTURE OF THE PRODUCT SPECIFICALLY IDENTIFIED HEREON. IT IS NOT TO BE REPRODUCED OR TRANSMITTED IN ANY FORM OR BY ANY MEANS, ELECTRONIC OR MECHANICAL, INCLUDING PHOTOCOPYING, RECORDING, OR BY ANY INFORMATION STORAGE RETRIEVAL SYSTEM.	DIS. DOCUMENT CONTAINS DATA IN THE POSSESSION OF OMRON ELECTRONIC CORP. IT IS TO BE USED FOR THE MANUFACTURE OF THE PRODUCT SPECIFICALLY IDENTIFIED HEREON.	omron AUTOMATIC ELECTRONIC S.W. INC. 3700 DUNDAS ST. W. CHICAGO, IL 60634	COMPUTER GENERATED IN U.S.A.
SCALE: 1:1 DATE: 11-18-04 DRAWN: DM CHECKED: DM APPROVED: DM DATE: 11-18-04 TITLE: FINAL ASSEMBLY WCM - JS	SHEET NO. 1 OF 1 DATE: 11-18-04 SCALE: C	SIZE (mm) NO. D7520023- REV. A	SHEET 1 OF 1

REVISIONS				
REV.	DATE	BY	APP.	DESCRIPTION
A	10/17/04	NEW	DMG	DM



SPECIFICATION LIST	
Z9120033-	SCHEMATIC WCM
Z9220057-	PACKAGING WCM
Z9070029-0	INSPECTION WCM
Z9270019-0	SOFTWARE

-2 FCC ID: OUC60000362
IC: 850K-60000362



- NOTES:
1. COIL SUB-ASSEMBLY MUST BE FULLY SEATED TO THE CASE.
 2. IF UNIT PASSES ALL TESTS, LASER MARK AS SHOWN.
 3. IF D6000036-5 IS USED, A HOLE WILL BE PUNCHED INTO THE CASE TO ALLOW FOR THE FAKRA CONNECTOR.
 4. THIS PRODUCT IS TO USE LEAD-FREE SOLDER.

**PRINTED DOCUMENTS
ARE UNCONTROLLED**

ITEM	PART NO.	DESCRIPTION	QTY.				
			D7520032-5	D7520032-4	D7520032-3	D7520032-2	D7520032-1
5	D1190002-0	WIRE,1005 STEEL Ø 1.2mm	1.8				
	Z9020021-0	SPEC., WIRE ANTENNA					
4	D6000036-5	SUBASSEMBLY, PCB	1				
4	D6000036-4	SUBASSEMBLY, PCB		1			
4	D6000036-3	SUBASSEMBLY, PCB			1		
4	D6000036-2	SUBASSEMBLY, PCB				1	
4	D6000036-1	SUBASSEMBLY, PCB					1
4	D6000036-0	SUBASSEMBLY, PCB					1
3	D6200024-0	SUBASSEMBLY, COIL	1	1	1	1	1
3	D4970038-0	COIL				1	
2	D4970029-0	COVER	1	1	1	1	1
1	D4970028-0	CASE	1	1	1	1	1

OMRON
HONGKONG ELECTRONIC, INC.
3700 SHEWAN WAY, ST. CATHARINES, ONT. M3J 1Y4

SCALE: 1:1

DATE: 11-12-03

DATE: 12-01-05

SIZE: Dwg. No. D7520032- A

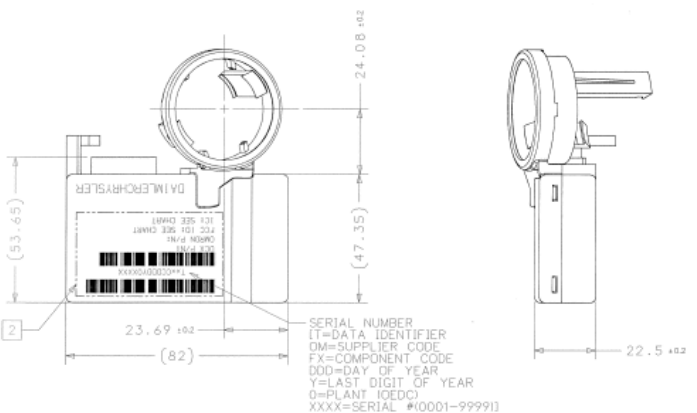
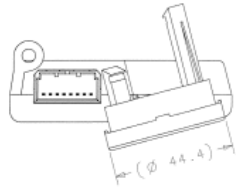
REV: 1

SHEET: 1 of 1

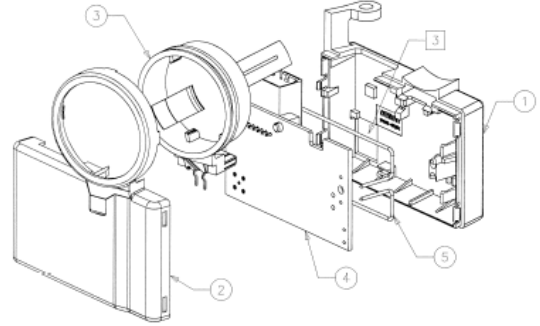
COMPUTER GENERATED I.D.W.

1 2 3 4 5 6 7 8

REV. NO.	REV. DATE	REV. BY	REV. REASON
A	10/17/04	DM	NEW DWG.



-2 FCC ID: 0JC6000362
IC: 850K-6000362



SPECIFICATION LIST	
Z9120033-	SCHEMATIC WCM
Z9220055-	PACKAGING WCM
Z9070029-0	INSPECTION WCM
Z9270019-0	SOFTWARE

ITEM	PART NO.	DESCRIPTION	QTY.	07520031-5	07520031-3	07520031-2	07520031-1	07520031-0
5	D1190002-0	WIRE,1005 STEEL ø1.2mm				1.8	1.8	1.8
	Z9020021-0	SPEC., WIRE ANTENNA						
4	D6000036-4	SUBASSEMBLY, PCB	1		1			
4	D6000036-3	SUBASSEMBLY, PCB						
4	D6000036-2	SUBASSEMBLY, PCB			1			
4	D6000036-1	SUBASSEMBLY, PCB				1		
4	D6000036-0	SUBASSEMBLY, PCB					1	
3	D6200023-0	SUBASSEMBLY, COIL	1	1	1	1	1	
3	D4970030-0	COIL			1			
2	D4970027-0	COVER	1	1	1	1	1	
1	D4970026-0	CASE	1	1	1	1	1	

- NOTES:
1. COIL SUB-ASSEMBLY MUST BE FULLY SEATED TO THE CASE.
 2. IF UNIT PASSES ALL TESTS, LASER MARK AS SHOWN.
 3. IF D6000036-5 IS USED, A HOLE WILL BE PUNCHED INTO THE CASE TO ALLOW FOR THE FAKRA CONNECTOR.
 4. THIS PRODUCT IS TO USE LEAD-FREE SOLDER.

PRINTED DOCUMENTS
ARE UNCONTROLLED

<p>THIRD ANGLE PROJECTION</p> <p>SCALE: 1:1</p> <p>TOLERANCES PER IT14</p> <p>UNLESS OTHERWISE SPECIFIED</p> <p>0-1 mm ± 0.10</p> <p>0.1-3 mm ± 0.05</p> <p>3-10 mm ± 0.10</p> <p>10-30 mm ± 0.15</p> <p>30-100 mm ± 0.20</p> <p>100-300 mm ± 0.30</p> <p>300-1000 mm ± 0.50</p> <p>ANGLES ± 0.05</p> <p>CENTERS ± 0.05</p>	<p>THIS DOCUMENT CONTAINS CONFIDENTIAL INFORMATION. IT IS THE PROPERTY OF OMRON AND IS TO BE KEPT UNCLASSIFIED BY ALL PERSONS TO WHOM IT IS LOANED. IT IS TO BE DESTROYED WITHOUT WRITTEN PERMISSION.</p> <p>DATE: 05-17-05</p> <p>DATE: 8-30-05</p> <p>DATE: 11-1-05</p>	<p>OMRON</p> <p>OMRON ELECTRONIC CORP.</p> <p>3700 SULLY DRIVE, SUITE 100, GAITHERSBURG, MD 20878</p> <p>COMPUTER GENERATED IN 10/17/04</p> <p>FINAL ASSEMBLY</p> <p>WCM - DR</p> <p>SIZE: 090 - 100 - C</p> <p>NO. 1</p> <p>SHEET 1 of 1</p>
---	---	--

1 2 3 4 5 6 7 8