

beurer _____ **PM**

Released without change
 Released after change
 Change and resubmit

04.07.2019 **LARO**

Date Signature

Distributed by / Distribuido por:

LIDL US TRADING, LLC · 3500 South Clark St.
Arlington · VA 22202 · USA

Manufactured for / Manufacturado para:

Beurer North America, LP · 1 Oakwood Boulevard
Suite 255 · Hollywood · FL 33020 · USA

Item No. / No. de artículo: 659.59

Made in / Hecho en: China

Last Information Update · Estado de
las informaciones: 05 / 2019 · Ident.-No.:
749.490_SBM69_2019-04-05_01_IM_Lidl_LB9_USA



IAN 326870

9



SILVER CREST®



UPPER ARM BLOOD PRESSURE MONITOR / TENSÍÓMETRO DE BRAZO

US-EN

UPPER ARM BLOOD PRESSURE MONITOR

Instructions for use and safety notes

US-ES

TENSÍÓMETRO DE BRAZO

Notas sobre el uso y la seguridad

IAN 326870

US

US-EN	Instructions for use and safety notes	Page	3
US-ES	Notas sobre el uso y la seguridad	Página	51

Signs and symbols	Page	5
Description of signal words	Page	5
Customer service	Page	6
List of pictograms used	Page	6
Introduction	Page	7
Intended use	Page	8
Improper use	Page	8
Parts description	Page	9
Scope of delivery	Page	11
Technical data	Page	11
Important safety notes	Page	14
Safety warnings for batteries	Page	27
Initial use	Page	30
Inserting / Replacing batteries	Page	30
App / web version of "HealthForYou"	Page	31
Configuring the date / time / <i>Bluetooth</i> [®]	Page	31
Measuring blood pressure	Page	33
Attaching the cuff	Page	33
Adopting the correct posture	Page	36
Selecting a memory	Page	37
Carrying out the blood pressure measurement	Page	38
Transferring measurements via <i>Bluetooth</i>[®]	Page	39
Evaluating measurements	Page	40
Risk indicator	Page	41

Saving, requesting and deleting measurements

Page43

Cleaning and care.....Page 44

Storage.....Page 45

Troubleshooting.....Page 46

Disposal.....Page 47

Three year limited warranty.....Page 47

● Signs and symbols

The following signs are used in the safety section and in these instructions for use.

CAREFULLY READ THIS ENTIRE MANUAL, THE SAFETY SECTION AND ALL INSTRUCTIONS AND WARNINGS BEFORE USING THIS PRODUCT. FOLLOW ALL SAFETY NOTES AND WARNINGS TO AVOID HAZARDOUS SITUATIONS AND TO ENSURE CORRECT PRODUCT USE.

The following terms indicate safety and property damage messages, and the hazard level.

DESCRIPTION OF SIGNAL WORDS

WARNING

WARNING indicates a hazardous situation that, if not avoided, could result in death or serious injury.

CAUTION

CAUTION indicates a hazardous situation that, if not avoided, could result in minor or moderate injury.

NOTICE

NOTICE indicates information considered important, but not hazard related (e.g. messages related to property damage).

CUSTOMER SERVICE



Call customer service at

1 (844) 543-5872



Visit the Website Customer Service Platform at

www.lidl.com/contact-us

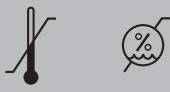



Visit a LIDL store for further assistance.

IAN 326870

Please have your IAN number ready.

List of pictograms used

	Safety note related to possible damage to the device / components
	Safety notes
	Instructions
	Observe instructions for use
	Direct current
Storage / Transport 	Permissible storage and transport temperature and humidity

	Permissible operating temperature and humidity
	Permissible storage, transport and operating air pressure
	Applied part, type BF
	Serial number
IP21	Device protected against foreign matter $\geq 0,49$ inch / 12.5 mm and against water falling vertically

Upper Arm Blood Pressure Monitor

● Introduction



Congratulations on your purchase. You have selected a quality product. The instructions for use are a part of the product. They contain important information about the safety, use and disposal of the product. Before using the product, please learn about all the safety information and usage instructions. Only use the product as described and for the specified applications. If you lend the product to someone else, please also give all the instructions.

● Intended use

This upper-arm blood pressure monitor is intended to measure and monitor the arterial blood pressure values and the heart rates of adults with an arm circumference of 8.7 in to 16.5 in (22 cm to 42 cm), in a non-invasive way.

Using this device, you can quickly and easily measure your blood pressure, save the measurements and display the progression and average of these measurements. You are warned in cases of pre-existing cardiac arrhythmia. The values determined are classified and evaluated graphically. Any use other than previously mentioned or any product modification is prohibited and may result in injuries and/or product damage. The manufacturer assumes no liability for damage arising out of improper use. The product is only intended for use in private environments (at home).

● Improper use

⚠ WARNING Failure to observe the following warnings may result in death or serious injuries.

- Do not use this product on newborns and preeclampsia patients. We recommend consulting your doctor before using the product if you are pregnant.
- The device is not suitable for use by patients with implanted electrical devices such as pacemakers or defibrillators.
- The measurements determined by you are only intended for your information - they do not replace a medical examination. Discuss the measurements with your doctor.

Do not self-diagnose or self-treat based on the measurement results without consulting your attending physician. Do not start new medication without consulting a doctor and do not modify the type and/or dosage of current medications.

- The product may not be used in conjunction with a high-frequency surgical unit.

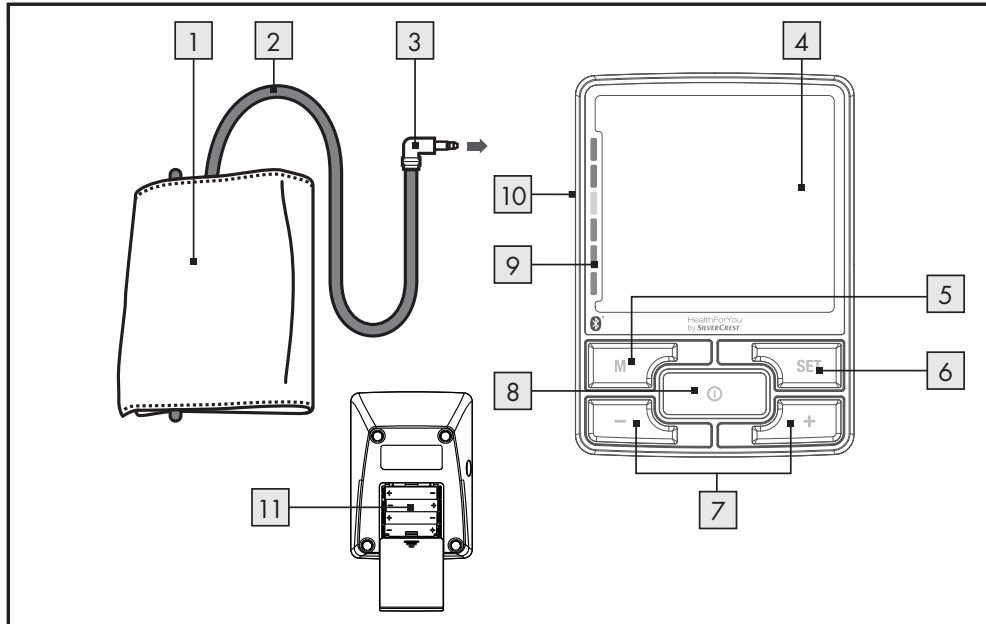
⚠ CAUTION Failure to observe the following warnings may result in injuries or property damage.

- Using the blood pressure monitor outside the domestic environment or under the influence of movement (e.g. whilst riding in cars, ambulances or helicopters as well as whilst practising physical activities such as sport) can impact the accuracy of the measurement and lead to measurement errors.




● Parts description

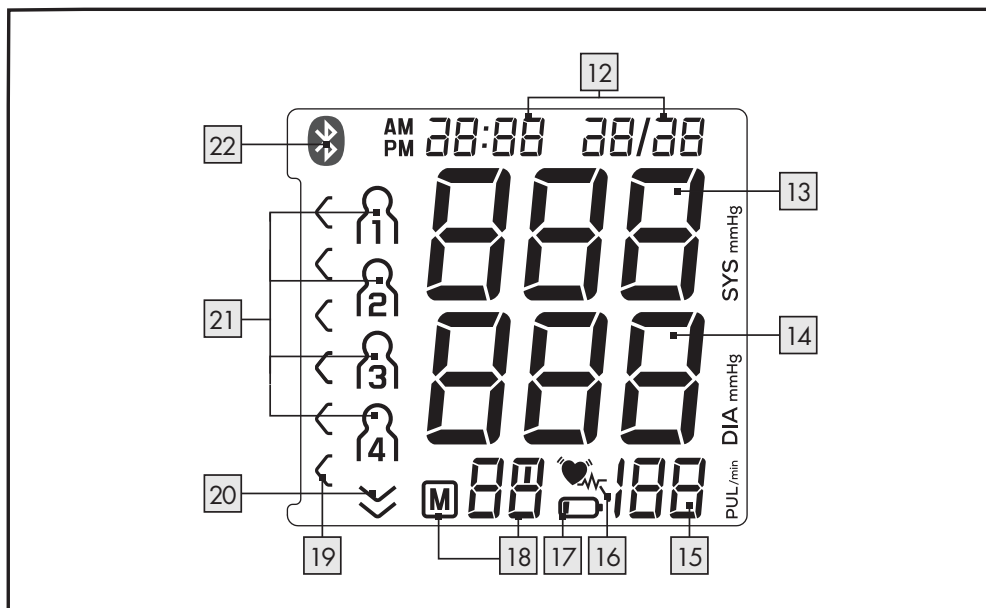
- 1 Cuff
- 2 Cuff tubing
- 3 Cuff plug
- 4 Display
- 5 Memory button M
- 6 Settings button SET
- 7 Function button -/+
- 8 START/STOP button ⓘ
- 9 Risk indicator

- 10 Connection for cuff plug
- 11 Battery compartment



Display indicators

- 12 Time and date
- 13 Systolic pressure
- 14 Diastolic pressure
- 15 Pulse value determined
- 16 Symbol for cardiac arrhythmia  Symbol for pulse 
- 17 Symbol for replace battery 
- 18 Memory display: Average value (A), morning (AM), evening (PM), number of the memory space
- 19 Risk indicator
- 20 Release air
- 21 User memory
- 22 Symbol for *Bluetooth*[®] transfer



● Scope of delivery

- 1 Upper arm blood pressure monitor
- 1 Upper arm cuff (Material no. 164.137) with cuff tubing
- 4 Batteries 1.5 V type AAA LR03
- 1 Instructions for use
- 1 Quick start guide

● Technical data

- Type: SBM 69
- Measuring method: Oscillometric, non-invasive blood pressure measurement on the upper arm
- Measurement range: Cuff pressure 0–299 mmHg,
systolic 60–230 mmHg,

Display accuracy:	diastolic 40–130 mmHg, pulse 40–199 beats per minute systolic ± 3 mmHg, diastolic ± 3 mmHg, pulse $\pm 5\%$ of the displayed value
Measurement uncertainty:	max. permissible standard deviation according to clinical testing: systolic 8 mmHg / diastolic 8 mmHg
Memory:	4 x 30 memory spaces
Dimensions:	L 5.44 in x W 3.944 in x H 2.01 in / L 138,2 mm x W 100,2 mm x H 51,0 mm
Cuff:	suitable for an arm circumference between 8.7 in / 22 cm and 16.5 in / 42 cm
Weight:	0.87 lb / 395 g (with cuff, without batteries)
Permissible operating conditions:	41 °F to 104 °F / +5 °C to +40 °C, 15 % to 90 % relative humidity (non-condensing), 700–1060 hPa ambient pressure
Permissible storage conditions:	- 4 °F to 140 °F / -20 °C to +60 °C, $\leq 93\%$ relative humidity
Power supply:	4 x 1.5 V AAA batteries

Product expected

lifespan: 5 years

Battery life: 225 measurements, depending on blood pressure level and inflation pressure / *Bluetooth*[®] transfer

Components: instructions for use, 4 x 1.5 V AAA LR03 batteries, storage pouch

Classification: Internal supply, IP21, no AP or APG, continuous operation, applied part Type BF

Data transfer via

Bluetooth[®]

wireless technology: The product uses *Bluetooth*[®] low energy technology, frequency band 2.402-2.480 GHz, maximum transmission power radiated in the frequency band < 4 dBm, compatible with *Bluetooth*[®] ≥ 4.0 smart phones / tablets



For a list of compatible smartphones, information about the "HealthForYou" app and software, as well as further details about the devices, please visit: www.healthforyou.lidl

System requirements of the "HealthForYou"

web version: - MS Internet Explorer
- MS Edge

SILVERCREST[®]

US-EN 13

- Mozilla Firefox
 - Google Chrome
 - Apple Safari
- (in the respective updated version)

System requirements
of the "HealthForYou"
app

iOS from Version ≥ 10.0 , Android™
from Version ≥ 5.0 , Bluetooth® ≥ 4.0 .

Technical specifications subject to change without notice
due to updates.



Important safety notes

⚠ WARNING Failure to observe the following
warnings may result in death or serious injuries.

- Consult your physician or pharmacist before starting to measure your blood pressure.
- Read and understand all instructions and warnings before using this device.
- Like any oscillometric blood pressure measurement devices, certain medical conditions can affect the measurement accuracy, among others:
 - disorder of the cardiac rhythm
 - very low blood pressure
 - patients in shock
 - patients with very low blood perfusion
 - diabetes

- vessel anomalies
- people with electrical implants, such as a cardiac pacemaker
- women who are pregnant.
- Due to their condition the oscillometric measurement method can produce incorrect readings. This represents a risk for your health, since values may be interpreted incorrectly. Always consult your physician to determine what will be suitable for you.
- This product does not and is not intended to provide a medical diagnosis. Measurements results are for reference only. Self-diagnosis and treatment, e.g. regarding medication, using measured results represent a risk for your health. Always consult with a licensed physician for determination of appropriate medication and dosage thereof. Follow the instructions of your physician or licensed healthcare provider. If you have or suspect that you have a medical problem, promptly consult your physician. If you have an emergency please call 911 immediately.
- Only a physician or a trained health care professional who is familiar with your medical history is able to accurately interpret your blood pressure measurements. Consult your physician before starting blood pressure monitoring.
- This product is not intended to serve as a substitute for the advice of a physician or medical professional. This product is not intended to substitute for regular medical checkups. Contact your physician for specific information about your blood pressure.

- Please note that technically related measuring tolerances are possible. Please see section “Technical data” for details.
Note: A single measurement does not provide an accurate indication of your true blood pressure. You need to take and record several readings over a period of time. Try to measure your blood pressure at the same time each day for consistency.
- Any cuff related blood pressure measurement in high repetition rates, can lead to severe measurement side effects, e.g.
 - any nerv compression with temporary arm/ hand paralysis
 - the release of an arterial or venous thrombus, which can cause a life threatening situation.
- Please contact your physician about the specific risks of cuff pressure in your specific case.
- The ‘irregular heartbeat’ function does not replace a cardiac examination, but may help to detect potential pulse irregularities at an early stage. Always consult your physician to determine what will be suitable for you.
- The ‘irregular heartbeat’ function is not designed for diagnosing or treating an arrhythmic disorder. Arrhythmia can only be ascertained by a licensed physician.
- The JNC chart is not intended to replace a medical diagnosis. This chart is only a reference for different classifications of blood pressure.

- If you notice abnormal or suspicious variations in blood pressure measurements, consult your physician immediately.
- Women who underwent a breast or axillar lymph node removal operation should consult a physician or licensed healthcare provider before starting blood pressure measurements.
- Prior to use, you have to ensure that the blood pressure monitor is free of damage. If in doubt, do not use the unit and contact customer service at 1-800-536-0366.
- This device is intended only for personal, non-commercial, adult use in measuring blood pressure and pulse rate. Do not use the product for any other purpose. This product is not intended for use in a hospital, physician's office, or any other health care facility.
- The unit must be used in accordance to the specified ambient conditions, otherwise the accuracy of readings might be affected. See section "Cleaning and care" and section "Technical data" for details.
- Do not wrap the cuff around body parts other than your arm. Misuse represents a risk to your health.
- Please do not share the cuff with other persons, to avoid cross infection.
- Use this monitor only on humans.
- This product is not intended for use by or on children, toddlers and infants or on persons who cannot express their consent, e.g. persons with mental disorders or the like. Consult your physician for alternative methods of measuring a child's blood pressure.

- This product is not a toy. Keep it out of reach of children, toddlers, and infants.
- Keep the product out of the reach of pets.
- Packaging materials are a deadly hazard for children and can cause suffocation. Remove all packaging materials immediately and keep them away from children at all times.
- This product contains small parts that may present a choking hazard to children. Keep the unit and all parts out of reach of children. NEVER LEAVE CHILDREN OR THOSE WHO REQUIRE CLOSE SUPERVISION UNATTENDED WITH THIS DEVICE.
- The tubing presents a strangulation hazard. Keep this product away from children and those who require close supervision, e.g. people with mental disorders. NEVER LEAVE CHILDREN OR THOSE WHO REQUIRE CLOSE SUPERVISION UNATTENDED WITH THIS DEVICE.
- Do not drape tube around neck. This presents a strangulation hazard.
- People with disabilities, activity limitations, or who are physically frail, should be assisted by another person when using this unit.
- Proper cuff size is important for accurate measurements. Only use the device on adults who have the right upper arm circumference for this instrument. See section "Technical data" for suitable upper arm circumferences.
- Do not use any cuffs, tubes, parts and accessories other than those explicitly recommended by the manufacturer for use with this product. Parts and accessories not

approved for use with the device may cause damage to your health and to the product.

- Electromagnetic interference: Avoid strong electrical or electromagnetic fields in the direct vicinity of the device (e.g. mobile telephones, microwave ovens) while it is in operation, as inaccurate measurements may result. To prevent such interference, use the unit at a sufficient distance from such devices or turn the devices off.
- Do not measure your blood pressure while operating a vehicle or in any situation which requires your full attention.
- During the blood pressure measurement, blood circulation must not be stopped for an unnecessarily long time. If the device malfunctions, remove the cuff from the arm.
- Avoid any mechanical restriction, compression or bending of the cuff line.
- Do not allow sustained pressure in the cuff or frequent measurements. The resulting restriction of the blood flow may cause injury.
- Ensure that the cuff is not placed on an arm in which the arteries or veins are undergoing medical treatment, e.g. intravascular access or therapy, or an arteriovenous (AV) shunt.
- Do not use the cuff on people who have undergone a mastectomy.
- This device is not intended to be used by persons with limited physical, sensory or mental abilities or lacking experience and/or knowledge unless supervised or instructed on its use by an person responsible for their

safety. Children should be supervised to ensure they do not play with the device.

- Cardiovascular system diseases may result in incorrect measurements and/or impairments to the device's measurement accuracy. This is also the case when it comes to low blood pressure, diabetes, circulatory problems and dysrhythmia, as well as chills and shaking.
- Ensure that the cuff is not placed on an arm whose arteries or veins are undergoing medical treatment, i.e. intravascular access or intravascular therapy or an arteriovenous (A-V) shunt.
- Only place the cuff on the upper arm. Do not place the cuff on other body parts.

Attention: The device may only be used in conjunction with the original cuff provided.

⚠ CAUTION Failure to observe the following warnings may result in injuries or property damage.

- The device should not be used when your arm has been wounded/injured or when a catheter has been inserted. Such use may result in injury.
- Remove any kind of arm jewelry or the like before taking a measurement. This could cause bruises.
- Do not place the cuff over heavy clothing (e.g. a jacket or sweater sleeve) as the blood pressure monitor will not be able to take a proper measurement and there is an elevated danger of acquiring hematoma or skin marks during the course of the measurement.

- In case the cuff does not stop inflating, interrupt the measurement by pressing the start/stop button and open the cuff at once.
- Do not disassemble the unit, it may result in injuries.
- When applying the cuff, make sure there are no wrinkles in the cuff. This could cause bruises.
- Do not exert any kind of pressure on the hose during measurement, e.g. laying your arms or any other object on the hose. This could cause incorrect measurements.
- Blood pressure measurements can lead to temporary marks on the skin at the site of the cuff placement. This is especially the case in high repetition rates, in hypertonic patients and in patients with weak pulses. In rare cases a mark may persist for a couple of days. Please contact your physician about these specific risks of cuff pressure in your specific case.
- For hygienic reasons the cuff is intended only for the use by one person.
- Prolonged over-inflation (cuff pressure exceeds 300 mmHg or maintained above 15 mmHg for longer than 3 minutes) of the bladder may cause ecchymoma of your arm.
- Please note that when inflating, the functions of the limb in question may be impaired.
- Do not place the cuff over wounds as this may cause further injury.
- The accuracy of any blood pressure measurement with this device can be affected by a multitude of causes. Some can be avoided some have to be accepted at the time of measurement. Speak with your physician about possible causes affecting your blood pressure.

- Do not inflate the cuff unless wrapped around arm.
- Do not touch the unit, the tube and cuff and/or press any buttons when measurement is in progress, except for stopping the measurement. Doing so may cause incorrect readings.
- Blood circulation should not be restricted by the blood pressure measurement for an unnecessary amount of time. Remove the cuff from the arm if the device malfunctions.
- Avoid sustained pressure to the cuff, as well as frequent measurements. The resulting curtailing of the blood flow can lead to injuries.

NOTICE

Potential damage to the device! The blood pressure monitor is made up of precision components and electronic components. The accuracy of the measurements and the service life of the device depend on the device being used with a due amount of care:

- The blood pressure monitor is made up of precision electronic components. Accuracy of readings and the instrument's service life depend on careful handling. Protect the unit against hard knocks (e.g. dropping the unit), moisture, water, dirt, dust, chemicals, extreme hot or cold temperatures, major temperature fluctuations, direct exposure to sunlight and heat sources which are too close (e.g. stoves, heating radiators). This may damage the unit. The device must be stored in the specified

ambient conditions. Please see section “Cleaning and care” and section “Technical data” for details.

- Do not use any aggressive solvents, cleaning agents, detergents or any other strong chemicals to clean the device.
- Never immerse and or spill water or any other liquid onto the monitor or any components, otherwise liquid will enter it and cause damage.
- Do not wash the unit in a washing machine, dish washer or tumble dryer.
- Observe the local regulations for material disposal. Dispose of the device, components and optional accessories according to applicable local regulations. Unlawful disposal may cause environmental pollution.
- Never attempt to repair, open and/or disassemble the unit (including cuff and optional accessory) or adjust it yourself. This may damage the unit and impair the functions. If you need to have the unit repaired, please contact our customer service. Please see warranty for service contact. Before submitting any complaint, first check the batteries and replace them if necessary.
- Changes or modifications to the device will nullify the user warranty.
- Do not drop or insert any object into any opening or hose. This may damage the unit.
- Do not press the buttons with excessive force or with pointed objects.
- To conserve the batteries, the monitor switches off automatically if no buttons are pressed for one minute.

- The device is only intended for the purpose described in these instructions for use. The manufacturer is not liable for damage resulting from improper or careless use.
- If you are using the unit for the first time, please remove the protective film from the display.
- The monitor can maintain the safety and performance characteristics for a minimum of 10.000 measurements or 3 years.
- Further documents which include information for the Calibration of the device can be asked at the service address.
- The device can be tested in case of supposed inaccuracy every two years. Please contact the nearest service address.
- To keep your digital blood pressure monitor in the best condition and protect the unit from damage follow the directions listed below:
- Clean your device and cuff carefully only with a slightly moistened soft cloth and dry it immediately with a soft dry cloth. Do not press.
- When storing the device, make sure that no heavy objects are placed on top of it.
- Do not fold the cuff and tubing tightly. The cuff tube should not have any sharp kinks and keep it away from sharp edges.
- If the unit is stored near freezing, allow it to acclimate to room temperature before use.
- Always store the unit in its storage bag after use.

- This unit may not meet its performance specifications if stored or used outside of the temperature and humidity ranges (see section “Technical data”).
- Use the unit consistent with the instruction provided in this manual.

FCC Compliance Information

FCC ID: OU9SBM69-B01

- Changes or modifications to this product not expressly approved by the party responsible for compliance could void the user’s authority to operate the product.
Note: This product has been tested and complies with the limits for a Class B digital device, pursuant to Part 15 of the FCC Rules. These limits are designed to provide reasonable protection against harmful interference in a residential installation. This product generates, uses and can radiate radio frequency energy and, if not installed and used in accordance with the instructions, may cause harmful interference to radio communications. However, there is no guarantee that interference will not occur in a particular installation. If this product causes harmful interference to radio or television reception, which can be determined by turning the product off and on, the user is encouraged to try and correct the interference by one or more of the following measures:
 - Reorient or relocate the receiving antenna.
 - Increase the separation between the equipment and receiver.
 - Connect the product into an outlet on a circuit different from that to which the receiver is connected.

- Consult the dealer or an experienced radio / TV technician for help.

Advice on use

- For consistency, always measure your blood pressure at the same time each day.
- Always wait at least 5 minutes before starting the initial measurement to allow the blood circulation in your arm to return to normal. You may need to increase the wait time depending on your individual physiological characteristics. Because of normal physiologic changes and the many external factors influencing blood pressure, it is unusual to obtain identical blood pressure measurements, even when taken a few minutes apart. Speak with your physician to determine what is affecting your blood pressure and which variation may be seen as normal in your case.
- When performing multiple measurements on an individual, wait at least one minute between each measurement.
- Do not take a measurement within 30 minutes of eating, drinking, smoking or exercising. You should not be physically tired or exhausted while taking measurement.
- Repeat the measurement if you are unsure of the results.
- Measurements are for your information only – they are no substitute for a medical examination. Discuss the measurements with your doctor and never base any medical decisions on them (e.g. medicines and their administration).
- Do not use the blood pressure monitor on newborns, pregnant women or patients with pre-eclampsia. Consult your doctor before using the blood pressure monitor during pregnancy.

- Cardiovascular diseases may lead to incorrect measurements or have a detrimental effect on measurement accuracy. The same also applies to very low blood pressure, diabetes, circulatory disorders and arrhythmias as well as chills or shaking.
- For reliable monitoring and reference of blood pressure, keeping long-term records is recommended.
- To minimize measurement variations due to physical activity, rest at least 5 minutes before measuring your blood pressure (or 15 minutes after strenuous activity).
- Stress raises blood pressure.
- Perform measurements in a quiet and relaxed environment at room temperature.
 - i. The device requires no calibration.
 - ii. No modification of this equipment is allowed.
 - iii. The user must check that the equipment functions safely and see that it is in proper working condition before being used.
 - iv. The manufacturer does not require such preventive inspections by other persons.
 - v. Manufacturer will provide circuit diagrams, component part lists, descriptions, calibration instructions to assist to SERVICE PERSONNEL in parts repair.
 - vi. Don't kink the connection tube during use, otherwise, the cuff pressure may continuously increase
 - vii. Pressurization of the CUFF can temporarily cause loss of function of simultaneously used monitoring ME EQUIPMENT on the same limb



Safety warnings for batteries

- When used correctly, cells and batteries provide a safe and dependable source of portable power. However, if they are misused or abused, this may result in leakage, burns, fire, or explosion.
- Store batteries in a dry place at room temperature. Batteries are sensitive to high and low temperatures. Such thermal exposure may lead to leakage, fire, or explosion.

- Keep cells and batteries out of reach of children, especially small batteries. Ingestion may lead to choking or acute and serious personal injury.
- Keep cells or batteries clean and dry both during use and storage. Wipe metal terminals with a soft, dry cloth if they become dirty.
- Immediately seek medical attention if a cell or battery has been swallowed. Also, contact your local poison control center.
- In the event that the electrolyte comes into contact with the skin or eyes, immediately flush with fresh water for at least 15 minutes and seek medical attention.
- Store unused batteries in their original packaging or in safe place and away from metal objects that may short-circuit them.
- Exercise care in handling batteries in order to prevent shorting with conducting materials, such as rings, coins, bracelets, and keys. The battery or the conductor can overheat and cause burns, leakage, fire, or explosion.
- Clean the battery contacts and also those of the product prior to battery installation. Keep the contacts clean.
- Remove batteries from the product that will not be used for an extended period of time (months or longer).
- Remove discharged batteries from product promptly to avoid possible damage from leakage.
- Choose the proper battery for the intended application.
- Always take care to correctly insert batteries observing (+) and (-) polarity marks on the battery and the product for which it is intended. Proper polarity must be observed to avoid damage to either product or batteries.

- Always replace the whole set of batteries at one time, taking care not to mix old and new ones, or batteries of different types, capacities, or manufacturers.
- Never heat batteries in order to revive them.

⚠ WARNING

Never charge a battery unless the battery label specifically states the battery is rechargeable. Charging a non-rechargeable battery, may result in leakage, fire, or explosion.

- Do not open or mutilate a battery or cell. Electrolyte from the cell is corrosive and can cause damage to the eyes or skin. The cell contents can also be hazardous if ingested.
- Do not drop or subject the cell or battery to strong mechanical shock.
- Batteries should not be disassembled, crushed, punctured, or otherwise mutilated. Such abuses may result in leakage, fire, or explosion.
- Do not dispose of the battery in a fire. Failure to observe this precaution may result in an explosion.
- Dispose of batteries properly and in accordance with government regulations.

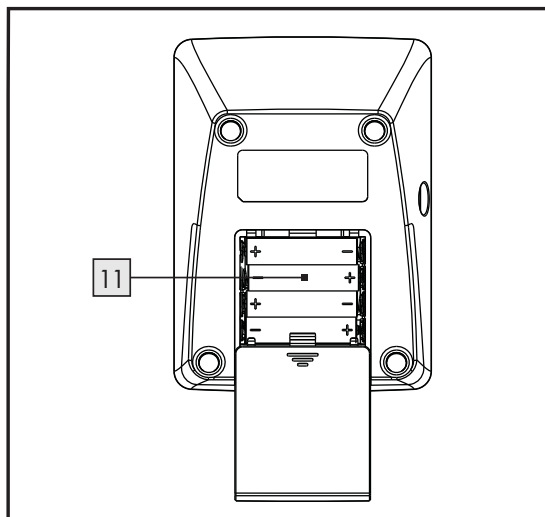
SAVE THESE INSTRUCTIONS

● Initial use

- Verify the parts listed in the scope of delivery are complete.
- Remove all packaging material.

● **Inserting / Replacing batteries**

- Slide the battery cover off the battery compartment **11**
- Insert the four type 1.5 V AAA (Alkaline type LR03) batteries (with the correct polarity) into the device. Please note the marking inside the battery compartment.



- Carefully close the battery cover on the battery compartment **11**.
- Do not use rechargeable batteries.
Note: If the battery indicator **17** is displayed continuously, measurement is not possible and you must replace all of the batteries with new batteries. As soon as the batteries have been removed from the device, the date and time will be reset.

- All display elements will be displayed briefly and “12h” will flash on the display. Configure the date, time and *Bluetooth*[®] (see “Configuring date / time / *Bluetooth*[®]”).

● App / web version of “HealthForYou”

Download the free app “HealthForYou” from the Apple App Store and Google Play.

- Follow the installation instructions on the screen.
- Alternatively, you can also visit the website www.healthforyou.lidl. Here you will be able to enter measurements and find guidance for assessment.



● Configuring the date / time / *Bluetooth*[®]

- Configure the date, hour format and time. It is only in this way that you will be able to correctly save these measurements with the date and time and request them later on.

① The settings menu can be accessed in two different ways:









Before first use and after every battery change:

- When you insert batteries into the device, you will automatically arrive at the relevant menu.

If batteries have already been inserted:

- On the **switched-off** device, hold the settings button SET  pressed for 5 seconds.

Now proceed as follows:

- The time format will flash. Use the function buttons -/+  to set the format to 12-hour or 24-hour. Press the SET button  to confirm. The year will flash.
- Use the function buttons -/+  to set the year. Press the SET button  to confirm. The month will flash.
- Use the function buttons -/+  to set the month. Press the SET button  to confirm.
- Configure the day, hour and minute consecutively as described above. Press the SET  button to confirm each entry.
The *Bluetooth*[®] symbol will be shown on the display. "On" or "Off" will flash at the same time.
- Using the function buttons "-/+ ", choose whether you want to activate ("On" flashes) or deactivate ("Off" flashes) *Bluetooth*[®] data transfer. Press the SET button  to confirm.

If *Bluetooth*[®] is activated ("On") data transfer will begin automatically after the measurement has been taken.

Note: The battery life is reduced by transfer via *Bluetooth*[®].

● **Measuring blood pressure**

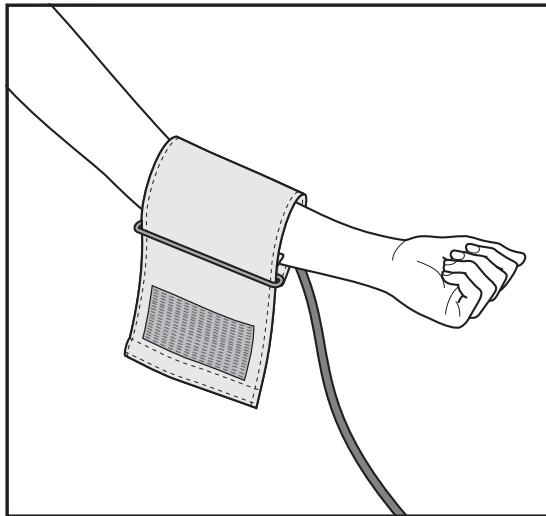
Note: To guarantee that you will be able to compare values adequately, always measure your blood pressure at the same time of day.

- You should not eat, drink, smoke or be physically active in the 30 minutes before each measurement.
- Before taking the first blood pressure measurement, always rest for 5 minutes!
- Furthermore, if you wish to take multiple measurements one after the other, always wait at least 1 minute between each measurement.
- Repeat the measurement process if the measured values seem incorrect.
- Bring the device to room temperature before the measurement.

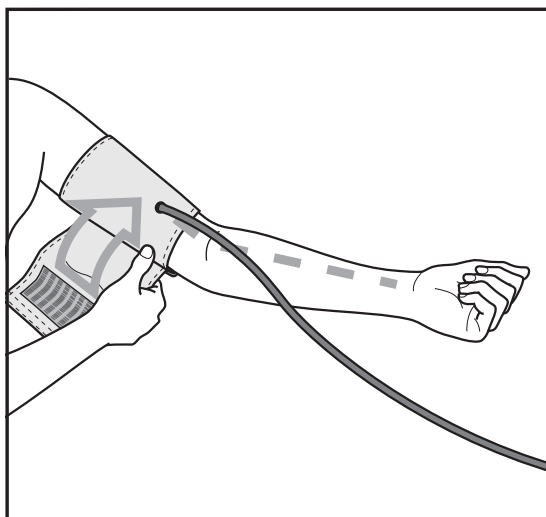
● **Attaching the cuff**

NOTICE

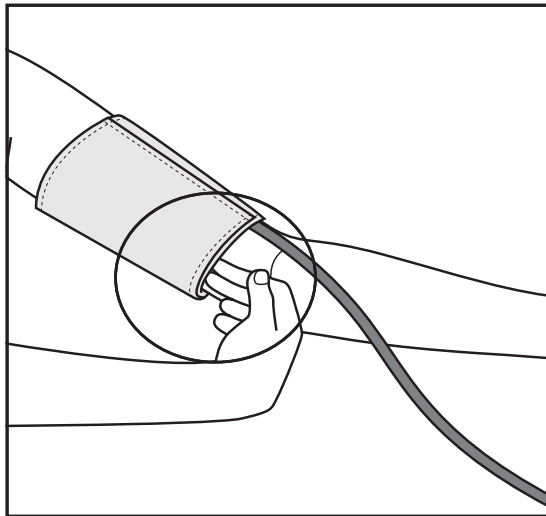
- The device may only be used in conjunction with the original cuff provided. The cuff is suitable for an upper arm circumference of between 8.7in and 16.5in/22 cm and 42 cm.
- Place the cuff **1** on a bare upper arm. The blood flow of the arm should not be constricted by clothing etc. which is too tight.



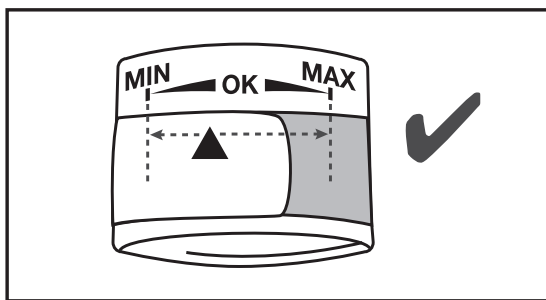
- The cuff **1** should be placed on the upper arm in such a way that the lower edge lies 0.79 in to 1.19 in / 2 cm – 3 cm over the crook of the arm and the artery. The cuff tubing **2** points to the centre of the palm.
- Place the free end of the cuff **1** closely, but not too tightly, around the arm and close the Velcro strip. The cuff **1** should not be too tight.



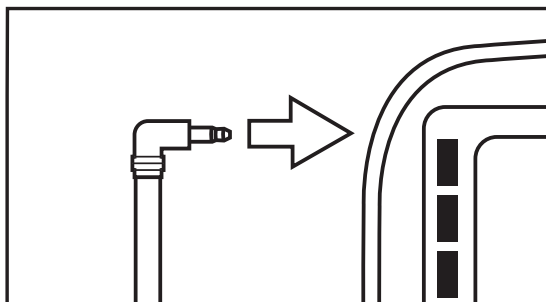
- Check that two fingers can still fit beneath the cuff **1**.



- This cuff is suitable for you if, after putting it on, the index marker (▼) falls within the OK area.



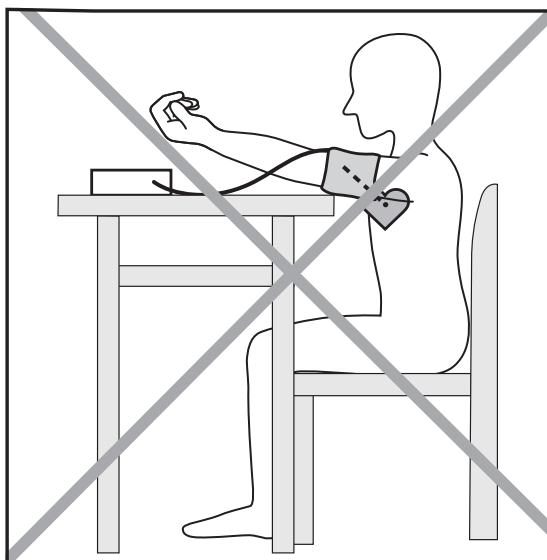
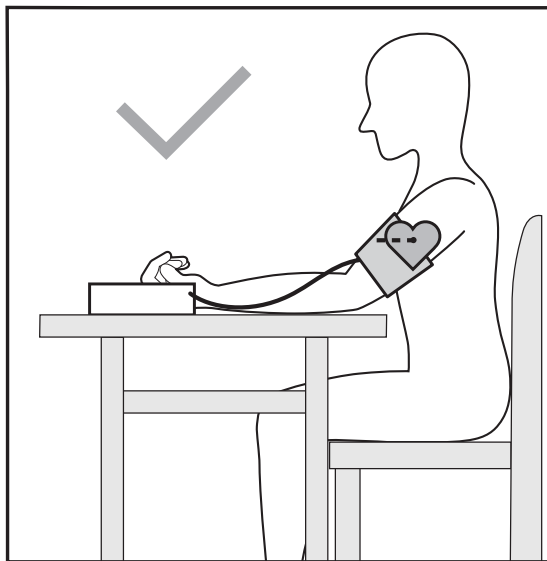
- Now insert the cuff tubing **2** with the cuff plug **3** into the connector.

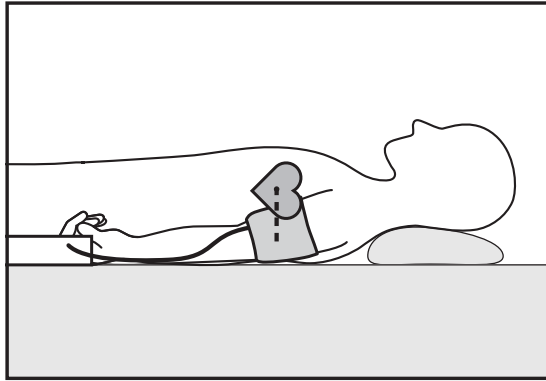


● Adopting the correct posture

Note: Stay still during the measurement process and do not talk to prevent the measurement result from being falsified.

- You can carry out the measurement while sitting or lying down. Always ensure that the cuff **1** is at the same level as the heart.






- Sit comfortably for the blood pressure measurement. Recline your back and arms. Do not cross your legs. Put your feet flat on the ground.
- In order not to falsify the measurement result, it is important that you stay still and do not talk.


● **Selecting a memory**

- Press the SET button **6**. Select the desired user memory **1** ... **4** **21** by pressing the function buttons **-/+** **7**. You have 4 memories with 30 memory spaces for saving the measurement results of 4 different people separately.
- Confirm your choice using the START / STOP button **1** **8** or wait 3 seconds. Your choice will then be saved automatically.

● Carrying out the blood pressure measurement

- Place the cuff on your arm as previously described and assume the position in which you wish to carry out the measurement.
- Switch on the blood pressure monitor using the START / STOP button .

After the full-screen display, the last measurement result saved will be displayed. If no measurement has been saved, the device will display the value of "0".

After 5 seconds, the blood pressure monitor will begin with the measurement by pumping up the cuff. The measurement is taken while the cuff is being pumped up. As soon as a pulse has been detected, the pulse symbol  will be displayed. After this, the cuff air pressure will be released again.

The measurement results for systolic pressure, diastolic pressure and pulse will be displayed.

- You can stop the measurement at any time by pressing the START / STOP button .

If the measurement has not been carried out correctly, "Er_" will be displayed (see "Troubleshooting" also). Repeat the measurement process in the event that this happens.

The measurement result will be saved automatically.

If you have activated *Bluetooth*[®] data transfer, the data will be transferred. The blood pressure monitor displays the symbol for *Bluetooth*[®] transfer during transfer. Switch the blood pressure monitor off by pressing the START / STOP button once more.

- To power down press the START / STOP button ① 8.
Note: The device switches off automatically after one minute if no button has been pressed. Wait for at least one minute before taking another measurement!

● **Transferring measurements via Bluetooth®**

You have the option of transferring the measured values and values saved on your device to your smartphone using *Bluetooth®* low energy technology.

- Activate *Bluetooth®* in your smartphone settings and open the "HealthForYou" app.
Note: The "HealthForYou" app must be open for transfer to occur.
- Add "SBM69" in the app.
- When connecting for the first time, a randomly generated six-digit PIN code will be displayed on the device over two lines. At the same time, an entry field will appear on your smartphone where you should enter this six digit code. When you have entered it correctly, the device is connected with your smartphone and you can begin to transfer your measurement values.



⚠ WARNING The displayed values are intended merely as a visualisation and may not be used as the basis for therapeutic measures. The software is not part of a diagnostic medical system.

Note: During data transfer, button functions cannot be executed.

To transfer measurements to your smartphone via *Bluetooth*[®] proceed as follows:

Manual transfer

Go to save mode (see “Saving, requesting and deleting measurements”). As soon as the average value of all measurements is displayed, a *Bluetooth*[®] connection will automatically be established. The data will be transferred and the *Bluetooth*[®] symbol will be shown on the display.


- Switch the blood pressure monitor off by pressing the START / STOP button  .

Automatic transfer


If you forget to switch off the blood pressure monitor, it will automatically switch off after one minute. In this case, the value will be saved in the selected user memory and the data will be transferred if *Bluetooth*[®] data transfer has been activated. The *Bluetooth*[®] symbol will be shown on the display during transfer.


● Evaluating measurements

Cardiac arrhythmia

This device can identify any potential cardiac arrhythmia disorders and, if necessary, indicates this after the measurement process with the symbol . This can be an indicator for arrhythmia.

Arrhythmia is an illness in which the heart rhythm is abnormal due to errors in the bioelectric system, which controls the heartbeat. The symptoms (skipped or premature heartbeats, slow or rapid pulse) can stem from heart conditions, age, physical predispositions, an excess of luxury foods, stress or a lack of sleep. Arrhythmia can only be diagnosed by a doctor after a physical examination.

- Repeat the measurement process if the symbol  is shown on the display after the measurement. Please make sure that you rest for a minute before the measurement and do not talk or move during it.

⚠ WARNING If the symbol  is displayed repeatedly, contact your doctor. Self-diagnosis and self-treatment on the basis of measurement results can be dangerous. Follow your doctor's instructions.

● Risk indicator

In accordance with the guidelines/ definitions provided by the Joint National Committee (JNC) and the latest findings, the measurement results can be classified and evaluated according to the following table:

Stages of blood pressure levels	Systolic (mmHg)	Diastole (mmHg)	Color	Measure
Stage 2 Hypertension	≥ 180	≥ 110	Red	Seek medical advice
	160-179	100-109	Red	Seek medical advice
Stage 1 Hypertension	140-159	90-99	Red	Have it checked regularly by doctor
Pre-hypertension	130-139	85-89	Yellow	Have it checked regularly by doctor
	120-129	80-84	Green	Check it yourself
Normal	< 120	< 80	Green	Check it yourself

Source: U.S. Department of Health and Human Service, JNC7 (2004), adapted

⚠ WARNING

The JNC chart is not intended to replace a medical diagnosis. This chart is only a reference for different classifications of blood pressure.

Note: These standard values merely serve as a general guideline as blood pressure deviates depending on the individual, different age groups, etc.

It is important that you consult your doctor at regular intervals. Your doctor will give you your particular values for normal blood pressure as well as the value for when your blood pressure is classified as dangerous.

The bar chart on the display and the scale on the device state which range the blood pressure measured is in.


If the values for systolic and diastolic pressure are in two different JNC ranges (e.g. systolic in the Stage 1 Hypertension range and diastolic pressure in the normal range) the graphic JNC classification on the unit indicates the higher range (Stage 1 Hypertension in the example described).

● **Saving, requesting and deleting measurements**

The results of each successful measurement are saved together with the date and time. If there are over 30 measurement values, the oldest measurement value will be overwritten.


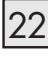

- Press the SET button **6**. Press the function buttons **-/+ 7** to select the desired user memory **1** ... **4**. Confirm your choice using the START / STOP button **1 8**.
- Press the memory button **M 5** to display the average value "A" of all saved measurements pertaining to the user memory. Press the memory button **M 5** again to display the average value of the last 7 days for the morning measurement. (Morning: 5.00 am - 9.00 am, display "AM"). Press the memory button **M 5** again to display the average value of the last 7 days for the evening measurement. (Evening: 6 pm - 8 pm, display

"PM"). By pressing the memory button M again, the last individual measurement will be displayed with the date and time.

- Press the START / STOP button   to switch off the device.

Note: The device switches off automatically after one minute when no button has been pressed.


Deleting data

- To delete the memory of the selected user, press the memory button M  when the device is switched off.
- The average value of all measurements will appear on the display. Next to this, "A" and the *Bluetooth*[®] transfer symbol  will flash.
- Keep the function buttons -/+  pressed simultaneously for 5 seconds.
- After successful deletion, "CL 00" will appear in the display.

The data has been deleted.

● Cleaning and care

NOTICE Possible property damage! Never hold the product under water as liquid could enter the product and damage it.


- Clean the device and cuff  carefully using a slightly damp cloth.
- Do not use cleaners or solvents.

● Storage

NOTICE Possible property damage! Do not place any heavy objects on the device and cuff **1**.

- If the product will not be used for more than one month, remove both batteries from the device to prevent possible battery leakage.
- Do not kink the cuff tubing **2**.
- Store the product in a dry location (relative humidity $\leq 93\%$). High humidity can shorten the service life or damage the product. Store the product in a location with ambient temperatures between $-4\text{ }^{\circ}\text{F}$ and $140\text{ }^{\circ}\text{F}$ / $-20\text{ }^{\circ}\text{C}$ and $+60\text{ }^{\circ}\text{C}$.

● Troubleshooting

Trouble-shooting	Problem	Solution
Er1	The pulse cannot be measured correctly.	Repeat the measurement process. Be sure not to move or talk.
Er2	You have been talking or moving during the measurement process.	
Er3	The cuff was attached too tightly or too loosely.	
Er4	An error occurred during the measurement process.	
Er5	The pump-up pressure is higher than 300 mmHg or the blood pressure measurement falls outside of the measuring range.	
Er6 	The batteries are almost dead.	Reinsert the batteries or replace them with new batteries.
Er7	Data cannot be sent via <i>Bluetooth</i> [®] .	Activate <i>Bluetooth</i> [®] on your smartphone and start the "HealthForYou" app.
Er8	A device error has occurred.	Repeat the measurement process. Be sure not to move or talk.

● Disposal

Observe the local regulations for material disposal. Dispose of the device in accordance with local regulations. If you have any questions, please contact the local authorities responsible for waste disposal.

● Three year limited warranty

What does this warranty cover?

The warranty covers:

- Damage, breakage or inoperability due to defect.
- Damage not caused by normal wear and tear or failure to follow the safety and maintenance instructions provided in the user manual.

What is not covered by the warranty?

The warranty does not cover damage caused by:

- Normal wear and tear of the product, including fragile parts (such as switches, glass, etc.);
- Improper use or transport;
- Disregarding safety and maintenance instructions;
- Accidents or acts of nature (e.g. lightning, fire, water, etc.);
- Tampering with the product (such as removing cover, unscrewing screws etc.).

Consequential and incidental damages are also not covered under this warranty. However, some states do not allow the

exclusion or limitation of incidental or consequential damages, so this limitation or exclusion may not apply to you.

What is the period of coverage and warranty resolution?

The warranty is for 3 years from the date of purchase. At our discretion, product will either be refunded or replaced.

What will we not do?

We will not:

- Start a new warranty period upon product exchange;
- Repair product.

How to process the warranty?

To initiate, please:

- Call customer service at 1 (844) 543-5872
- Visit the Website Customer Service Platform at www.lidl.com/contact-us
or
- Visit a LIDL store for further assistance

To ensure the quickest warranty return process, please have the following available:

- The original sales receipt that includes the date purchased;
- The product and manual in the original package;
- A statement of the problem.

What must you do to keep the warranty in effect?

- Retain the original receipt;
- Follow all product instructions;
- Do not repair or modify the product.

How does state law relate to this warranty?

This warranty gives you specific legal rights, and you may also have other rights which vary from state to state. All implied warranties are limited by the duration and terms of this warranty. Some states do not allow limitations on how long an implied warranty lasts, so the above limitation may not apply to you.

The *Bluetooth*[®] word mark and logos are registered trademarks owned by Bluetooth SIG, Inc. and any use of such marks by Hans Dinslage GmbH is under license. Other trademarks and trade names are those of their respective owners.

Apple and the Apple logo are trademarks of Apple Inc., registered in the U.S. and other countries. App Store is a service mark of Apple Inc., registered in the U.S. and other countries.

Google Play and the Google Play logo are trademarks of Google LLC. Android is a trademark of Google LLC.

SILVERCREST®

US-ES 51

SILVERCREST®

US-ES 53

Notes on electromagnetic compatibility

The ME EQUIPMENT or ME SYSTEM is suitable for home healthcare environments and so on. Warning: Don't near active HF surgical equipment and the RF shielded room of an ME system for magnetic resonance imaging, where the intensity of EM disturbances is high.

Warning: Use of this equipment adjacent to or stacked with other equipment should be avoided because it could result in improper operation. If such use is necessary, this equipment and the other equipment should be observed to verify that they are operating normally.

Warning: Use of accessories, transducers and cables other than those specified or provided by the manufacturer of this equipment could result in increased electromagnetic emissions or decreased electromagnetic immunity of this equipment and result in improper operation.

Warning: Portable RF communications equipment (including peripherals such as antenna cables and external antennas) should be used no closer than 30 cm (12 inches) to any part of the equipment (SBM69), including cables specified by the manufacturer. Otherwise, degradation of the performance of this equipment could result.

**Table 1:
Guidance and manufacturer's declaration –
electromagnetic emissions:**

Emissions test	Compliance
RF emissions CISPR 11	Group 1
RF emissions CISPR 11	Group B
Harmonic emissions IEC 61000-3-2	Not applicable
Voltage fluctuations/ flicker emissions IEC 61000-3-3	Not applicable

Table 2:
Guidance and manufacturer's declaration –
electromagnetic immunity:

Immunity test	IEC 60601-2 test level	Compliance level
Electrostatic discharge (ESD) IEC 61000-4-2	±8 kV contact ±2 kV, ±4 kV, ±8 kV, ±15 kV air	±8 kV contact ±2 kV, ±4 kV, ±8 kV, ±15 kV air
Electrical fast transient/burst IEC 61000-4-4	power supply lines: ±2 kV input/output lines: ±1 kV	Not applicable
Surge IEC 61000-4-5	line(s) to line(s): ±1 kV line(s) to earth: ±2 kV 100 kHz repetition frequency	Not applicable
Voltage dips, short interruptions and voltage variations on power supply input lines IEC 61000-4-11	0% U_T ; 0.5 cycle At 0°, 45°, 90°, 135°, 180°, 225°, 270° and 315° 0% U_T ; 1 cy- cle and 70% U_T ; 25/30 cycles Single phase: at 0° 0% U_T ; 300 cycle	Not applicable
Power frequency (50Hz/60Hz) magnetic field IEC 61000-4-8	30 A/m 50 Hz/60 Hz	30 A/m 50 Hz/60 Hz

Immunity test	IEC 60601-2 test level	Compliance level
Conducted RF IEC61000-4-6	150 KHz to 80 MHz: 3 Vrms 6 Vrms (in ISM and amateur radio bands) 80 % Am at 1 kHz	Not applicable
Radiated RF IEC61000-4-3	10 V/m 80 MHz-2,7 GHz 80 % AM at 1 kHz	10 V/m 80 MHz-2,7 GHz 80 % AM at 1 kHz
NOTE U_T is the a.c. mains voltage prior to applicable of the test level.		

**Table 3:
Guidance and manufacturer's declaration -
electromagnetic immunity:**

Radiated RF IEC61000- 4-3 (Test specifica- tions for ENCLOSURE PORT IMMU- NITY to RF wireless communica- tions equip- ment)	Test Fre- quency	Band (MHz)	Service
	385	380-390	TETRA 400
	450	430-470	GMRS 460: FRS 460
	710	704-787	LTE Band 13, 17
	745		
	780		
	810	800-960	GSM 800/900, TETRA 800, iDEN 820, CDMA 850, LTE Band 5
	870		
	930		

Radiated RF IEC61000-4-3 (Test specifications for ENCLOSURE PORT IMMUNITY to RF wireless communications equipment)	Test Frequency	Band (MHz)	Service
	1720	1700-1990	GSM 1800; CDMA 1900; GSM 1900; DECT; LTE Band 1, 3, 4, 25; UMTS
	1845		
	1970		
	2450	2400-2570	Bluetooth, WLAN, 802.11 b/g/n, RFID 2450, LTE Band 7
	5240	5100-5800	WLAN 802.11 a/n
	5500		
	5785		

**Table 3:
Guidance and manufacturer's declaration -
electromagnetic immunity:**

Radiated RF IEC61000- 4-3 (Test specifica- tions for ENCLOSURE PORT IMMU- NITY to RF wireless communica- tions equip- ment)	Modu- lation	Modu- lation (W)	Dis- tance (m)	IMMU- NITY TEST LEVEL (V/m)
	Pulse modula- tion b) 18 Hz	1.8	0.3	27
	FM c) ± 5kHz de- viation 1 kHz sine	2	0.3	28
	Pulse modula- tion b) 217Hz	0.2	0.3	9
	Pulse modula- tion b) 18 Hz	2	0.3	28

Radiated RF IEC61000-4-3 (Test specifications for ENCLOSURE PORT IMMUNITY to RF wireless communications equipment)	Modulation	Modulation (W)	Distance (m)	IMMUNITY TEST LEVEL (V/m)
	Pulse modulation b) 217Hz	2	0.3	28
	Pulse modulation b) 217Hz	2	0.3	28
	Pulse modulation b) 217Hz	0.2	0.3	9

