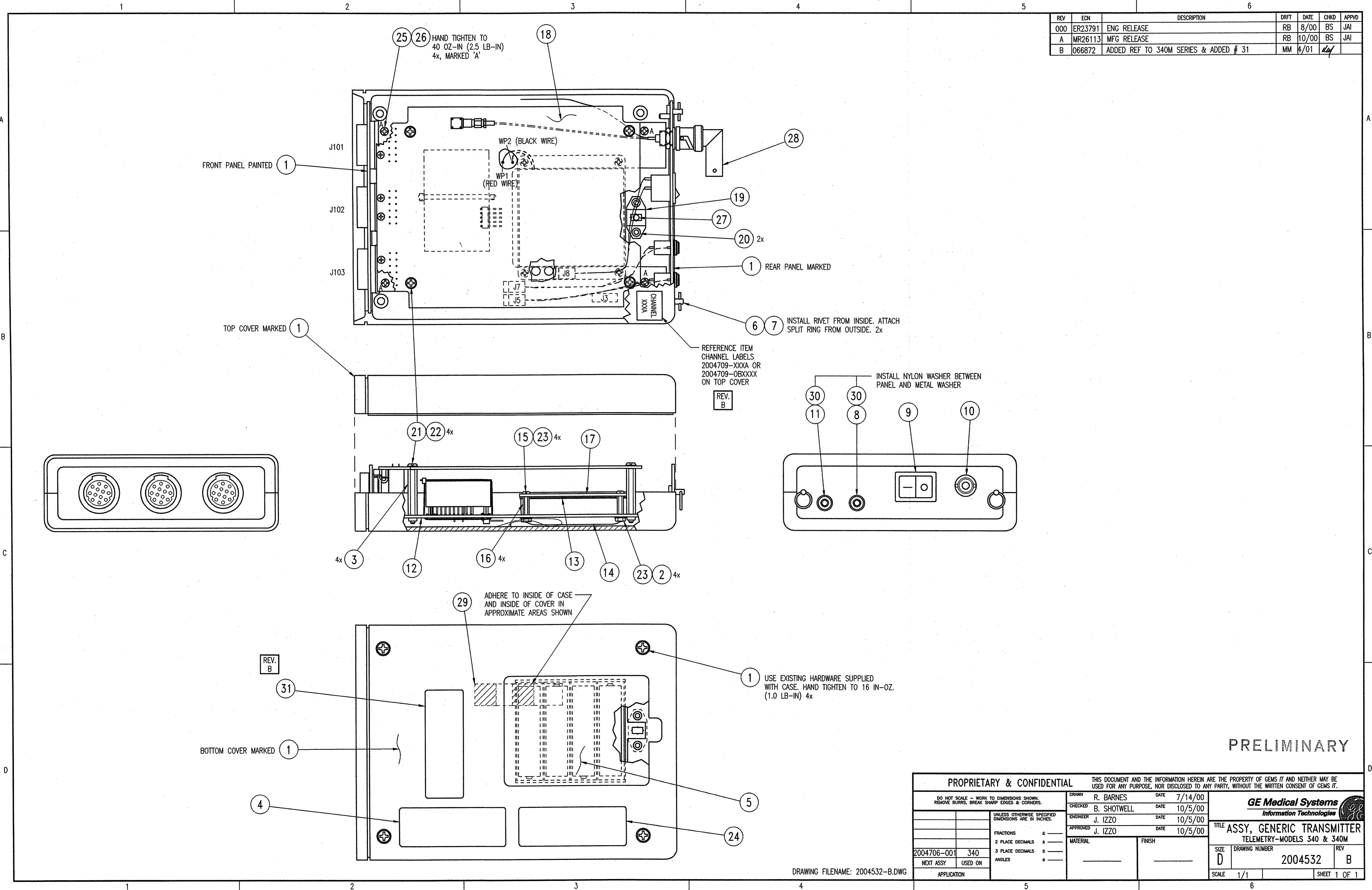


REV	ECN	DESCRIPTION	DRFT	DATE	CHKD	APPVD
000	ER23791	ENG RELEASE	RB	8/00	BS	JAI
A	MR26113	MFG RELEASE	RB	10/00	BS	JAI
B	066872	ADDED REF TO 340M SERIES & ADDED # 31	MM	4/01	MM	



REV. B

REV. B

PRELIMINARY

PROPRIETARY & CONFIDENTIAL		THIS DOCUMENT AND THE INFORMATION HEREIN ARE THE PROPERTY OF GE MEDICAL SYSTEMS AND NEITHER MAY BE USED FOR ANY PURPOSE, NOR DISCLOSED TO ANY PARTY, WITHOUT THE WRITTEN CONSENT OF GE MEDICAL SYSTEMS.	
DO NOT SCALE - WORK TO DIMENSIONS SHOWN. REMOVE BURRS, BREAK SHARP EDGES & CORNERS.	DRAWN R. BARNES DATE 7/14/00		
UNLESS OTHERWISE SPECIFIED DIMENSIONS ARE IN INCHES.	CHECKED B. SHOTWELL DATE 10/5/00		
FRACTIONS ±	ENGINEER J. IZZO DATE 10/5/00		
2 PLACE DECIMALS ±	APPROVED J. IZZO DATE 10/5/00	TITLE ASSY, GENERIC TRANSMITTER TELEMETRY-MODELS 340 & 340M	
3 PLACE DECIMALS ±	MATERIAL FINISH	SIZE D	DRAWING NUMBER 2004532
ANGLES ±	APPLICATION	SCALE 1/1	REV B
2004706-001 340	NEXT ASSY USED ON	SHEET 1 OF 1	

DRAWING FILENAME: 2004532-B.DWG