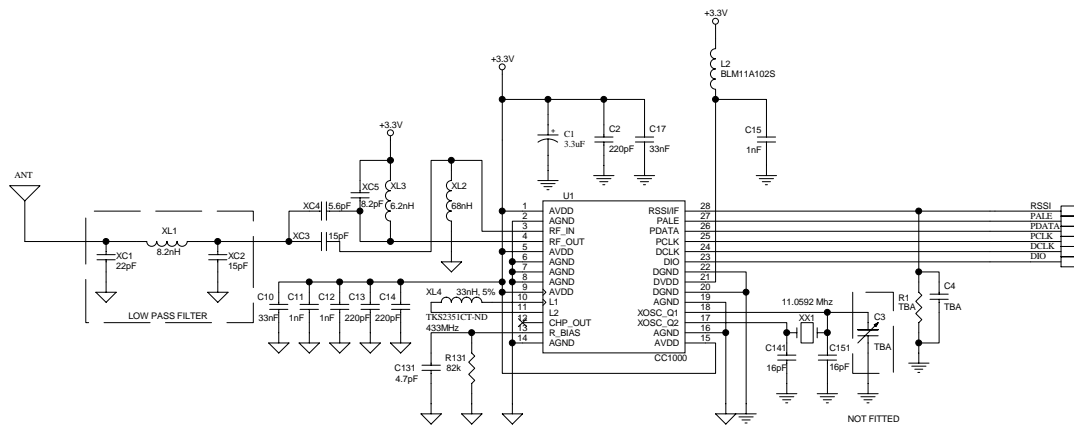
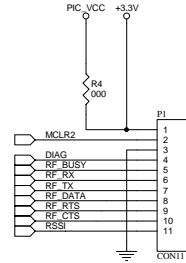
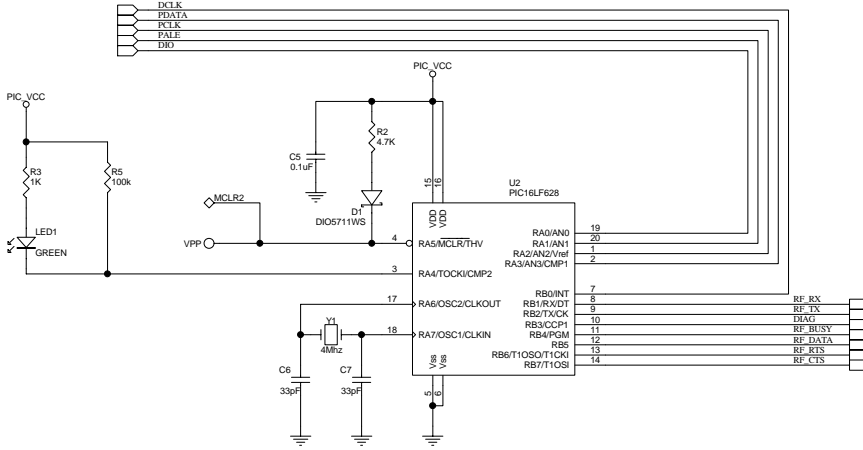


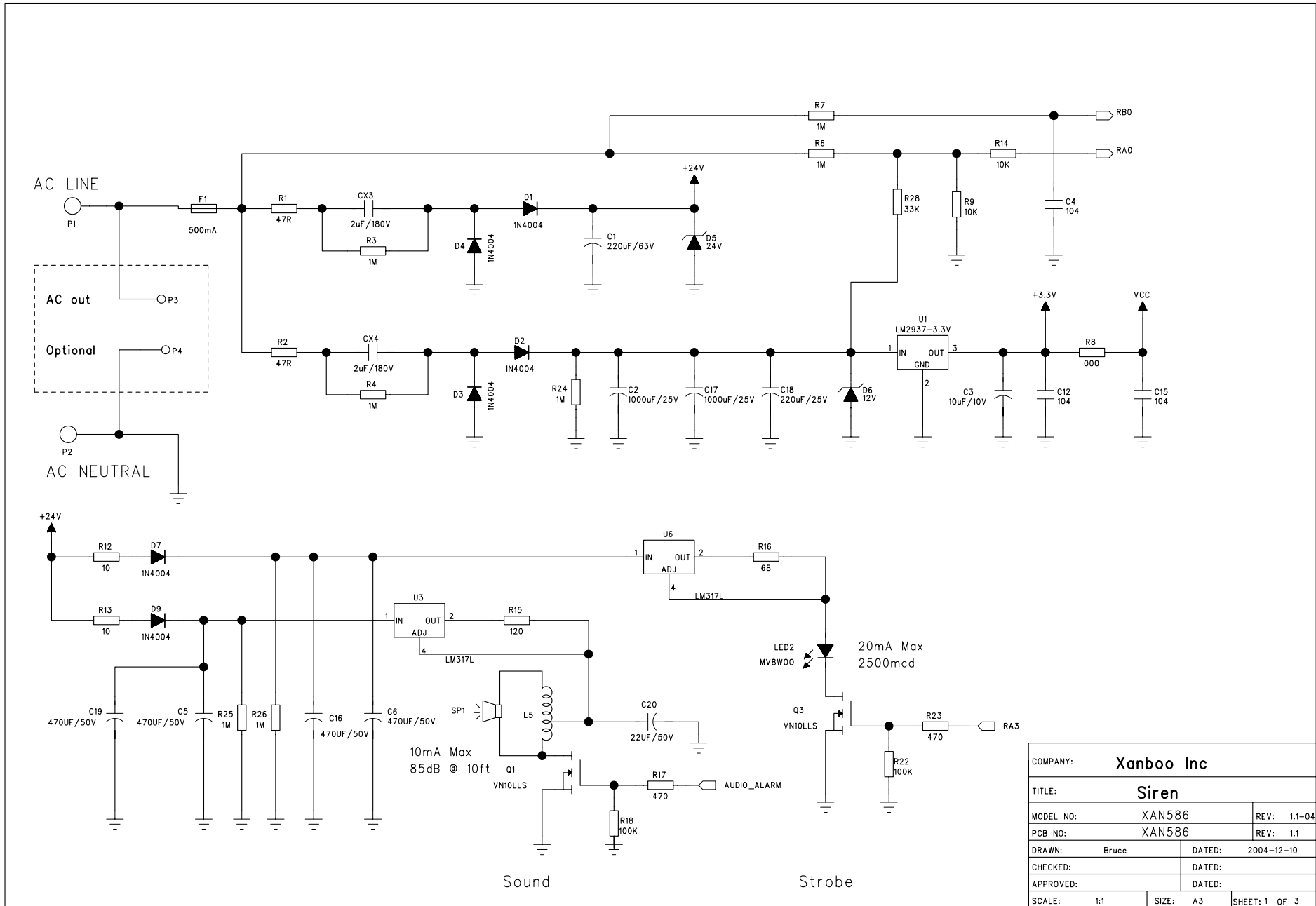
THIS DOCUMENT AND THE DATA DISCLOSED HEREIN OR HEREWITH IS THE PROPERTY OF XANBOO AND IS NOT TO BE REPRODUCED, USED OR DISCLOSED IN WHOLE OR IN PART WITHOUT THE PERMISSION OF XANBOO. ALL PATENT, PROPRIETARY, DESIGN, USE, SALE, MANUFACTURING AND REPRODUCTION RIGHTS THERE TO ARE RESERVED BY XANBOO.



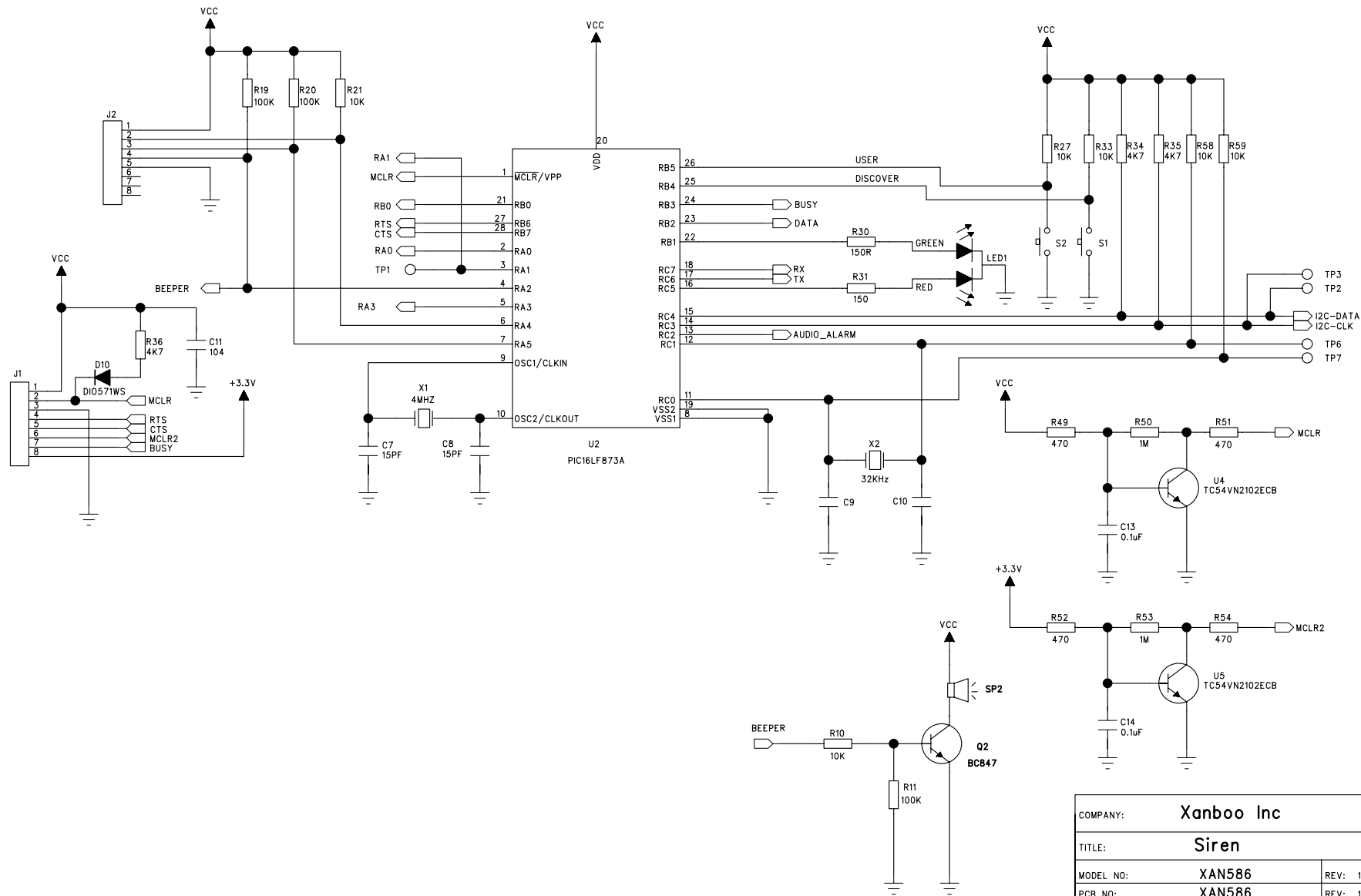
XANBOO		115 West 30th Street 6th FL., New York, NY 10001 (646) 674 - 3000	
SEE SHEET 1 FOR NOTES AND APPROVALS		TITLE XAN0408_1_4 CC1000	
PRINT DATE 2004-01-14	TIME 10:07:24	SUPERSEDES XAN0408_1_4	
SIZE B	SHEET 1 OF 2	FILE	DRAWING NO. XAN0408 Rev1.4-02



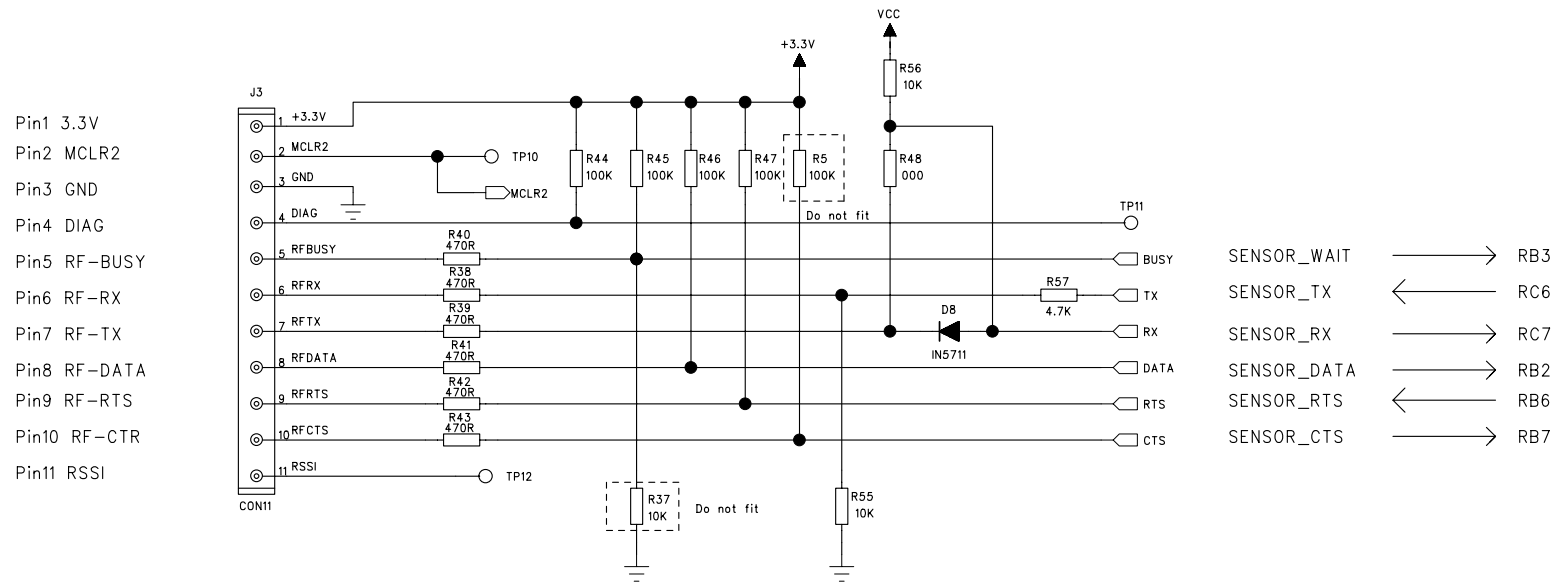
		115 West 30th Street 6th FL., New York, NY 10001 (646) 674 - 3000	
		SEE SHEET 1 FOR NOTES AND APPROVALS	
PRINT DATE 2004-01-14		TIME 10:06:51	
SIZE B		TITLE XAN0408_1_4 MICROCONTROLLER	
SHEET 2 OF 2		SUPERSEDES XAN0408_1_4	
FILE		DRAWING NO. XAN0408 Rev1.4-02	



COMPANY:	Xanboo Inc		
TITLE:	Siren		
MODEL NO:	XAN586	REV:	1.1-04
PCB NO:	XAN586	REV:	1.1
DRAWN:	Bruce	DATED:	2004-12-10
CHECKED:		DATED:	
APPROVED:		DATED:	
SCALE:	1:1	SIZE:	A3
		SHEET:	1 OF 3



COMPANY: Xanboo Inc			
TITLE: Siren			
MODEL NO:	XAN586	REV:	1.1-04
PCB NO:	XAN586	REV:	1.1
DRAWN:	Bruce	DATED:	2004-12-10
CHECKED:		DATED:	
APPROVED:		DATED:	
SCALE:	1:1	SIZE:	A3
		SHEET: 2 OF 3	



Note:

Radio interface for 5 volt CPU

Do not fit R48

Radio interface for 3.3 volt CPU <=====

Do not fit D8

Do not fit R55

Change R57 to 0 Ohms

COMPANY:	Xanboo Inc		
TITLE:	Siren		
MODEL NO:	XAN586	REV:	1.1-04
PCB NO:	XAN586	REV:	1.1
DRAWN:	Bruce	DATED:	2004-12-10
CHECKED:		DATED:	
APPROVED:		DATED:	
SCALE:	1:1	SIZE:	A3
		SHEET:	3 OF 3