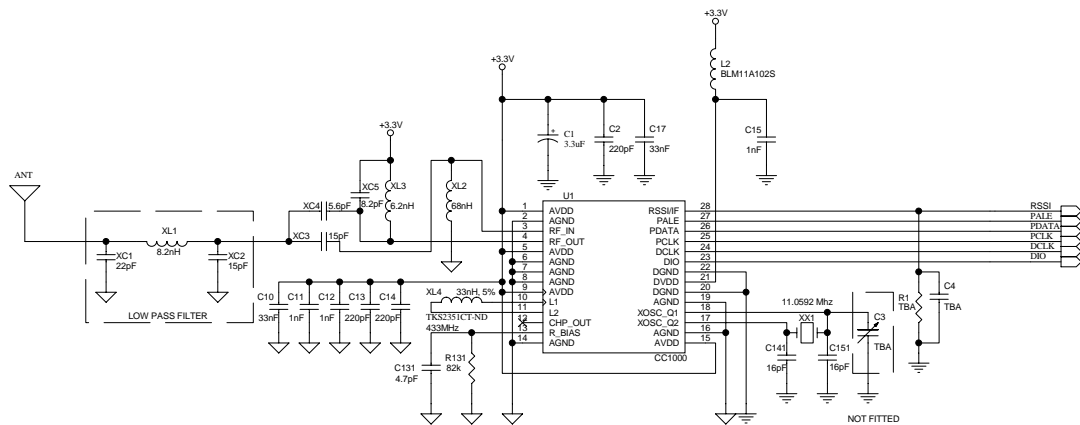

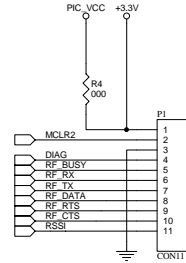
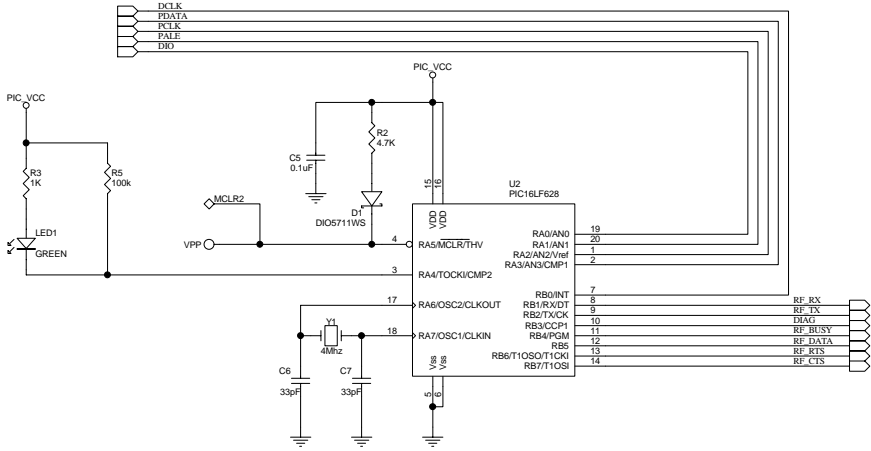


THIS DOCUMENT AND THE DATA DISCLOSED HEREIN OR HEREWITH IS THE PROPERTY OF XANBOO AND IS NOT TO BE REPRODUCED, USED OR DISCLOSED IN WHOLE OR IN PART WITHOUT THE PERMISSION OF XANBOO. ALL PATENT, PROPRIETARY, DESIGN, USE, SALE, MANUFACTURING AND REPRODUCTION RIGHTS THERE TO ARE RESERVED BY XANBOO.



		115 West 30th Street 6th FL., New York, NY 10001 (646) 674 - 3000	
		SEE SHEET 1 FOR NOTES AND APPROVALS	
PRINT DATE 2004-01-14		TIME 10:07:24	
SIZE B		SHEET 1 OF 2	
SUPERSEDES XAN0408_1_4 CC1000		DRAWING NO. XAN0408 Rev1.4-02	



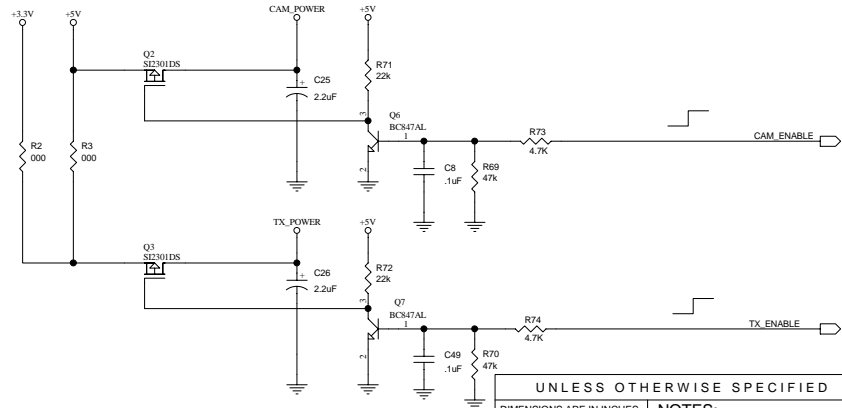
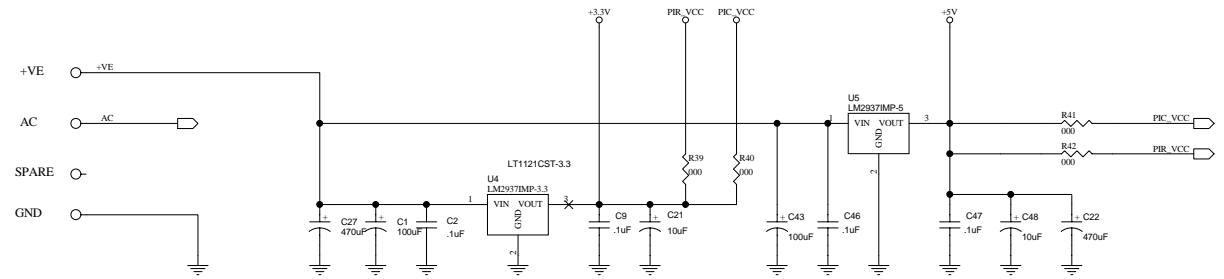
		115 West 30th Street 6th FL., New York, NY 10001 (646) 674 - 3000	
		SEE SHEET 1 FOR NOTES AND APPROVALS	
TITLE		XAN0408_1_4 MICROCONTROLLER	
PRINT DATE	TIME	SUPERSEDES	
2004-01-14	10:06:51	XAN0408_1_4	
SIZE	SHEET	FILE	DRAWING NO.
B	2		XAN0408 Rev1.4-02

THIS DOCUMENT AND THE DATA DISCLOSED HEREIN OR HEREWITH IS THE PROPERTY OF XANBOO AND IS NOT TO BE REPRODUCED, USED OR DISCLOSED IN WHOLE OR IN PART WITHOUT THE PERMISSION OF XANBOO. ALL PATENT, PROPRIETARY, DESIGN, USE, SALE, MANUFACTURING AND REPRODUCTION RIGHTS THERE TO ARE RESERVED BY XANBOO.

REVISIONS					
REV	ECO NO.	DESCRIPTION	DATE	DR. BY	APPR
1.00	0927	PROTOTYPE	09/27/02	OV	BB

SHEETS INFORMATION

SHEET	FUNCTION
SHEET 1	COVER SHEET/POWER SUPPLY INTERNAL
SHEET 2	VID PROTOCOL CONTROL
SHEET 3	2.4GHz TX
SHEET 4	
SHEET 5	
SHEET 6	
SHEET 7	
SHEET 8	
SHEET 9	
SHEET 10	
SHEET 11	



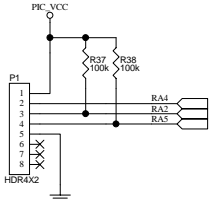
Do Not Install R3,R39,R40

VID Protocol control
VID Protocol control

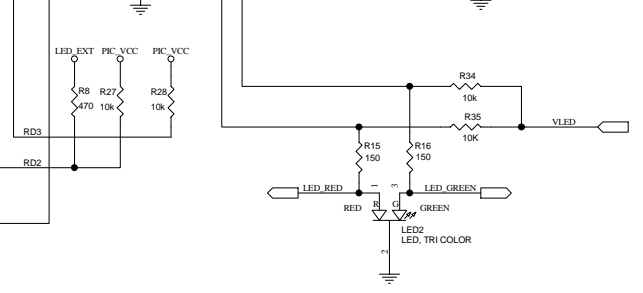
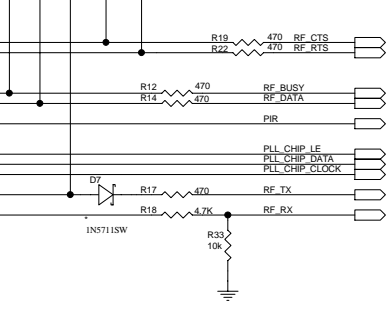
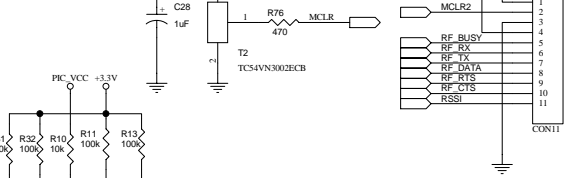
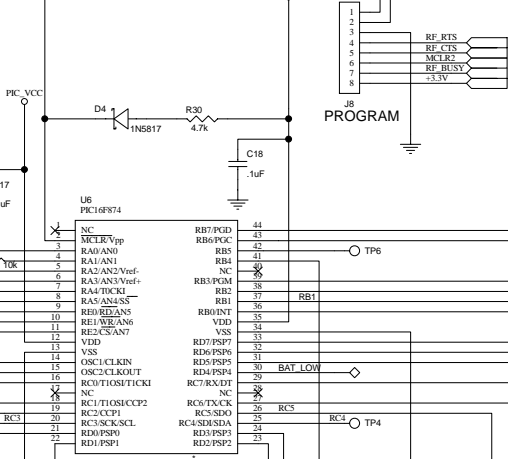
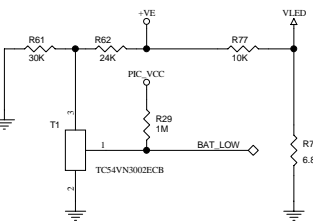
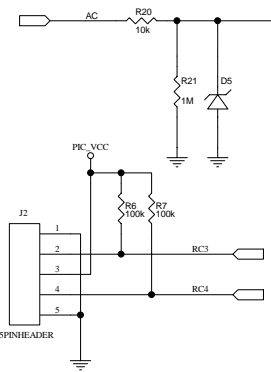
2
2.4G TX

UNLESS OTHERWISE SPECIFIED		COMPANY: XANBOO Inc		115 West 30th Street 6th FL., New York, NY 10001 (646) 674 - 3000	
DIMENSIONS ARE IN INCHES. TOLERANCES ARE: FRACTIONS= ± .02 ANGULAR= ± 1 DEGREE DECIMALS= .XX ± .025 .XXX ± .005		NOTES: 1. ALL RESISTORS ARE IN OHMS. 2. ALL CAPACITANCE IN FARADS.		APPROVALS	DATE
PRINT DATE	TIME	COMPUTER FILE #	SCALE:	TITLE MCAM COVER SHEET/POWER SUPPLY INT	
28-Dec-2004	17:37:32		NONE	DRAWN: Bruce	2004-12-23
			SIZE	SHEET	FILE
			B 1	OF 3	
				MODEL NO:	XAN507
				REV:	1.4-02
				PCB NO:	XAN507
				REV:	1.4

THIS DOCUMENT AND THE DATA DISCLOSED HEREIN OR HEREWITH IS THE PROPERTY OF XANBOO AND IS NOT TO BE REPRODUCED, USED OR DISCLOSED IN WHOLE OR IN PART WITHOUT THE PERMISSION OF XANBOO. ALL PATENT, PROPRIETARY, DESIGN, LOGO, TRADE, MANUFACTURING AND REPRODUCTION RIGHTS HERETO ARE RESERVED BY XANBOO.



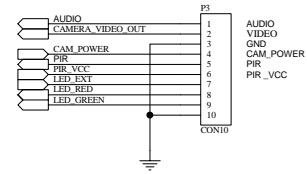
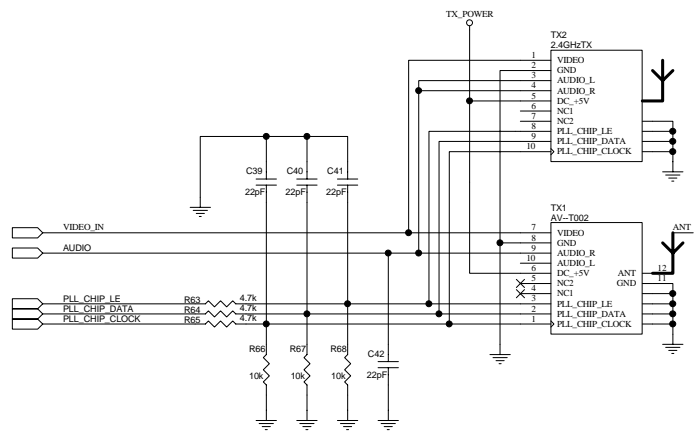
KEYFOB INTERFACE



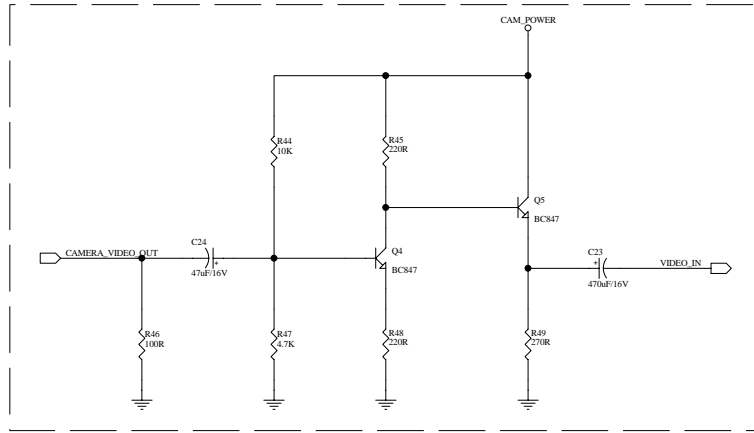
DO NOT INSTALL: R11,27,33,34,35,80, R33,10k, LED2, C15,C16, Y1

XANBOO		115 West 30th Street 6th FL., New York, NY 10001 (646) 674-3000	
SEE SHEET 1 FOR NOTES AND APPROVALS		TITLE MCAM VID PROTOCOL CONTROL	
PRINT DATE 2004-12-23	TIME 17:38:00	MODEL NO: XAN507	REV: 1.4-02
SIZE B	SHEET 2	FILE OF 3	PCB NO: XAN507
		REV: 1.4	

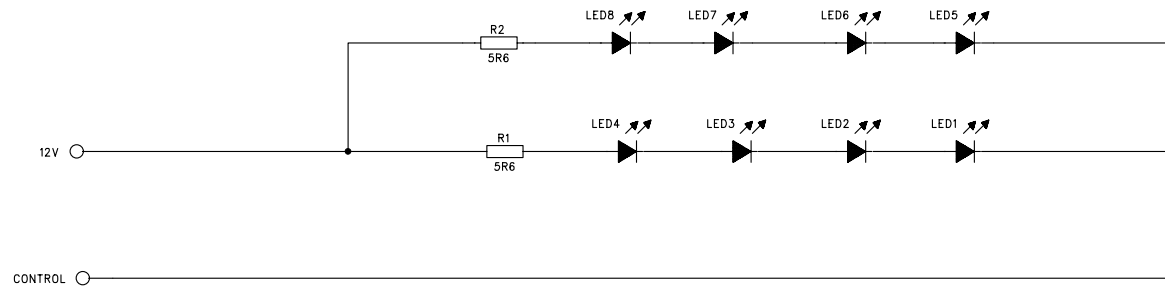
THIS DOCUMENT AND THE DATA DISCLOSED HEREIN OR HEREWITH IS THE PROPERTY OF XANBOO AND IS NOT TO BE REPRODUCED, USED OR DISCLOSED IN WHOLE OR IN PART WITHOUT THE PERMISSION OF XANBOO. ALL PATENT, PROPRIETARY DESIGN, USE, SALE, MANUFACTURING AND REPRODUCTION RIGHTS THERE TO ARE RESERVED BY XANBOO.



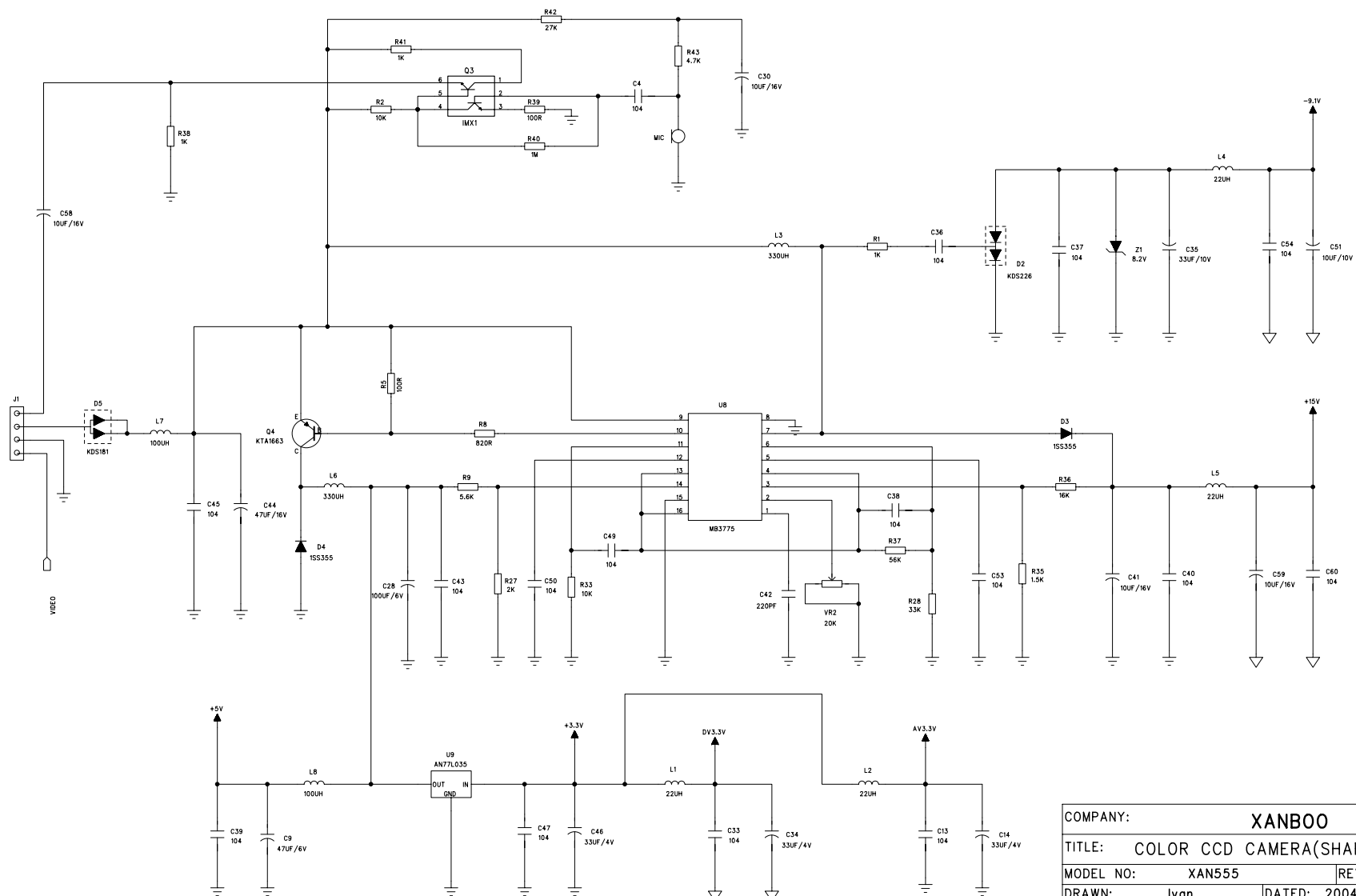
VIDEO SCRAMBLING



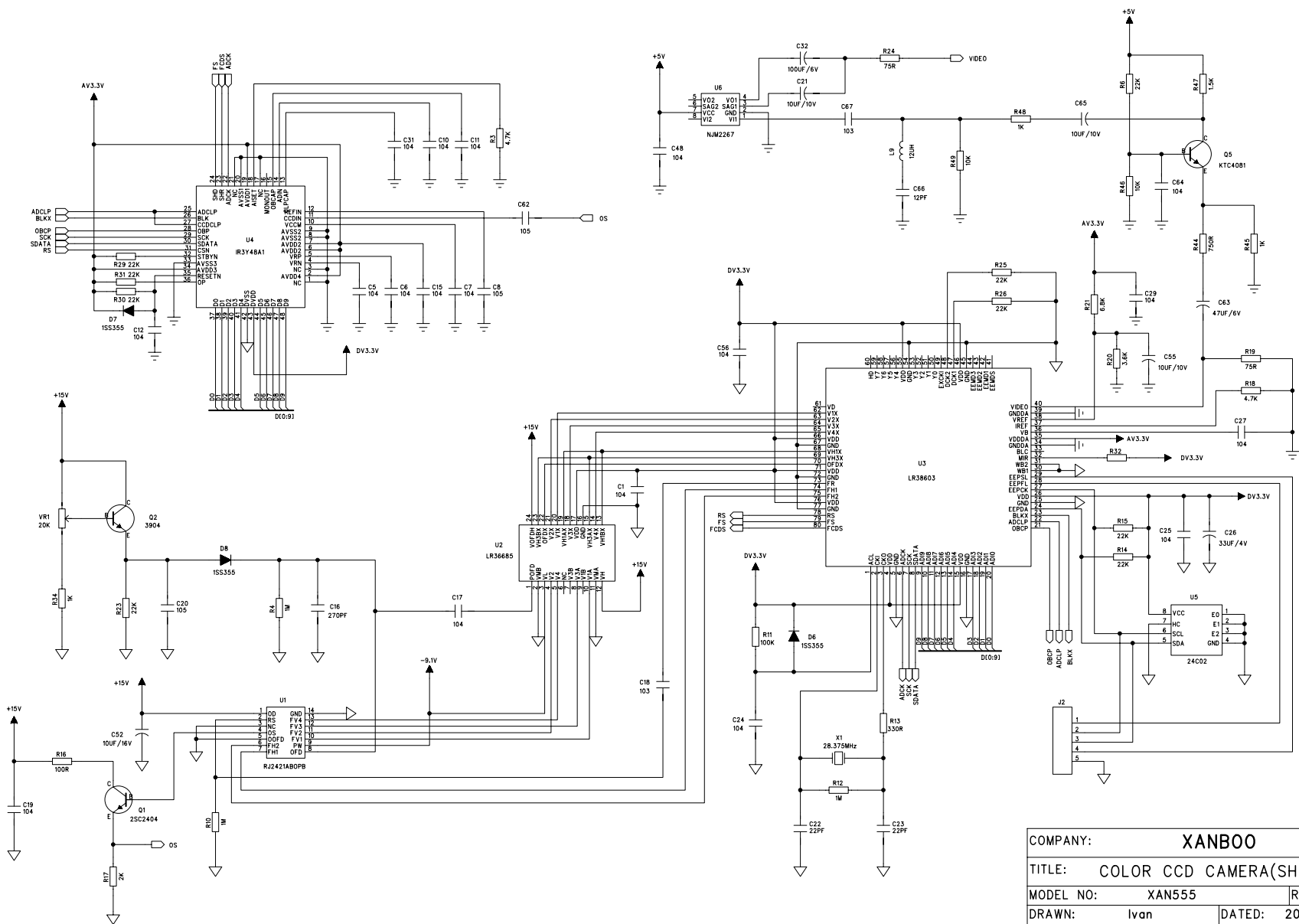
XANBOO		115 West 30th Street 6th FL., New York, NY 10001 (646) 674 - 3000	
		SEE SHEET 1 FOR NOTES AND APPROVALS	TITLE MCAM 2.4GHz TX
PRINT DATE 2004-12-23	TIME 17:23:21	MODEL NO: XAN507	REV: 1.4-02
SIZE B	SHEET 3 OF 3	FILE PCB NO: XAN507	REV: 1.4



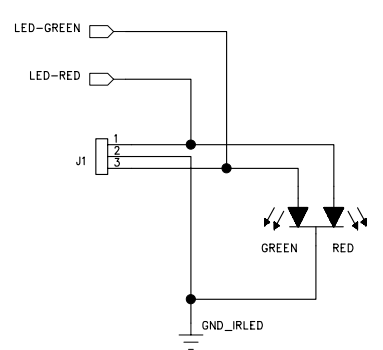
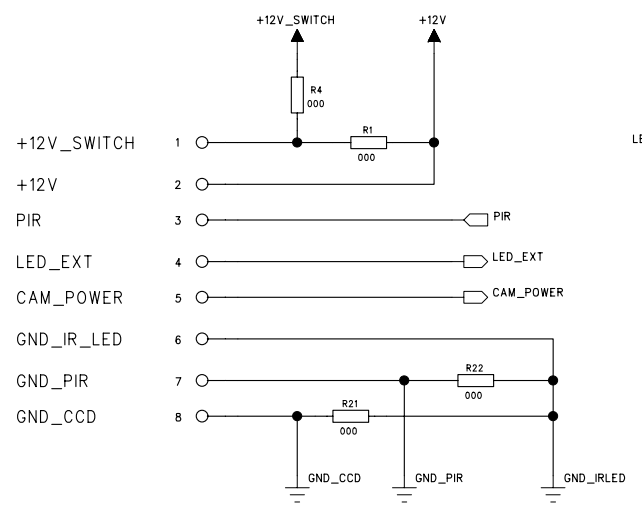
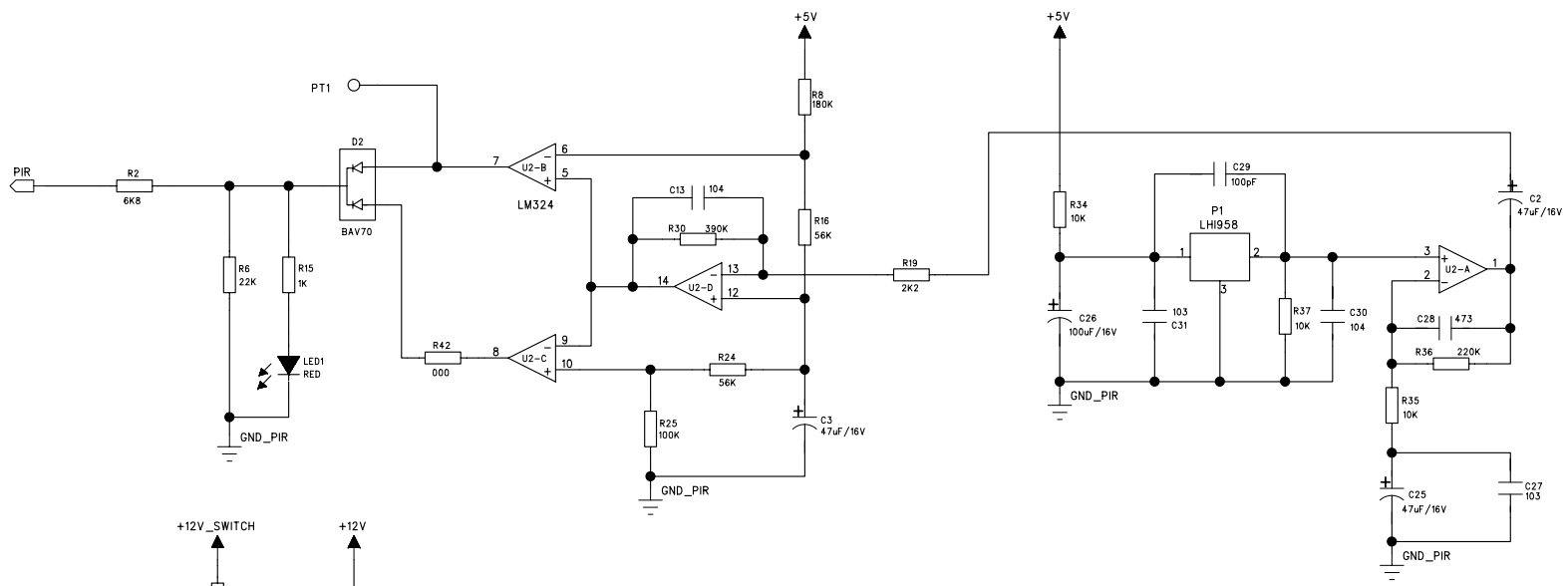
COMPANY: RDI CHINA/XANBOO Inc.		
TITLE: IR LED		
MODEL NO: MCAM IR LED	REV: 1.0	
PCB NO: XAN526	REV: 1.2	
DRAWN: Bruce	DATED: 2004-11-15	
CHECKED:	DATED:	
APPROVED:	DATED:	
SCALE: 1:1	SIZE: A3	SHEET: 1 OF 1



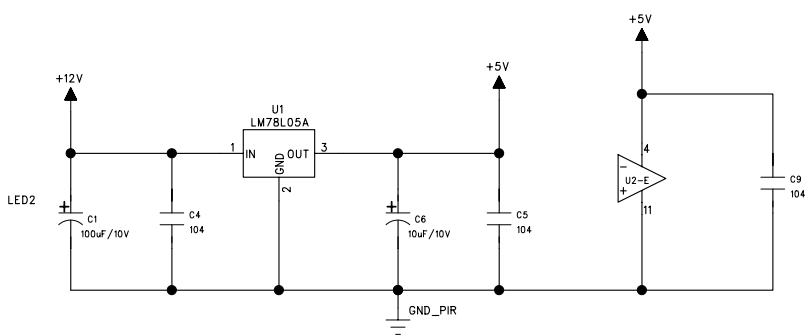
COMPANY:		XANBOO	
TITLE:		COLOR CCD CAMERA(SHARP)	
MODEL NO:	XAN555	REV:	1.1
DRAWN:	Ivan	DATED:	2004-02-09
CHECKED:		DATED:	
APPROVED:		DATED:	
SCALE:	1:1	SIZE:	A2
		SHEET: 1 OF 2	



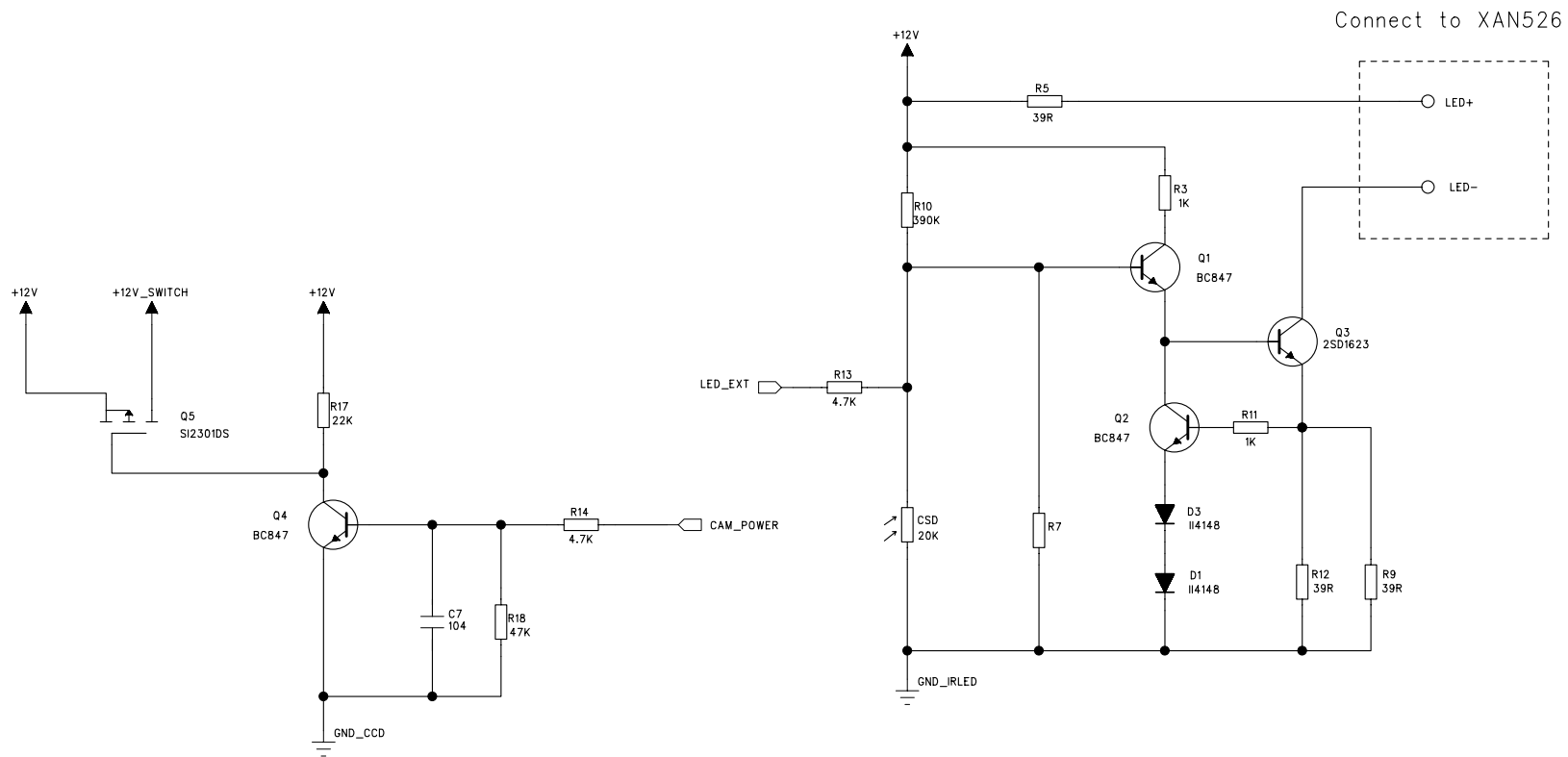
COMPANY:	XANBOO		
TITLE:	COLOR CCD CAMERA(SHARP)		
MODEL NO:	XAN555	REV:	1.1
DRAWN:	Ivan	DATED:	2004-02-09
CHECKED:		DATED:	
APPROVED:		DATED:	
SCALE:	1:1	SIZE:	A2
		SHEET:	2 OF 2



Do not install R1



COMPANY:	XANBOO		
TITLE:	PIR & CSD FOR XCAM		
MODEL NO:	XAN588	REV:	1.0-03
DRAWN:	Bruce	DATED:	2004/12/23
CHECKED:		DATED:	
APPROVED:		DATED:	
SCALE:	1:1	SIZE:	A3
		SHEET:	1 OF 2



COMPANY:	XANBOO		
TITLE:	PIR & SCD FOR MCAM		
MODEL NO:	XAN588	REV: 1.0-03	
DRAWN:	Bruce	DATED:	2004-12-23
CHECKED:		DATED:	
APPROVED:		DATED:	
SCALE:	1:1	SIZE:	A3 SHEET: 2 OF 2