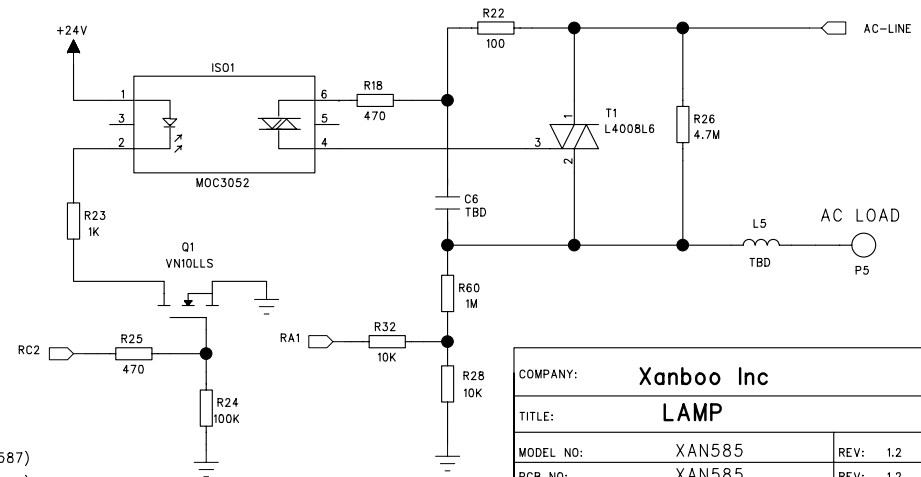
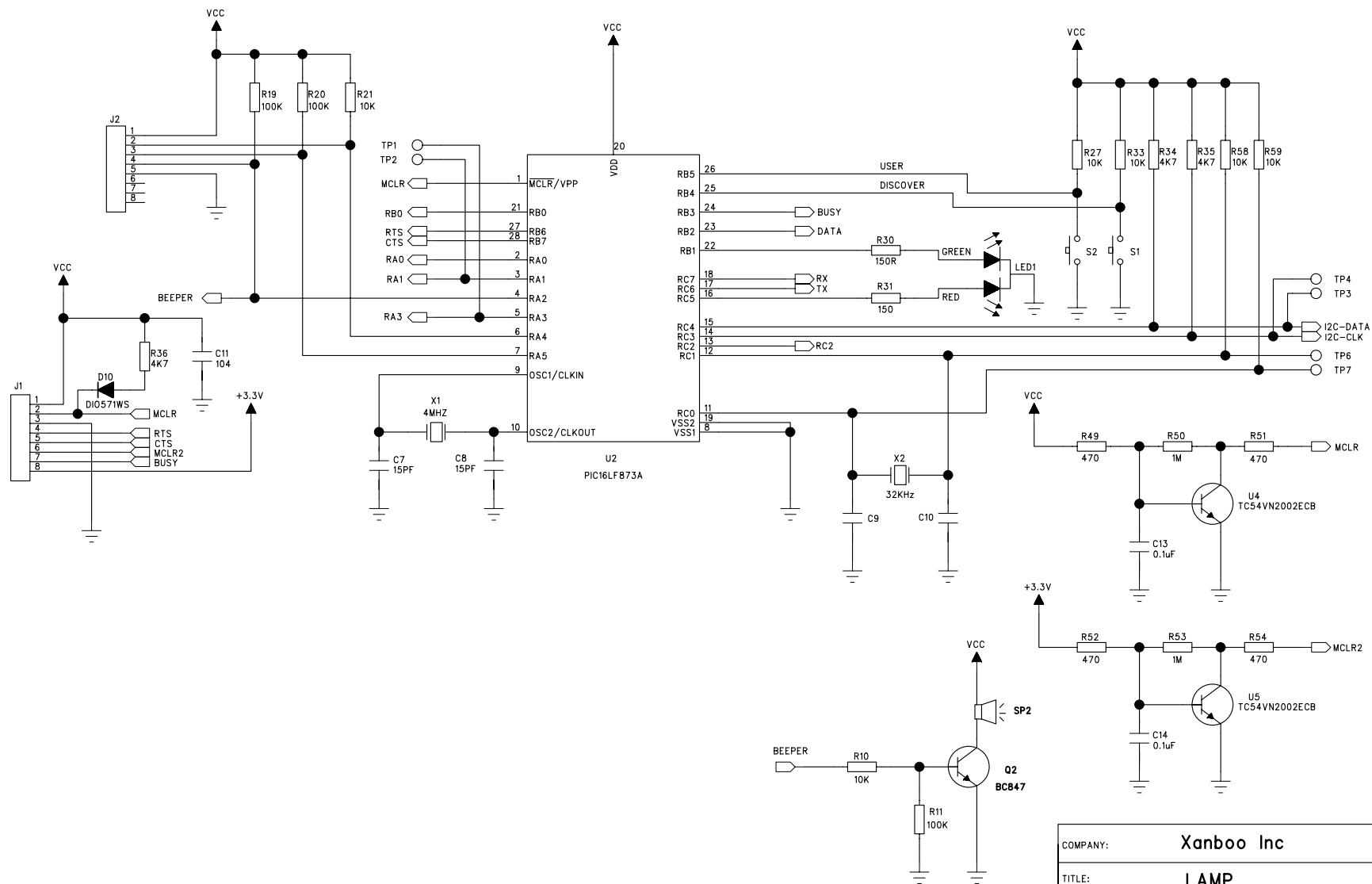


Note:
Between P7, P8 and P9, P10 (P1, P2 on the XAN587)
A UL approved tether cable (UL1061 30AWG*2C 2mm)
used to connect these Pads

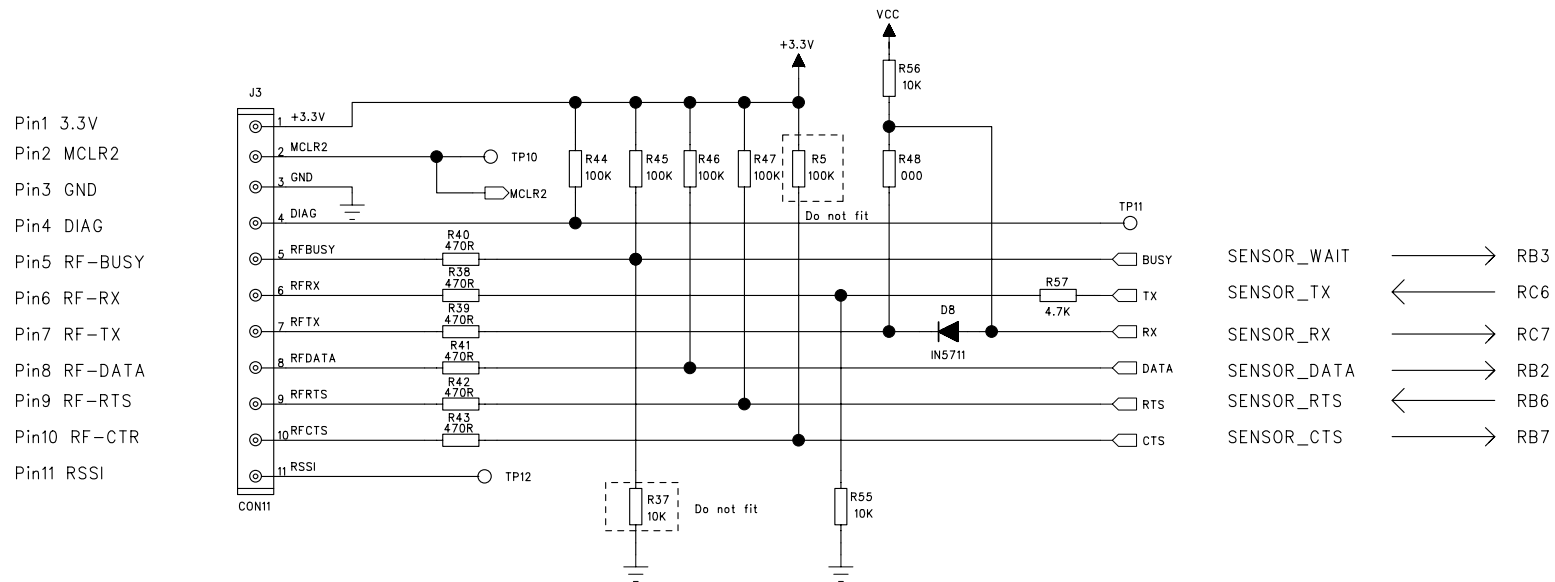


Do not install: R6A,R6B

COMPANY: Xanboo Inc		
TITLE: LAMP		
MODEL NO: XAN585	REV: 1.2	
PCB NO: XAN585	REV: 1.2	
DRAWN: Bruce	DATED: 2005-05-15	
CHECKED:	DATED:	
APPROVED:	DATED:	
SCALE: 1:1	SIZE: A3	SHEET: 1 OF 3



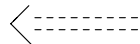
COMPANY: Xanboo Inc		
TITLE: LAMP		
MODEL NO: XAN585	REV: 1.2	
PCB NO: XAN585	REV: 1.2	
DRAWN: Bruce	DATED: 2005-04-15	
CHECKED:	DATED:	
APPROVED:	DATED:	
SCALE: 1:1	SIZE: A3	SHEET: 2 OF 3



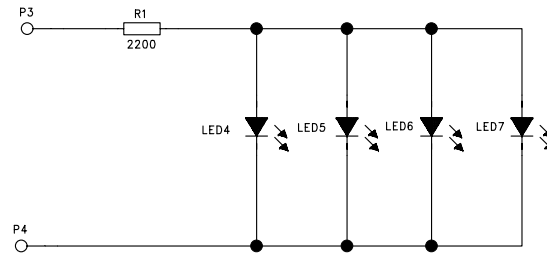
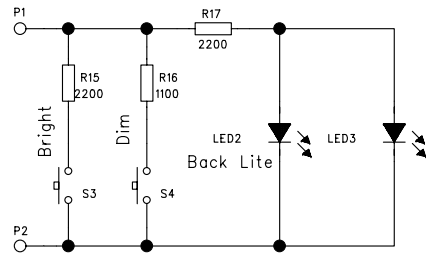
Note:

Radio interface for 5 volt CPU
Do not fit R48

Radio interface for 3.3 volt CPU
Do not fit D8
Do not fit R55
Change R57 to 0 Ohms

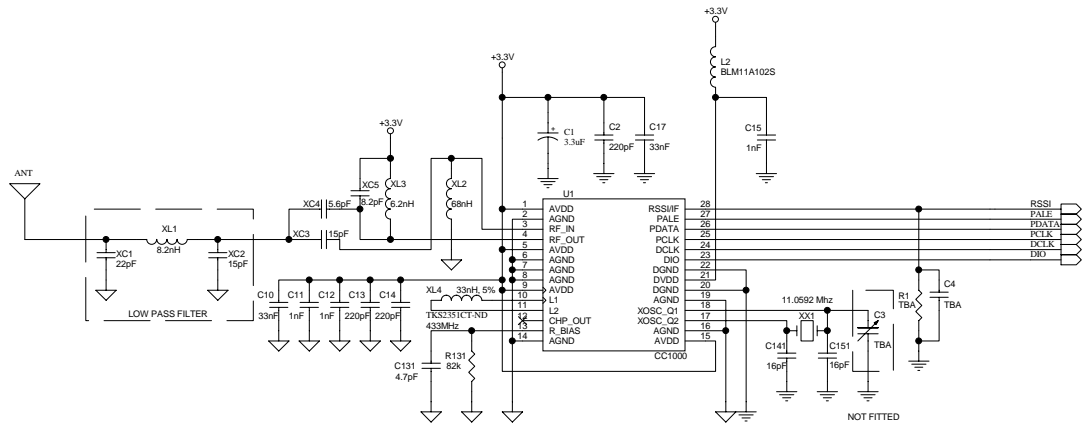


COMPANY:		Xanboo Inc	
TITLE:		LAMP	
MODEL NO:	XAN585	REV:	1.2
PCB NO:	XAN585	REV:	1.2
DRAWN:	Bruce	DATED:	2005-04-15
CHECKED:		DATED:	
APPROVED:		DATED:	
SCALE:	1:1	SIZE:	A3
		SHEET:	3 OF 3



COMPANY:		Xanboo Inc	
TITLE:		Dimmer Control	
MODEL NO:	XAN587	REV:	1.0-01
PCB NO:	XAN587	REV:	1.0
DRAWN:	Bruce	DATED:	2004-11-03
CHECKED:		DATED:	
APPROVED:		DATED:	
SCALE:	1:1	SIZE:	A3
		SHEET:	1 OF 3

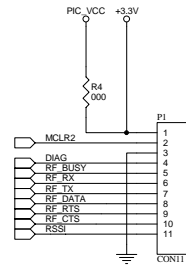
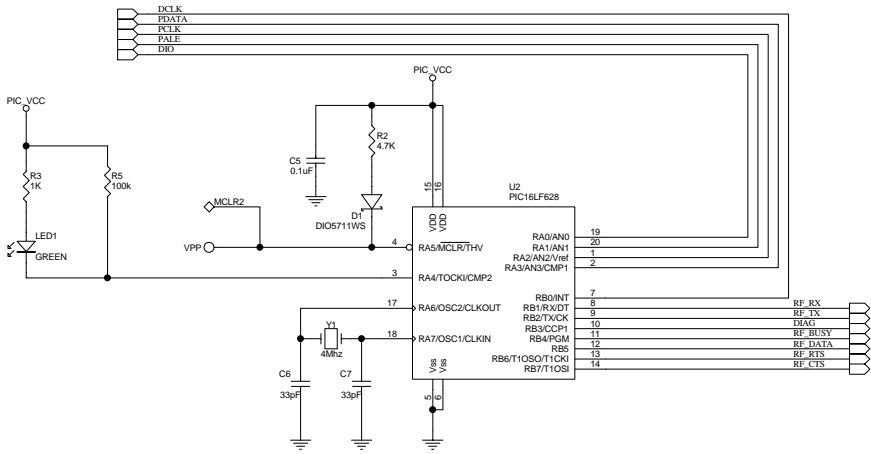
THIS DOCUMENT AND THE DATA DISCLOSED HEREIN OR HEREWITH IS THE PROPERTY OF XANBOO AND IS NOT TO BE REPRODUCED, USED OR DISCLOSED IN WHOLE OR IN PART WITHOUT THE PERMISSION OF XANBOO. ALL PATENT, PROPRIETARY, DESIGN, USE, SALE, MANUFACTURING AND REPRODUCTION RIGHTS THERE TO ARE RESERVED BY XANBOO.



NOT FITTED

XANBOO		115 West 30th Street 6th FL., New York, NY 10001 (646) 674 - 3000	
SEE SHEET 1 FOR NOTES AND APPROVALS		TITLE XAN0408_1_4 CC1000	
PRINT DATE 2004-01-14	TIME 10:07:24	SUPERSEDES XAN0408_1_4	
SIZE B	SHEET 1 OF 2	FILE	DRAWING NO. XAN0408 Rev1.4-02

THIS DOCUMENT AND THE DATA DISCLOSED HEREIN OR HEREWITH IS THE PROPERTY OF XANBOO AND IS NOT TO BE REPRODUCED, USED OR DISCLOSED IN WHOLE OR IN PART WITHOUT THE PERMISSION OF XANBOO. ALL PATENT, PROPRIETARY, DESIGN, USE, SALE, MANUFACTURING AND REPRODUCTION RIGHTS THERE TO ARE RESERVED BY XANBOO.



		115 West 30th Street 6th FL., New York, NY 10001 (646) 674 - 3000	
		SEE SHEET 1 FOR NOTES AND APPROVALS	
TITLE		XAN0408_1_4 MICROCONTROLLER	
PRINT DATE	TIME	SUPERSEDES	
2004-01-14	10:06:51	XAN0408_1_4	
SIZE	SHEET	FILE	DRAWING NO.
B	2 OF 2		XAN0408 Rev1.4-02