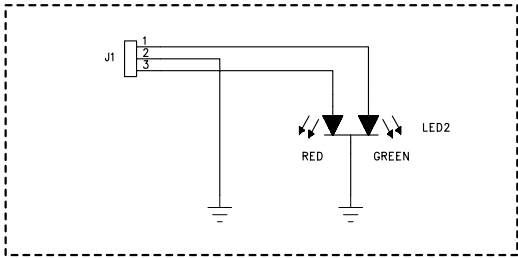
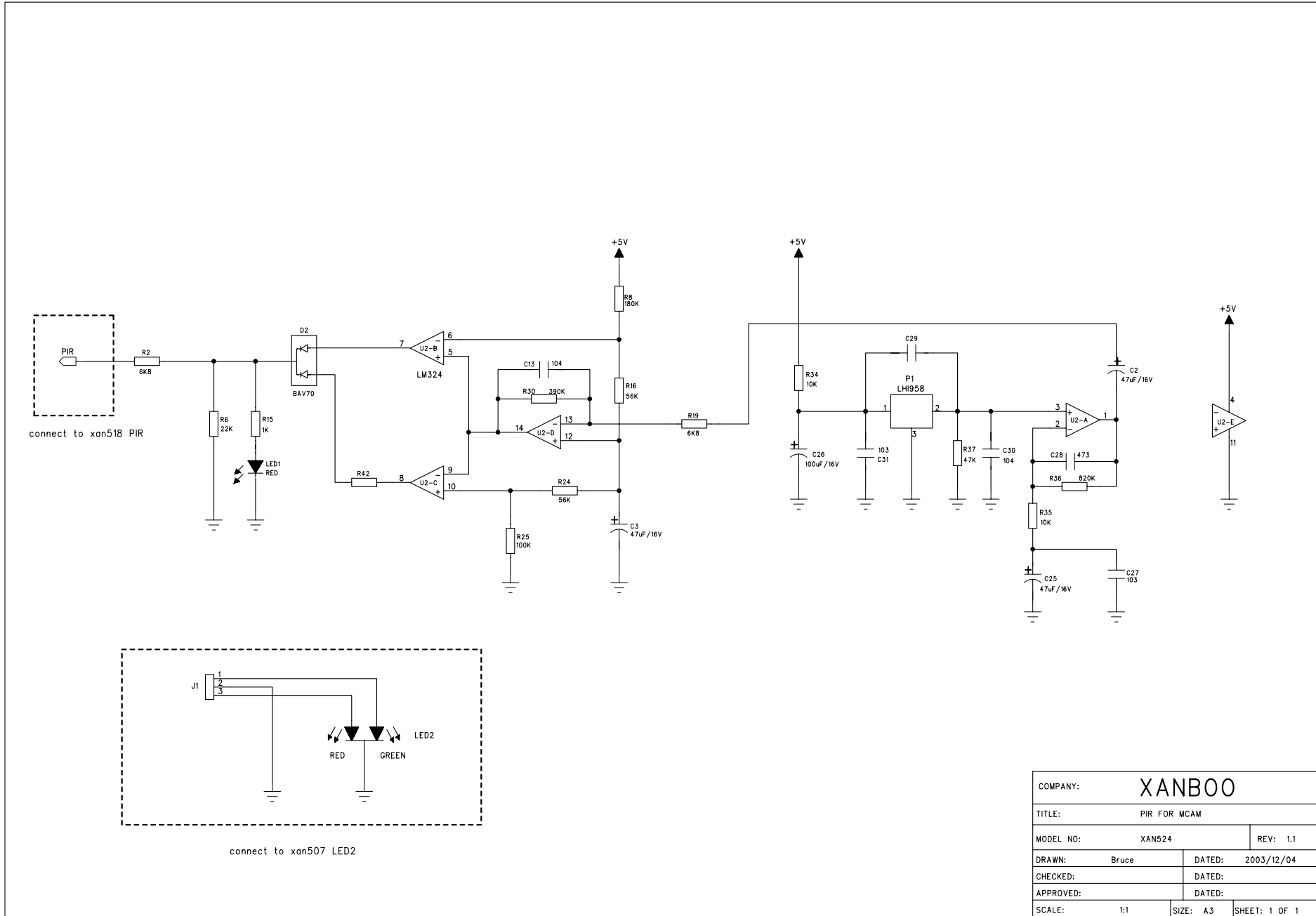


NTSC: Remove R3
 X1=14.318180MHz

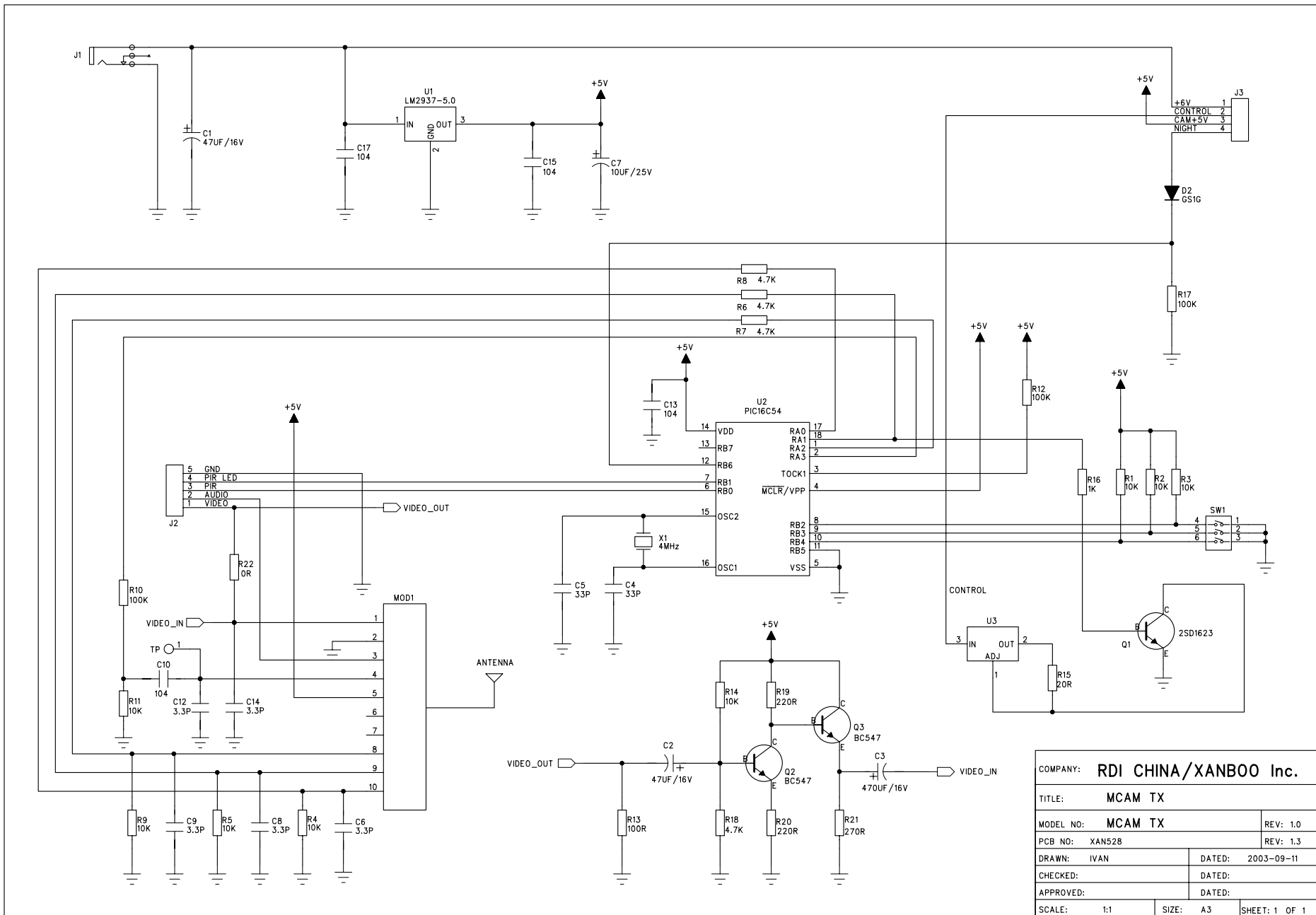
PAL: FIT R3
 X1=17.734475MHz

COMPANY:		XANBOO	
TITLE: OV7910 Color Camera			
MODEL NO: XAN518		REV: 1.1	
DRAWN: Bruce		DATED: 2003/12/04	
CHECKED:		DATED:	
APPROVED:		DATED:	
SCALE: 1:1	SIZE: A3	SHEET: 1 OF 1	

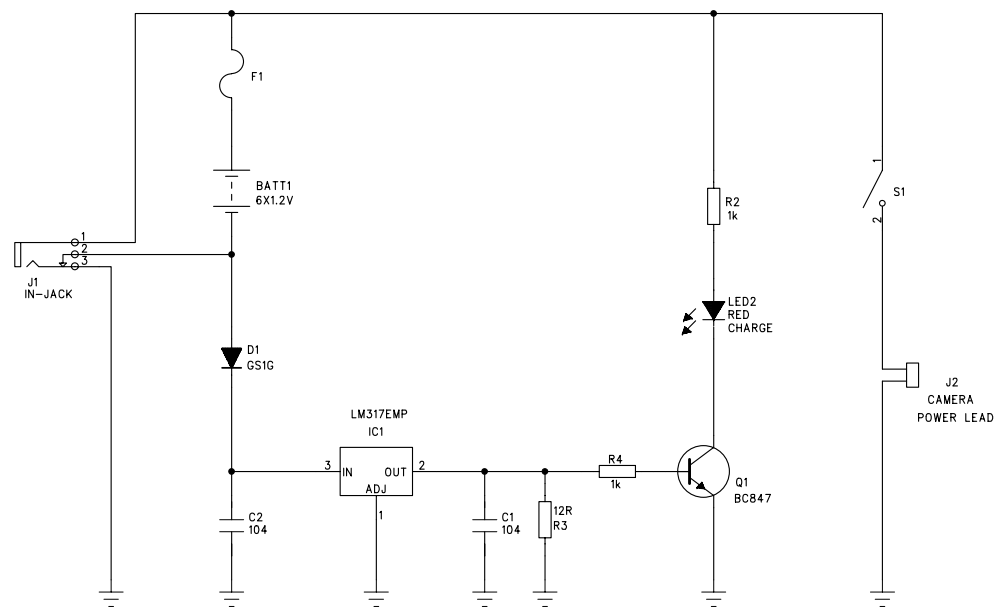


connect to xan507 LED2

COMPANY:	XANBOO		
TITLE:	PIR FOR MCAM		
MODEL NO:	XAN524	REV:	1.1
DRAWN:	Bruce	DATED:	2003/12/04
CHECKED:		DATED:	
APPROVED:		DATED:	
SCALE:	1:1	SIZE:	A3
		SHEET:	1 OF 1



COMPANY: RDI CHINA/XANBOO Inc.	
TITLE: MCAM TX	
MODEL NO: MCAM TX	REV: 1.0
PCB NO: XAN528	REV: 1.3
DRAWN: IVAN	DATED: 2003-09-11
CHECKED:	DATED:
APPROVED:	DATED:
SCALE: 1:1	SIZE: A3 SHEET: 1 OF 1



COMPANY: RDI CHINA/XANBOO Inc.		
TITLE: MCAM Charge unit		
MODEL NO: MCAM Charge	REV: 1.0	
PCB NO: XAN529	REV: 2.0	
DRAWN: IVAN	DATED: 2004-02-12	
CHECKED:	DATED:	
APPROVED:	DATED:	
SCALE: 1:1	SIZE: A3	SHEET: 1 OF 1