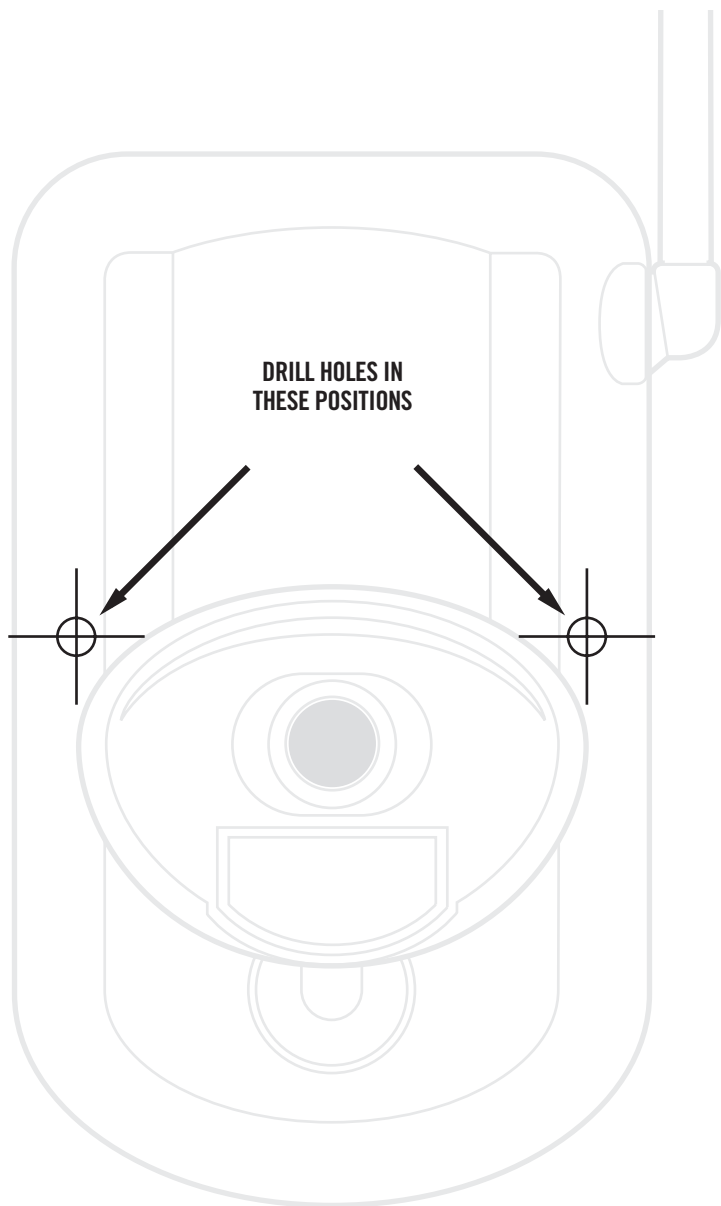


**Exhibit J: Users Manual**  
**Xanboo**  
**Security Camera, Model XWC700**

### DRILLING TEMPLATE FOR WALL MOUNTING CAMERA(S) ///

For wall-mounting Camera(s), drill two holes using a 7/32" drill bit and the template below. Insert supplied wall anchors into holes and secure camera to wall with supplied screws.

Printers and copy machines can affect the scale of this template. Before drilling, compare this template with the actual camera by placing the template on the back of the camera and observing if mounting holes on camera line up exactly with the drill holes on this template.



## WIRELESS CAMERA

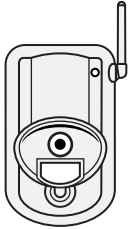


## PRODUCT DESCRIPTION ///

The Shell HomeGenie™ **Wireless Camera** is a 2.4 GHz wireless camera with motion detection.

## PACKAGE CONTENTS ///

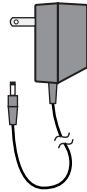
- (1) Shell HomeGenie™ Wireless Camera
- (1) 9V Power Supply
- (1) Wall Mounting Kit



SHELL HOMEGENIE WIRELESS CAMERA



WALL MOUNTING KIT

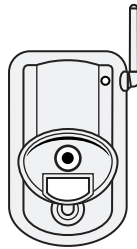


9V CAMERA ADAPTER

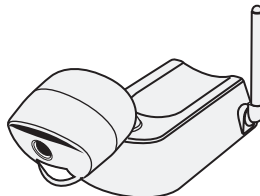
## WALL MOUNTING ///

**NOTE:** Be aware of the length of the power adapter cord before selecting a mounting position.

1. Using the holes on the drilling template on the back page of the manual, mark the position of the holes to be drilled. For drywall or other composite surfaces use a 7/32" drill bit. Drill a hole for each of the mounting screws and insert a plastic wall plug into each hole.
2. Using the screws provided, secure the camera to the wall.
3. Position the camera to view the desired area and plug in the power supply. Please keep in mind that the field of view is 80 degrees and motion sensor distance is up to 30 feet.
4. Any slight adjustments can now be made to the camera viewing angle by tilting and panning the camera head with your hand.
5. It is recommended that the antenna be set fully vertical.



WALL MOUNTED



DESK/TABLETOP MOUNTING

## TABLETOP MOUNTING ///

Alternatively the camera may be placed on a level surface.

1. Plug in the power supply
2. Any slight adjustments can now be made to the camera viewing angle by tilting and panning the camera mirror with your hand.
3. Adjust the antenna as needed. It is recommended that the antenna stay at a 90-degree angle to the base of the camera for the best picture quality.

## TECHNICAL SPECS ///

- High resolution color video camera with motion detection
- All hardware for either wall or ceiling mounting included
- AC or battery operation (batteries not included)
- Auto Brightness, Auto Contrast, Auto White-Balance

TV System:	NTSC or PAL (color) standard
Integrated Lens:	4.3 mm, F2.0 fixed focus
Motion and camera lens:	80 degree field of view
Focus range:	2' - Infinity
Resolution:	360 horizontal TV lines
Signal/Noise Ratio:	48 dB
Image Sensor:	1/3" CMOS
Frequency Range:	2.41 - 2.47GHz
High Speed Electronic Shutter:	1/60 - 1/15,000 sec
Modulation:	FM
Min Illumination:	3 lux
Current Consumption:	approx. 220mA
Channel Selection:	Electronic tuning with PLL
RX Sensitivity:	-102 dBm
Typical free range space:	200 feet
Typical indoor range:	60 feet

## APPROVALS ///

**FCC ID NUMBER: 0U4-XWC700 / IC: 4576A**

## STANDARDS

93/68/EEC, 89/336/EEC, BS EN 50082-1:1992, 73/23/EEC, EN60950:1992 CE

## INSTRUCTIONS TO THE USER:

The user is cautioned that changes and modifications made to the equipment without the approval of manufacturer could void the user's authority to operate this equipment.

This equipment has been tested and found to comply with the limits for a class B digital device, pursuant to part 15 of the FCC Rules. These limits are designed to provide reasonable protection against harmful interference in a residential installation. This equipment generates, uses and can radiate radio frequency energy and if not installed and used in accordance with the instructions, may cause harmful interference to radio communications. However, there is no guarantee that interferences will not occur in a particular installation. If this equipment does cause harmful interference to radio or television reception, which can be determined by turning the equipment off and on, the user is encouraged to try to correct the interference by one or more of the following measures:

- Reorient or relocate the receiving antenna.
- Increase the separation between the equipment and receiver.
- Connect the equipment into an outlet on a circuit different from that to which the receiver is connected.
- Consult the dealer or an experienced radio/TV technician for help.

CE directive 93/68/EEC, EMC directive 89/336/EEC, LV directive 73/23/EEC.

This class B digital apparatus complies with Canadian ICES-003.

The term "IC:" before the certification/registration number only signifies that the Industry Canada technical specifications were met.

Operation is subject to the following two conditions: (1) this device may not cause interference, and (2) this device must accept any interference, including interference that may cause undesired operation of the device.