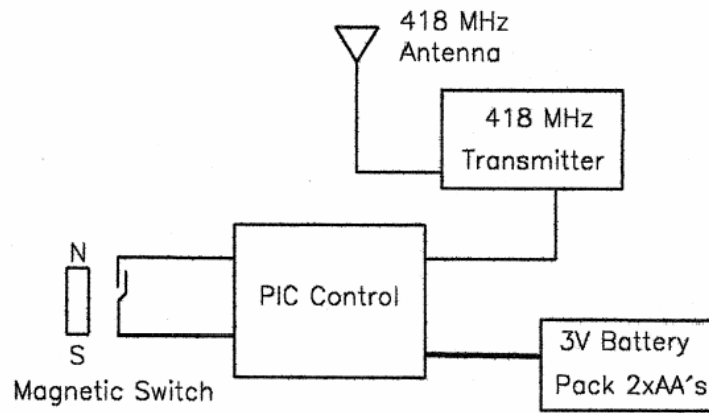


Xanboo XSC501 Functional Diagram US



PTI Project 03194-10

| | | |
|-----------------------|-----------------|---------------|
| Title Xanboo XSC501 | | |
| Size B | Number RDI Labs | Rev A |
| Date: 4-21-2003 | | Drawn by: KEB |
| File Name: XSC501.pcb | | Sheet 1 of 1 |