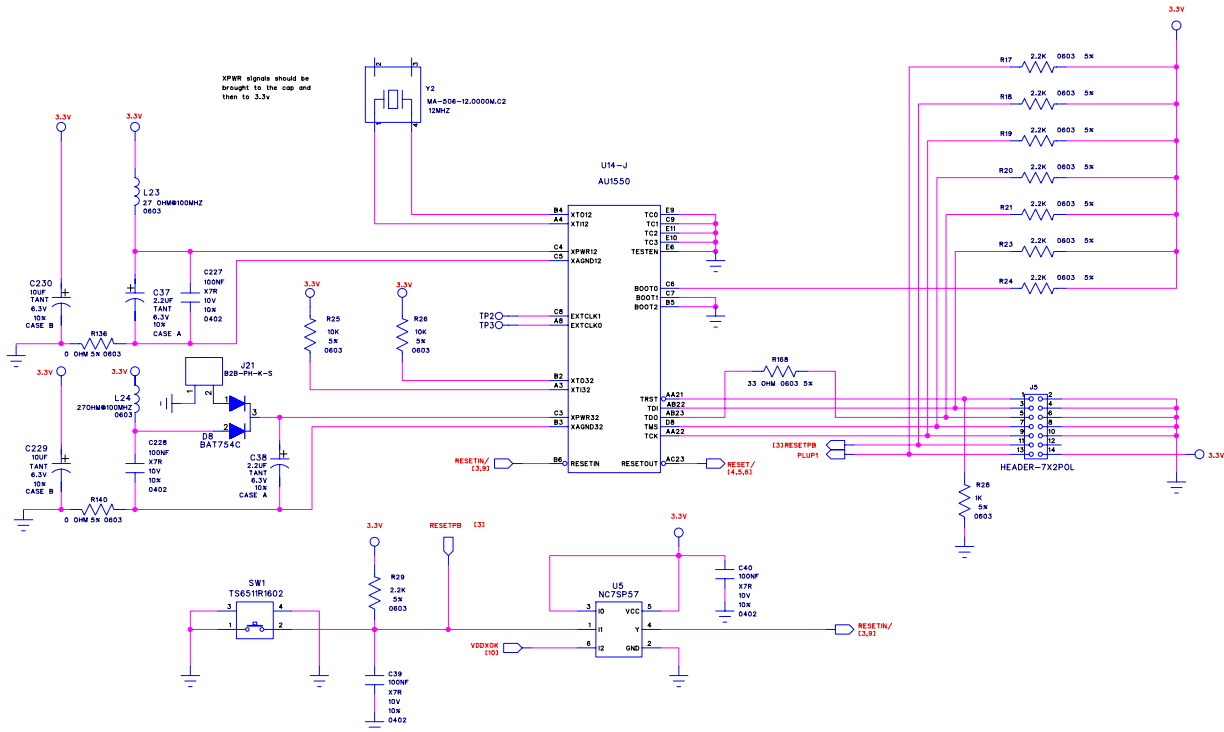
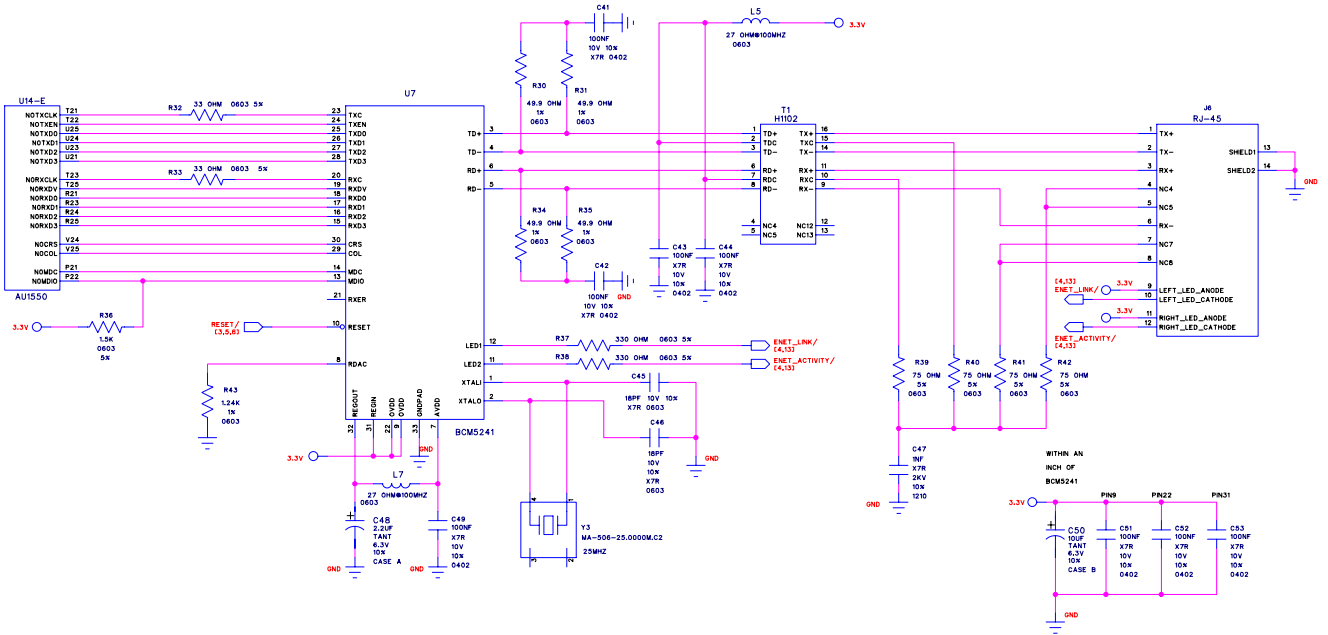


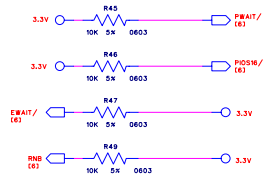
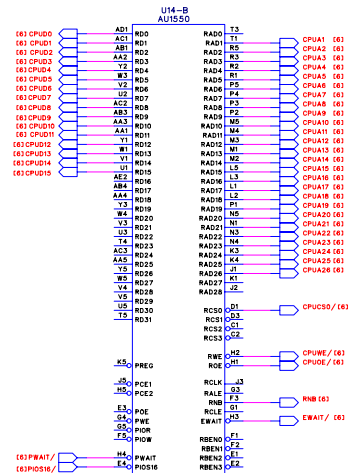
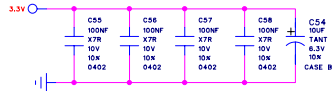
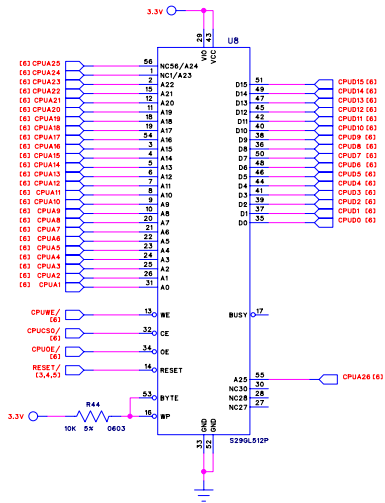
| | | | |
|------------------------|----------|------------|------------|
| COMPANY: | | XANBOO Inc | |
| TITLE: Audio Front End | | | |
| MODEL NO: | KAN632 | REV: | 1.1 |
| DRAWN: | OWEN TAO | DATED: | 2008-09-26 |
| CHECKED: | | DATED: | |
| APPROVED: | | DATED: | |
| SCALE: | 1:1 | SIZE: | A4 |
| | | SHEET: | 1 OF 14 |



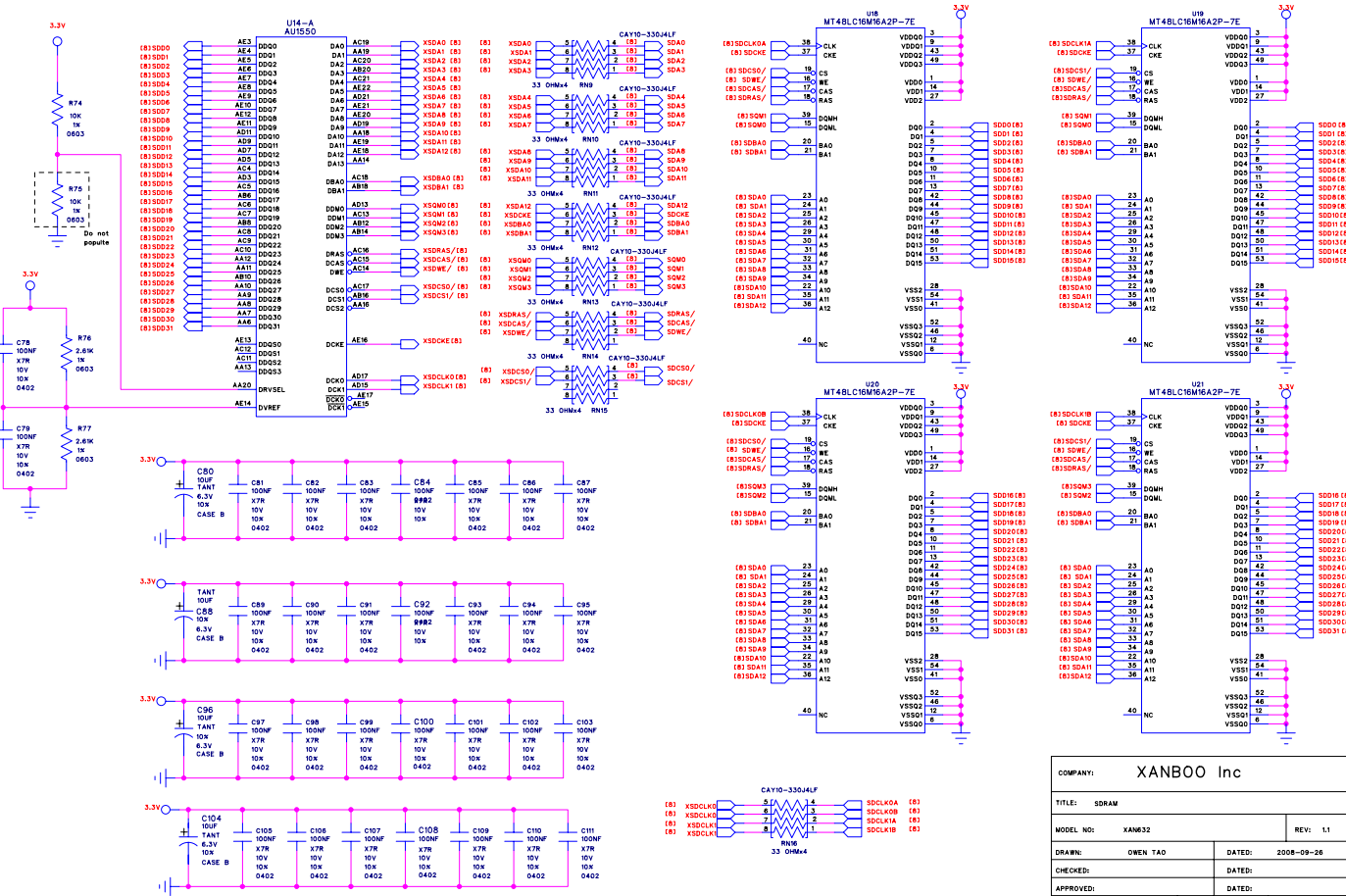
| | |
|-------------------------|-------------------|
| COMPANY: XANBOO Inc | |
| TITLE: CLOCKS AND RESET | |
| MODEL NO: XAN632 | REV: L1 |
| DRAWN: OWEN TAO | DATED: 2008-09-26 |
| CHECKED: | DATED: |
| APPROVED: | DATED: |
| SCALE: 1:1 | SHEET: 3 OF 14 |



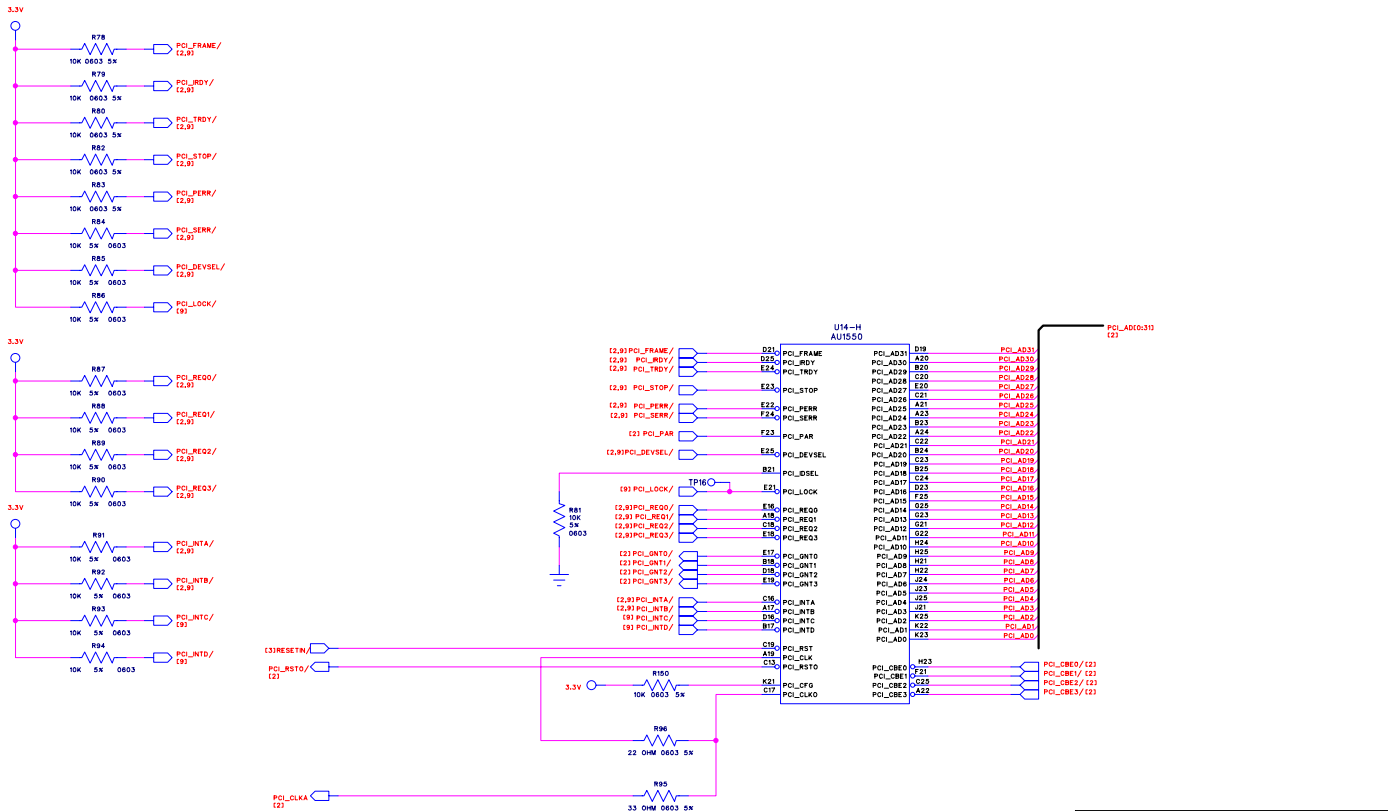
| | |
|---------------------|-------------------|
| COMPANY: XANBOO Inc | |
| TITLE: ETHERNET | |
| MODEL NO: XANB32 | REV: 1.1 |
| DRAWN: OWEN TAO | DATED: 2008-09-26 |
| CHECKED: | DATED: |
| APPROVED: | DATED: |
| SCALE: 1:1 | SHEET: 4 OF 14 |



| | | | |
|---------------------------|----------|------------|------------|
| COMPANY: | | XANBOO Inc | |
| TITLE: NOR and NAND FLASH | | | |
| MODEL NO: | XAN632 | REV: | L1 |
| DRAWN: | OWEN TAO | DATED: | 2008-09-26 |
| CHECKED: | | DATED: | |
| APPROVED: | | DATED: | |
| SCALE: | 1:1 | SIZE: | A4 |
| | | SHEET: | 6 OF 14 |

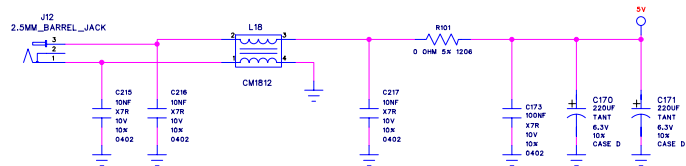


| | | | |
|---------------------|-------------------|----------------|---------|
| COMPANY: XANBOO Inc | | | |
| TITLE: SDRAM | | | |
| MODEL NO: XAN632 | DATE: 2008-09-26 | | REV: L1 |
| DRAWN: OWEN TAO | DATED: 2008-09-26 | | |
| CHECKED: | DATED: | | |
| APPROVED: | DATED: | | |
| SCALE: 1:1 | SIZE: A4 | SHEET: 8 OF 14 | |

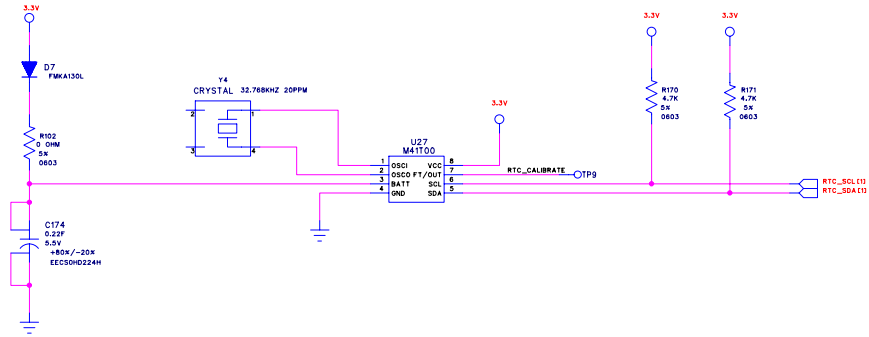


All three clock traces must be equal lengths

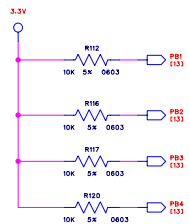
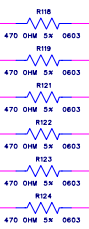
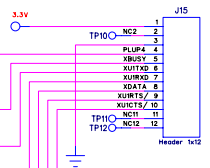
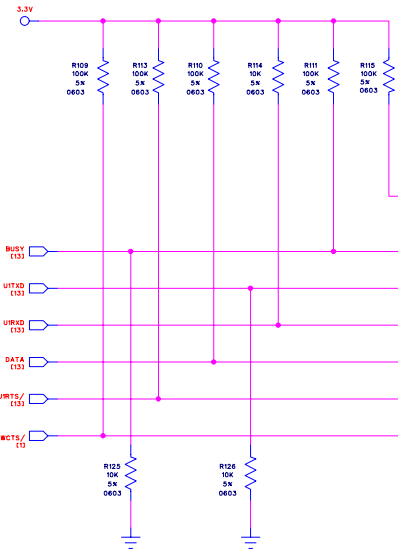
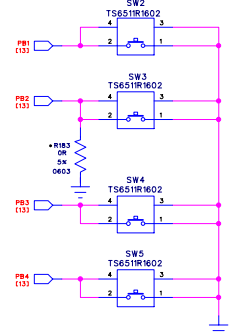
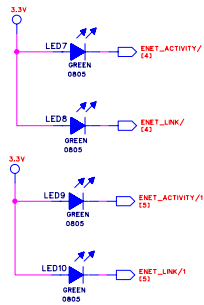
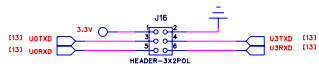
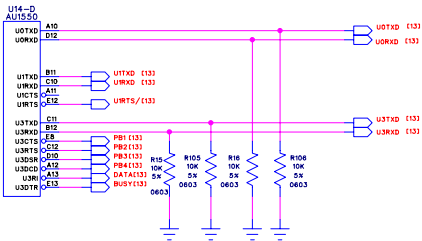
| | |
|---------------------|-------------------|
| COMPANY: XANBOO Inc | |
| TITLE: PCI BUS | |
| MODEL NO: XAN632 | REV: L1 |
| DRAWN: OWEN TAO | DATED: 2008-09-26 |
| CHECKED: | DATED: |
| APPROVED: | DATED: |
| SCALE: 1:1 | SHEET: 9 OF 14 |



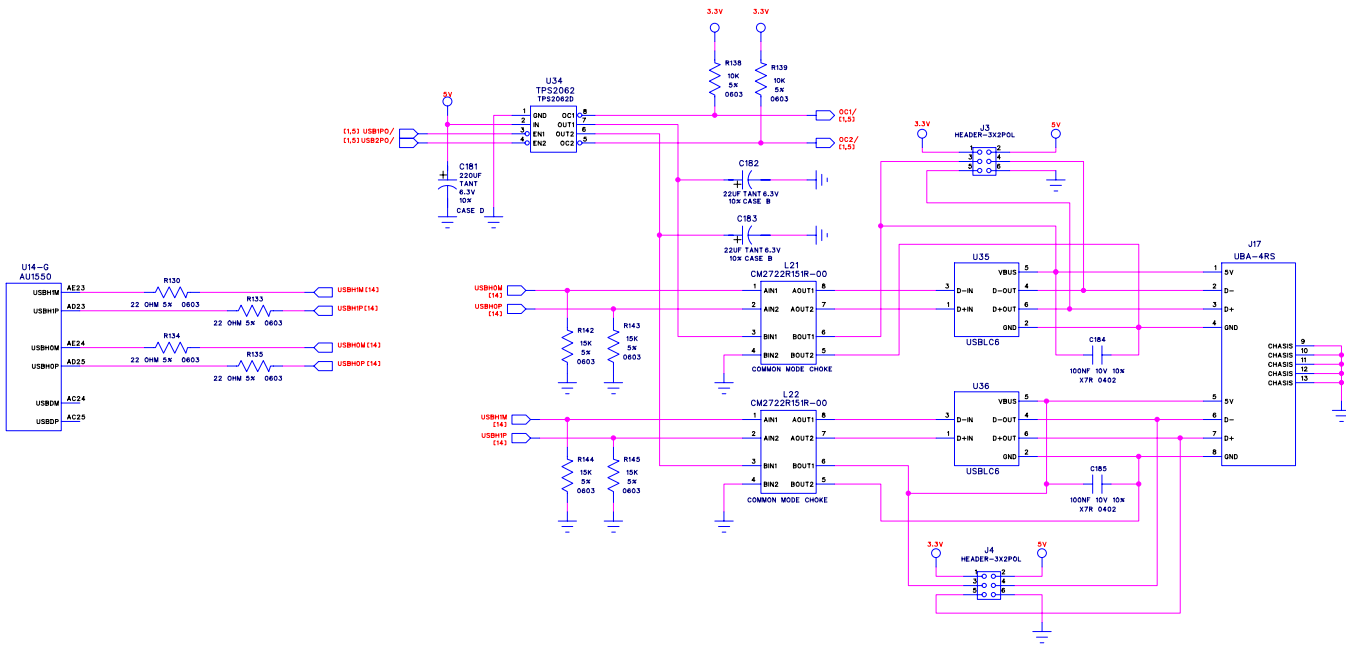
| | | | |
|-------------------------------|----------|------------|------------|
| COMPANY: | | XANBOO Inc | |
| TITLE: 5V SWITCHING REGULATOR | | | |
| MODEL NO: | XANB32 | REV: | 1.1 |
| DRAWN: | OWEN TAO | DATED: | 2008-09-26 |
| CHECKED: | | DATED: | |
| APPROVED: | | DATED: | |
| SCALE: | 1:1 | SIZE: | A4 |
| | | SHEET: | 11 OF 14 |



| | | | |
|------------------------------|----------|-----------------|------------|
| COMPANY: | | XANBOO Inc | |
| TITLE: RTC WITH POWER BACKUP | | | |
| MODEL NO: | XANB32 | REV: | L1 |
| DRAWN: | OWEN TAO | DATED: | 2008-09-26 |
| CHECKED: | | DATED: | |
| APPROVED: | | DATED: | |
| SCALE: | 1:1 | SIZE: | A4 |
| | | SHEET: 12 OF 14 | |

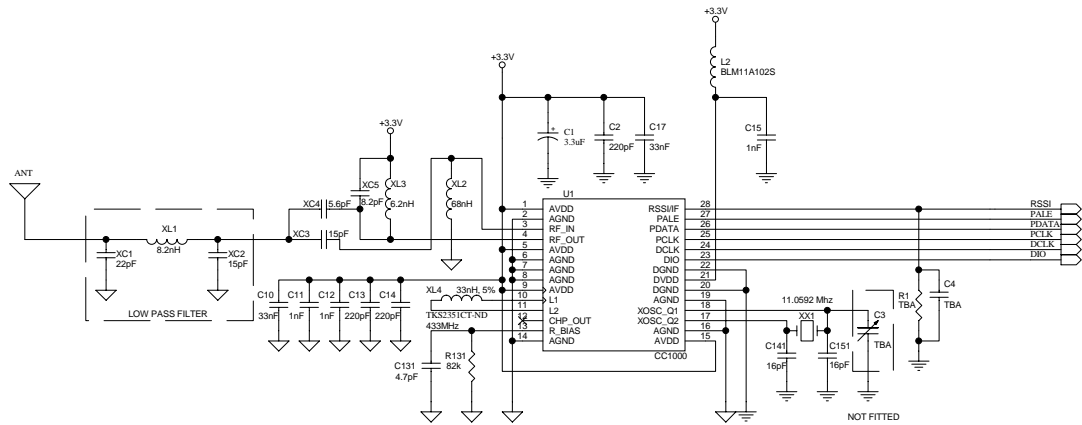


| | |
|-------------------------------------|--------------------------|
| COMPANY: XANBOO Inc | |
| TITLE: SERIAL PORTS AND PUSHBUTTONS | |
| MODEL NO: XANB32 | REV: 1.1 |
| DRAWN: OWEN TAO | DATED: 2008-09-28 |
| CHECKED: | DATED: |
| APPROVED: | DATED: |
| SCALE: 1:1 | SIZE: A4 SHEET: 13 OF 14 |



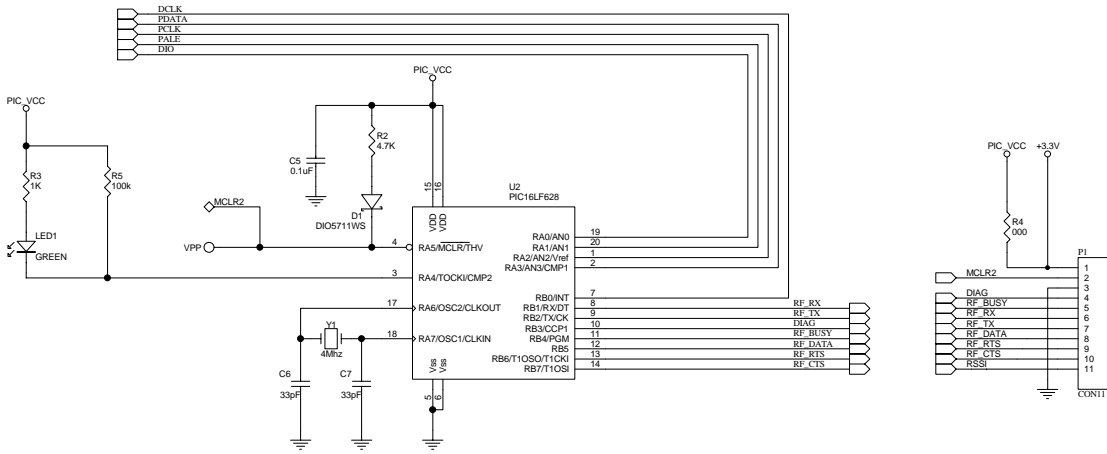
| | | | |
|--------------|----------|------------|------------|
| COMPANY: | | XANBOO Inc | |
| TITLE: USBL1 | | | |
| MODEL NO: | XAN32 | REV: | L1 |
| DRAWN: | OWEN TAO | DATED: | 2008-09-26 |
| CHECKED: | | DATED: | |
| APPROVED: | | DATED: | |
| SCALE: | 1:1 | SIZE: | A4 |
| | | SHEET: | 14 OF 14 |

THIS DOCUMENT AND THE DATA DISCLOSED HEREIN OR HEREWITH IS THE PROPERTY OF XANBOO AND IS NOT TO BE REPRODUCED, USED OR DISCLOSED IN WHOLE OR IN PART WITHOUT THE PERMISSION OF XANBOO. ALL PATENT, PROPRIETARY, DESIGN, USE, SALE, MANUFACTURING AND REPRODUCTION RIGHTS THERE TO ARE RESERVED BY XANBOO.



| | | | |
|--|------------------|--|---|
| XANBOO | | 115 West 30th Street 6th FL., New York, NY 10001 (646) 674 - 3000 | |
| SEE SHEET 1 FOR NOTES AND APPROVALS | | TITLE XAN0408_1_4 CC1000 | |
| PRINT DATE 2004-01-14 | TIME 10:07:24 | SUPERSEDES XAN0408_1_4 | |
| SIZE B | SHEET 1 OF 2 | FILE | DRAWING NO. XAN0408 Rev1.4-02 |

THIS DOCUMENT AND THE DATA DISCLOSED HEREIN OR HEREWITH IS THE PROPERTY OF XANBOO AND IS NOT TO BE REPRODUCED, USED OR DISCLOSED IN WHOLE OR IN PART WITHOUT THE PERMISSION OF XANBOO. ALL PATENT, PROPRIETARY, DESIGN, USE, SALE, MANUFACTURING AND REPRODUCTION RIGHTS THERE TO ARE RESERVED BY XANBOO.



| | | | |
|--|------------------|--|----------------------------------|
| XANBOO | | 115 West 30th Street 6th FL., New York, NY 10001 (646) 674 - 3000 | |
| SEE SHEET 1 FOR NOTES AND APPROVALS | | TITLE XAN0408_1_4 MICROCONTROLLER | |
| PRINT DATE 2004-01-14 | TIME 10:06:51 | SUPERSEDES XAN0408_1_4 | |
| SIZE B | SHEET 2 OF 2 | FILE | DRAWING NO. XAN0408 Rev1.4-02 |