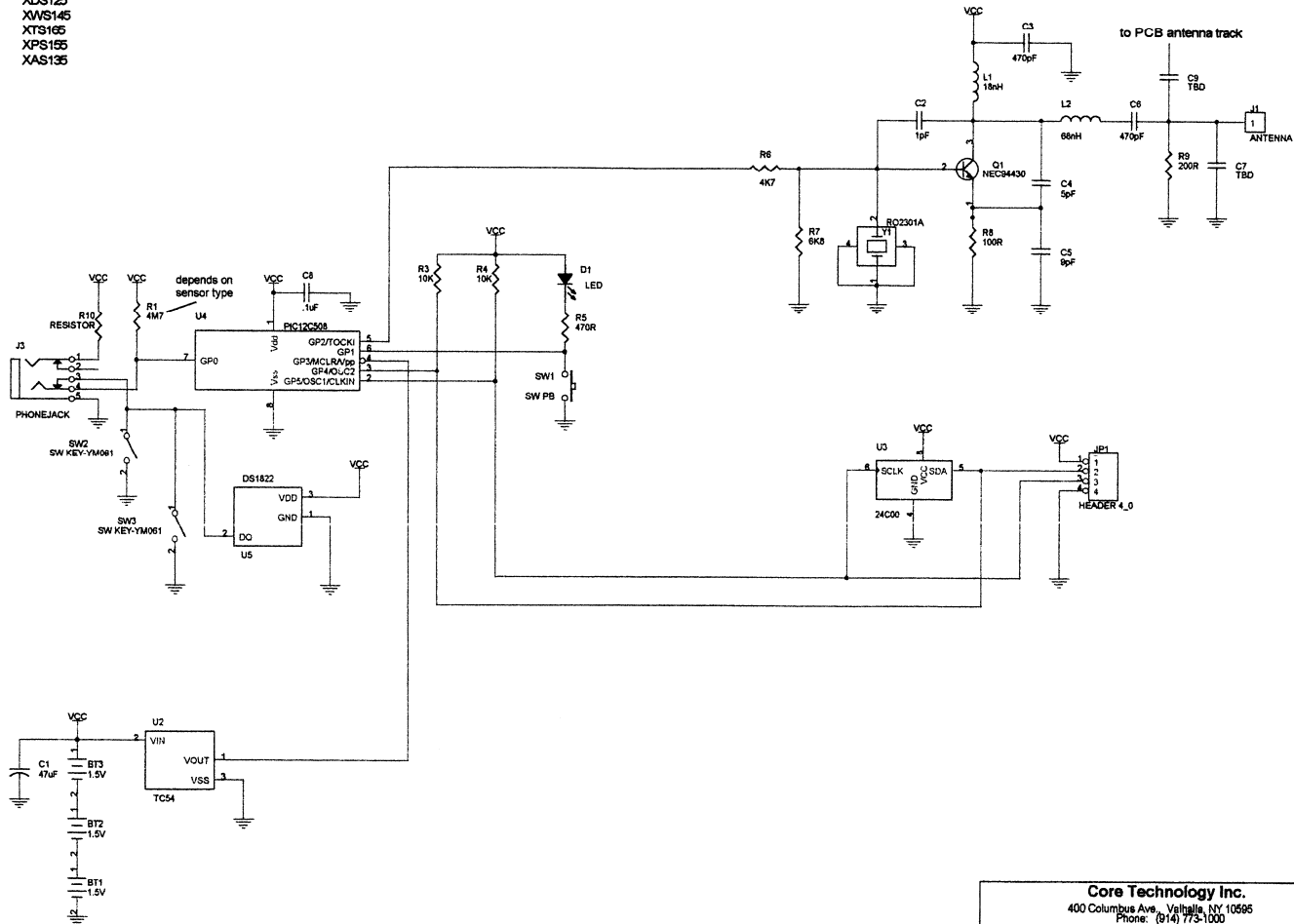


# Composite Sensor

Notes:  
 Circuit use on;  
 XDS125  
 XVS145  
 XTS165  
 XPS155  
 XAS135



<b>Core Technology Inc.</b>	
400 Columbus Ave., Valhalla, NY 10595 Phone: (914) 773-1000	
Tb#	Composite Sensor Schematic
PCB Reference	CORE2000 REV 1.2
Doc#	COMPOSITE SR00002A
Drawn by	JMHR
Rev	1.2
Date:	Monday, April 23, 2001
Sheet	1 of 1