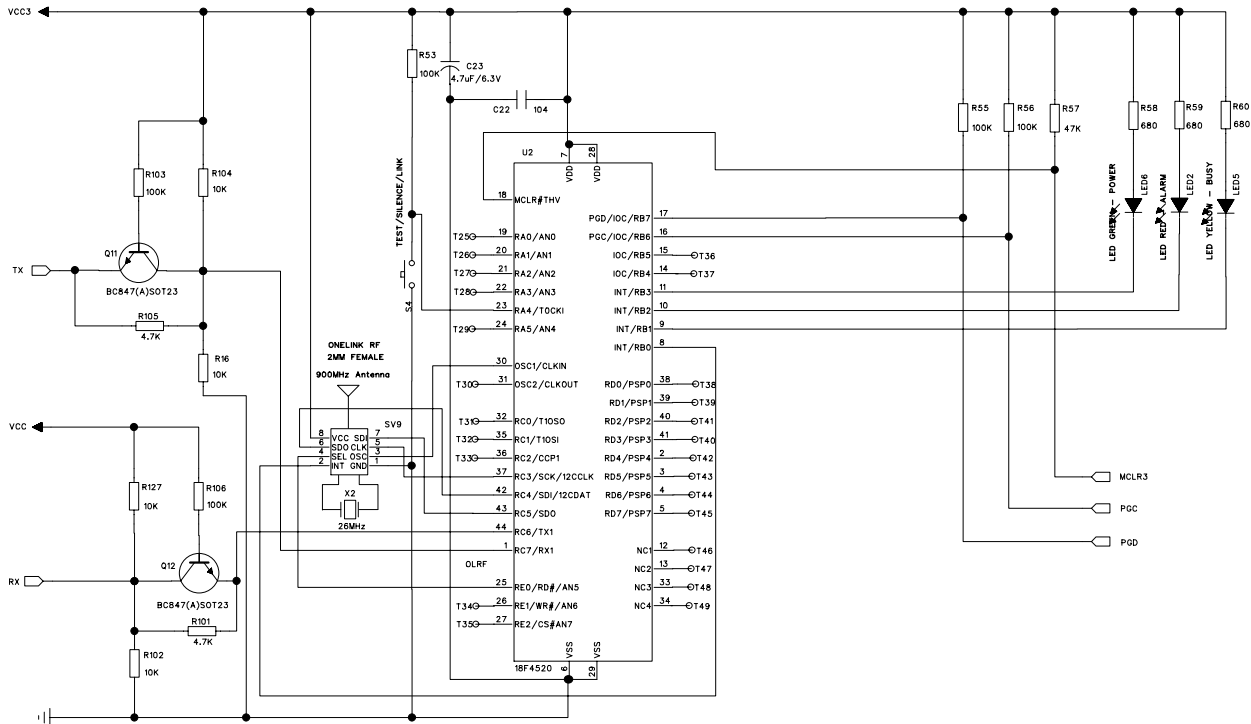


XAN0408 BOARD CONNECTOR

COMPANY: Xanboo Inc	
TITLE: FirstAlert Xanboo bridge	
MODEL NO: XAN630	REV: 1.1
PCB NO: XAN630	REV: 1.1
DRAWN: Owen	DATED: 2009-09-04
CHECKED: BRAD	DATED:
APPROVED:	DATED:
SCALE: 1:1	SIZE: A3
SHEET: 1 OF 3	

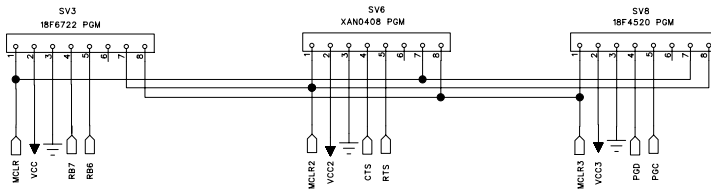
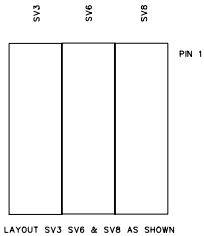
DB9-FEMALE BOARD EDGE PADS ONLY

DO NOT INSTALL:  
IC3, IC4, X2, C3, C4, R10, R20, R21,  
R22, R23, R38, R39, R40, R42,  
IC1,C5,C6,C7,C8,R7,R8,R9,R27,R47,R48



DO NOT INSTALL!  
R16, R101, R102, R105

COMPANY: Xanboo Inc	
TITLE: FirstAlert Xanboo bridge	
MODEL NO: XAN630	REV: 1.1
PCB NO: XAN630	REV: 1.1
DRAWN: Owen	DATED: 2008-09-04
CHECKED: BRAD	DATED:
APPROVED:	DATED:
SCALE: 1:1	SHEET: 2 OF 3



DO NOT INSTALL:  
SV3, SV6, SV8

COMPANY:		Xanboo Inc	
TITLE:		FirstAlert Xanboo bridge	
MODEL NO:	XAN630	REV:	1.1
PCB NO:	XAN630	REV:	1.1
DRAWN:	Owen	DATED:	2009-09-04
CHECKED:	BRAD	DATED:	
APPROVED:		DATED:	
SCALE:	1:1	SIZE:	A3
		SHEET: 3 OF 3	